

TPS61322xx 6.5- μ A Quiescent Current, 1.8-A Switch Current Boost Converter

1 Features

- Operating Input Voltage Range: 0.9 V to 5.5 V
- Output Voltage Range: 1.8 V to 5.5 V
- 6.5- μ A Quiescent Current into VOUT Pin
- $\pm 3\%$ Output Voltage Accuracy over Temperature
- Minimum Switch Peak Current Limit:
 - 0.42 A for TPS613223A
 - 0.5 A for TPS61322
 - 0.6 A for TPS613221A and TPS613226A
 - 1.2 A for TPS613222A
- Higher than 90% Efficiency at 10 mA Load from 1.5-V to 2.2-V Conversion
- Thermal Shutdown Protection
- 2.9-mm x 1.3-mm 3-pin SOT Package and 2.9-mm x 1.6-mm 5-pin SOT Package

2 Applications

- 1-cell to 3-cell Alkaline or NiMH Battery Powered Applications
- Gaming Control
- Tablet
- Portable Personal Electronics
- Medical Equipment

3 Description

The TPS61322xx is a synchronous boost converter with only 6.5- μ A quiescent current. The TPS61322xx provides a power-supply solution for products powered by alkaline battery, NiMH rechargeable battery, or one-cell Li-ion battery. The boost converter is based on a hysteretic control topology using synchronous rectification to obtain maximum efficiency at minimal quiescent current. The TPS61322xx also allows the use of small external inductor and capacitors. Higher than 90% efficiency is achieved at 10mA load from 1.5-V input to 2.2-V output conversion.

The TPS61322xx can also support high output current applications with an external schottky diode. The TPS613222A provides higher than 500 mA output current capability at 3.0 V input voltage to 5.0 V output voltage conversion with an external schottky diode in parallel with the internal rectifier FET.

The output voltage is set internally to a fixed output voltage from 1.8 V to 5.5 V in increment of 0.1 V. Thus it only needs two external components to get the desired output voltage. The TPS61322xx also implements thermal shutdown protection function.

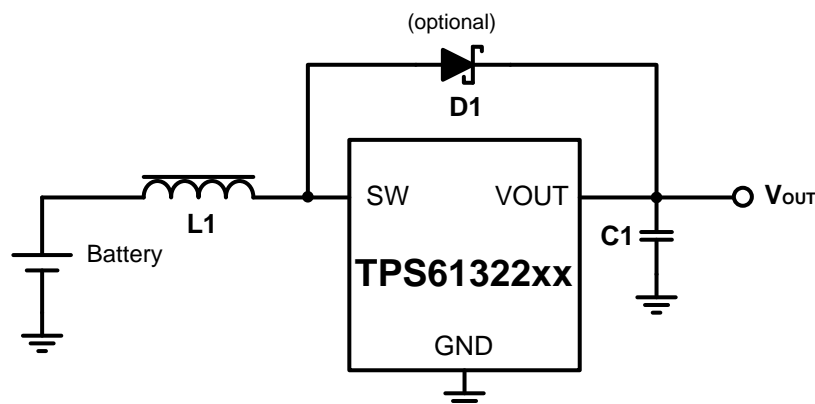
The TPS61322xx is available in a 2.9-mm x 1.3-mm 3-pin SOT package or a 2.9-mm x 1.6-mm 5-pin SOT package.

Device Information⁽¹⁾

PART NUMBER	PACKAGE	BODY SIZE (NOM)
TPS61322xx	3 pin SOT	2.9-mm x 1.3-mm
	5 pin SOT	2.9-mm x 1.6-mm

(1) For all available packages, see the orderable addendum at the end of the data sheet.

Typical Application Circuit



Copyright © 2017, Texas Instruments Incorporated



Table of Contents

1 Features	1	9.1 Application Information.....	9
2 Applications	1	9.2 Typical Application	9
3 Description	1	9.3 System Examples	15
4 Revision History	2	10 Power Supply Recommendations	16
5 Device Comparison Table	3	11 Layout	16
6 Pin Configuration and Functions	3	11.1 Layout Guidelines	16
7 Specifications	4	11.2 Layout Example	16
7.1 Absolute Maximum Ratings	4	12 Device and Documentation Support	18
7.2 ESD Ratings	4	12.1 Device Support	18
7.3 Recommended Operating Conditions	4	12.2 Documentation Support	18
7.4 Thermal Information	4	12.3 Related Links	18
7.5 Electrical Characteristics.....	5	12.4 Receiving Notification of Documentation Updates	18
7.6 Typical Characteristics.....	6	12.5 Community Resources.....	18
8 Detailed Description	7	12.6 Trademarks	18
8.1 Overview	7	12.7 Electrostatic Discharge Caution.....	18
8.2 Functional Block Diagram	7	12.8 Glossary	19
8.3 Feature Description.....	7	13 Mechanical, Packaging, and Orderable	
9 Application and Implementation	9	Information	19

4 Revision History

Changes from Original (September 2017) to Revision A

Page

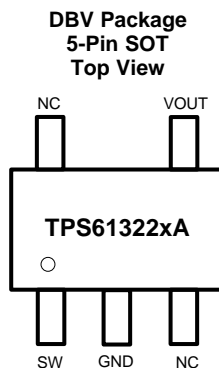
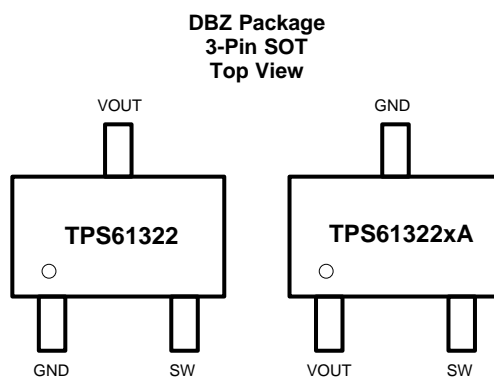
• Production Data release January 2018.	1
----------------------------------------------	----------

5 Device Comparison Table

PART NUMBER	OUTPUT VOLTAGE	TYPICAL CURRENT LIMIT
TPS61322	2.2V	0.75A
TPS613221A ⁽¹⁾	3.3V	0.90A
TPS613222A ⁽¹⁾	5.0V	1.80A
TPS613223A ⁽¹⁾	2.0V	0.63A
TPS613224A ⁽¹⁾	2.5V	0.75A
TPS613225A ⁽¹⁾	3.0V	0.90A
TPS613226A ⁽¹⁾	3.6V	0.90A

(1) Product Preview. Contact TI factory for more information.

6 Pin Configuration and Functions



Pin Functions

PIN			NAME	TYPE	DESCRIPTION
TPS61322	TPS61322xA				
DBZ	DBZ	DBV			
1	3	2	GND	PWR	Ground of the IC.
2	2	1	SW	PWR	The switch pin of the converter. It is connected to the inductor.
3	1	4	VOUT	PWR	Boost converter output.
-	-	3	NC	-	No connection inside the device.
-	-	5	NC	-	No connection inside the device.

7 Specifications

7.1 Absolute Maximum Ratings

over operating free-air temperature range (unless otherwise noted)⁽¹⁾

	MIN	MAX	UNIT
Voltage range at terminals ⁽²⁾ SW, VOUT	-0.3	6.0	V
Operating Junction Temperature, T_J	-40	150	°C
Storage Temperature, T_{stg}	-65	150	°C

- (1) Stresses beyond those listed under *Absolute Maximum Ratings* may cause permanent damage to the device. These are stress ratings only, which do not imply functional operation of the device at these or any other conditions beyond those indicated under *Recommended Operating Conditions*. Exposure to absolute-maximum-rated conditions for extended periods may affect device reliability.
- (2) All voltage values are with respect to network ground terminal.

7.2 ESD Ratings

	VALUE	UNIT
$V_{(ESD)}$ Electrostatic discharge	Human-body model (HBM), per ANSI/ESDA/JEDEC JS-001 ⁽¹⁾	±2000
	Charged-device model (CDM), per JEDEC specification JESD22-C101 ⁽²⁾	±500

- (1) JEDEC document JEP155 states that 500-V HBM allows safe manufacturing with a standard ESD control process.
- (2) JEDEC document JEP157 states that 250-V CDM allows safe manufacturing with a standard ESD control process.

7.3 Recommended Operating Conditions

over operating free-air temperature range (unless otherwise noted)

	MIN	NOM	MAX	UNIT
V_{IN} Input voltage range	0.9		5.5	V
V_{OUT} Output voltage range	1.8		5.5	V
L Inductor (effective)	0.7	2.2	13	μH
C_{OUT} Output capacitor (effective)	4.7	16	100	μF
T_J Operating junction temperature	-40		125	°C

7.4 Thermal Information

THERMAL METRIC ⁽¹⁾	TPS61322	TPS61322xA		UNIT
	DBZ	DBZ	DBV	
	3-PIN	3-PIN	5-PIN	
$R_{\theta JA}$ Junction-to-ambient thermal resistance	322.2	322.2	189.7	°C/W
$R_{\theta JC(top)}$ Junction-to-case (top) thermal resistance	107.0	107.0	109.4	°C/W
$R_{\theta JB}$ Junction-to-board thermal resistance	65.8	65.8	56.5	°C/W
Ψ_{JT} Junction-to-top characterization parameter	7.5	7.5	33.3	°C/W
Ψ_{JB} Junction-to-board characterization parameter	64.5	64.5	56.5	°C/W
$R_{\theta JC(bot)}$ Junction-to-case (bottom) thermal resistance	N/A	N/A	N/A	°C/W

- (1) For more information about traditional and new thermal metrics, see the [Semiconductor and IC Package Thermal Metrics](#) application report.

7.5 Electrical Characteristics

$T_J = -40^{\circ}\text{C}$ to 125°C and $V_{IN} = 0.9\text{V}$ to 5.5V . Typical values are at $V_{IN} = 1.2\text{V}$, $T_J = 25^{\circ}\text{C}$, unless otherwise noted

PARAMETER		TEST CONDITIONS	MIN	TYP	MAX	UNIT	
POWER SUPPLY							
V_{IN}	Input voltage range		0.9		5.5	V	
V_{VOUT_START}	Minimum voltage for startup at VOUT pin	$R_{Load} \geq 250\Omega$, $T_J = -40^{\circ}\text{C}$ to 85°C		0.83	0.87	V	
I_Q	Quiescent current into VOUT pin	$V_{OUT} = 1.2 \times \text{Target}$		6.5	10	μA	
OUTPUT							
V_{OUT}		TPS61322	$V_{IN} < V_{OUT}$, $T_J = -40^{\circ}\text{C}$ to 125°C	2.134	2.2	2.266	V
		TPS613221A ⁽¹⁾	$V_{IN} < V_{OUT}$, $T_J = -40^{\circ}\text{C}$ to 125°C	3.2	3.3	3.4	V
		TPS613222A ⁽¹⁾	$V_{IN} < V_{OUT}$, $T_J = -40^{\circ}\text{C}$ to 125°C	4.85	5.0	5.15	V
		TPS613223A ⁽¹⁾	$V_{IN} < V_{OUT}$, $T_J = -40^{\circ}\text{C}$ to 125°C	1.94	2.0	2.06	V
		TPS613226A ⁽¹⁾	$V_{IN} < V_{OUT}$, $T_J = -40^{\circ}\text{C}$ to 125°C	3.49	3.6	3.71	V
I_{SW_LKG}	Leakage current into SW pin	$V_{SW} = V_{OUT} = 1.2 \times \text{Target}$		3.5		nA	
POWER SWITCH							
$R_{DS(on)_LS}$	Low side switch on resistance	TPS61322		300		$\text{m}\Omega$	
		TPS613221A ⁽¹⁾		200		$\text{m}\Omega$	
		TPS613222A ⁽¹⁾		150		$\text{m}\Omega$	
		TPS613223A ⁽¹⁾		400		$\text{m}\Omega$	
		TPS613226A ⁽¹⁾		190		$\text{m}\Omega$	
$R_{DS(on)_HS}$	High side switch on resistance	TPS61322		1300		$\text{m}\Omega$	
		TPS613221A ⁽¹⁾		1000		$\text{m}\Omega$	
		TPS613222A ⁽¹⁾		750		$\text{m}\Omega$	
		TPS613223A ⁽¹⁾		1680		$\text{m}\Omega$	
		TPS613226A ⁽¹⁾		950		$\text{m}\Omega$	
I_{LIM}	Peak switch current limit	TPS61322		0.50	0.75	1.20	A
		TPS613221A ⁽¹⁾		0.60	0.90	1.40	A
		TPS613222A ⁽¹⁾		1.20	1.80	2.40	A
		TPS613223A ⁽¹⁾		0.42	0.63	0.90	A
		TPS613226A ⁽¹⁾		0.60	0.90	1.40	A
Protection							
T_{SD}	Over-temperature protection	T_J rising		150		$^{\circ}\text{C}$	
T_{SD_HYS}	Over-temperature protection hysteresis			20		$^{\circ}\text{C}$	

(1) Product Preview

7.6 Typical Characteristics

T_J=25°C unless otherwise noted.

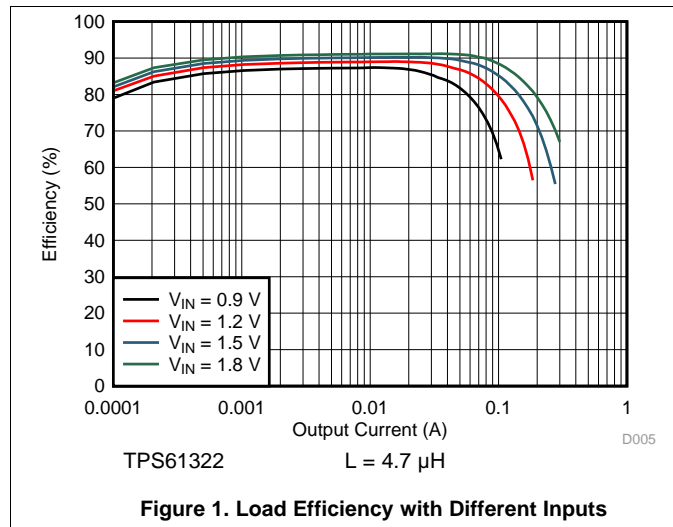


Figure 1. Load Efficiency with Different Inputs

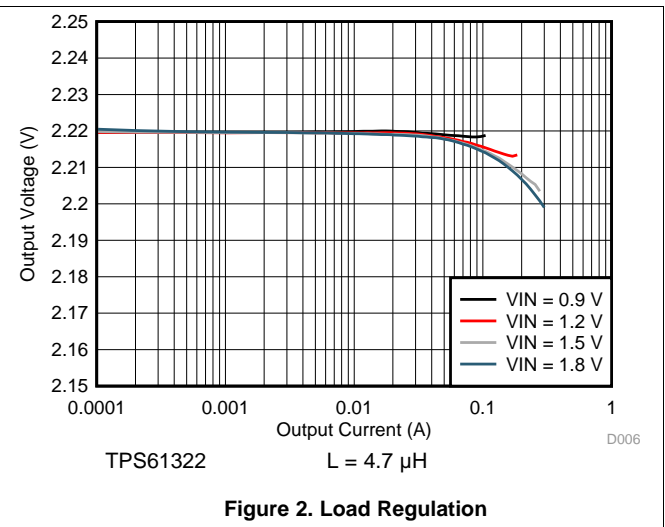


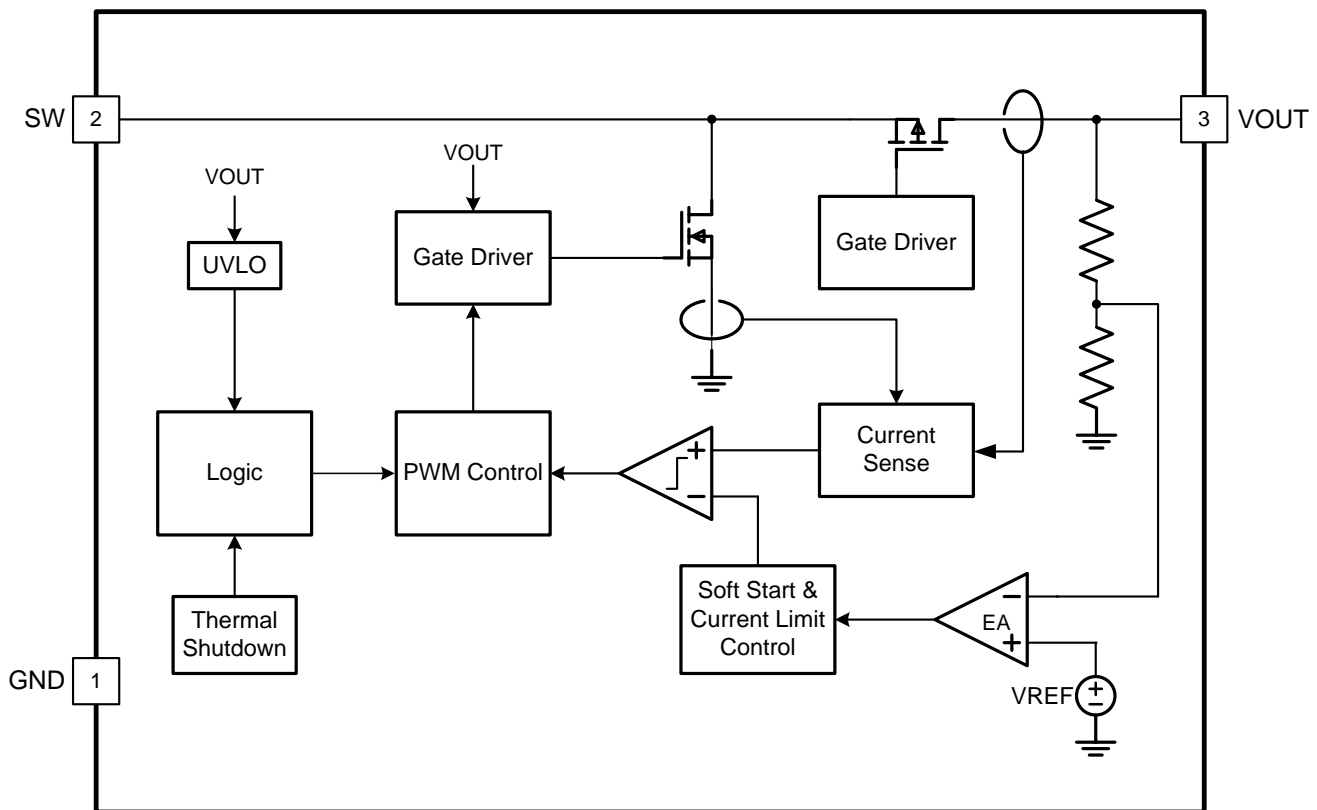
Figure 2. Load Regulation

8 Detailed Description

8.1 Overview

The TPS61322xx is a low quiescent current, high efficiency synchronous boost converter. The TPS61322xx uses hysteretic current control scheme. The TPS61322xx is designed for systems powered by alkaline battery, NiMH rechargeable battery, Li-ion battery or Li-polymer battery. The input voltage range is from 0.9V to 5.5V. After startup is completed, the TPS61322xx can work with the input voltage down to 0.4V. The TPS61322xx consumes only 6.5- μ A quiescent current and achieves high efficiency under light load conditions. The TPS61322xx is designed as an always-on power. Higher than 90% efficiency is achieved under 10mA load from 1.5V input voltage to 2.2V output voltage conversion to extend battery lifetime. The TPS613222A can support as high as 500mA output current from 3.0V input voltage to 5V output voltage conversion with an external schottky diode in parallel with internal high-side MOSFET.

8.2 Functional Block Diagram



Copyright © 2017, Texas Instruments Incorporated

8.3 Feature Description

8.3.1 Soft Start

When the input voltage is applied, the high side MOSFET is turned on. The input voltage charges the output capacitors through the inductor and the high side MOSFET. When the output capacitors are charged to 0.83V typical value, the TPS61322xx starts switching at 1.6MHz fixed frequency and the high side MOSFET is turned off. When the output voltage goes up to typical 1.6V, an internal softstart control circuit ramps the reference voltage to 0.8V within 2ms. In this way, the soft start function reduces the input inrush current. After the output voltage reaches the target value, soft start ends and the inductor peak current is determined by the output of an internal error amplifier. After startup, the TPS61322xx can work with the input voltage down to 0.4V.

Feature Description (continued)

8.3.2 Boost Controller Circuit

The TPS61322xx boost converter is controlled by a hysteretic current mode scheme. The TPS61322xx regulates the output voltage by keeping the inductor ripple constant of 200mA typical value and adjusting the offset of this inductor current depending on the output load. If the required average input current is lower than average inductor current defined by this constant ripple current, the inductor current becomes discontinuous to keep the efficiency high under light load conditions. Figure 3 illustrates the hysteretic current operation.

The output voltage V_{OUT} is monitored via the internal feedback network which is connected to a voltage error amplifier. To regulate the output voltage, the voltage error amplifier compares this feedback voltage to the internal voltage reference and adjusts the required offset of the inductor current accordingly.

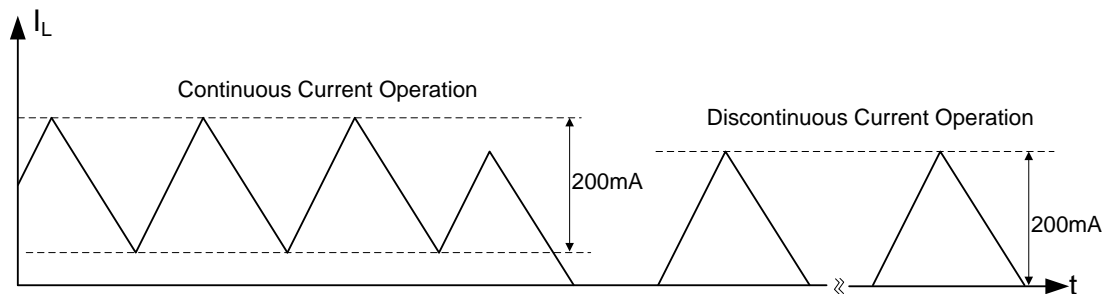


Figure 3. Hysteretic Current Operation

The TPS61322xx boost converter can increase the output load capacity by connecting an external schottky diode from SW pin to VOUT pin. Higher than 500mA output current is supported for 5-V output voltage applications such as USB OTG and HDMI power supply. For such applications, an adaptive constant off time circuit will generate the signal to turn off high-side FET. The inductor current ripple is greater than 200mA if with this external diode. A higher inductance can help reduce the inductor current ripple.

8.3.3 Under-voltage Lockout

An undervoltage lockout function stops operation of the converter if the input voltage drops below the typical undervoltage lockout threshold of 0.4V while the output voltage is still higher than 1.8V. A hysteresis of 100mV is added so that the device will not switch again until the input voltage goes up to 0.5V.

8.3.4 Current Limit Operation

The TPS61322xx employs cycle-by-cycle peak current limit operation. If the inductor peak current hits the peak current limit I_{LIM} , the low side MOSFET is turned off and stops the further increase of the inductor current. In this case the output voltage will drop until power balance between the input side and output side is achieved. If the output voltage drops below the input voltage, the inductor current will be clamped by the DCR of the inductor and the on resistance ($R_{ds,on}$) of the high side MOSFET.

8.3.5 Over Temperature Protection

The TPS61322xx has a built-in temperature sensor which monitors the internal junction temperature in boost mode operation. If the junction temperature exceeds the threshold 150°C, the device stops operating. As soon as the junction temperature drops below the shutdown temperature minus the hysteresis, typically 130 °C, the device starts operating again.

9 Application and Implementation

NOTE

Information in the following applications sections is not part of the TI component specification, and TI does not warrant its accuracy or completeness. TI's customers are responsible for determining suitability of components for their purposes. Customers should validate and test their design implementation to confirm system functionality.

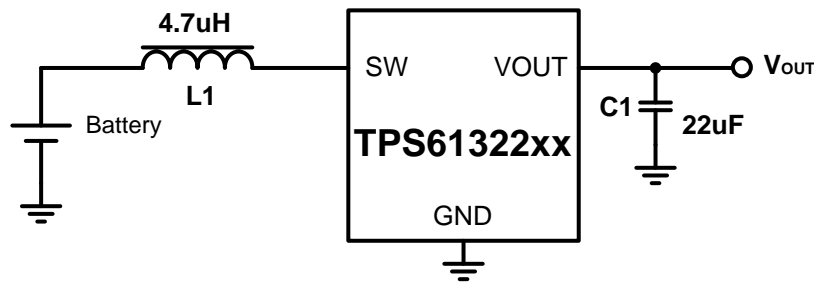
9.1 Application Information

The TPS61322xx is designed to operate at a wide input voltage range from 0.9-V to 5.5-V. The minimum peak switch current limit is 0.5A for TPS61322, with 0.6A for TPS613221A and 1.2A for TPS613222A. The TPS61322xx supports output voltage from 1.8V to 5.5V with increment of 0.1V, refer to [Device Comparison Table](#) for part details and select the right device for the target applications. Use the following design procedure to select component values for the TPS61322xx.

9.2 Typical Application

9.2.1 Boost without Schottky Diode

A typical application example is the wireless mouse, which normally requires 2.2-V voltage as its supply voltage and consumes less than 50 mA current from one cell alkaline battery. The following design procedure can be used to select external component values for TPS61322xx.



Copyright © 2017, Texas Instruments Incorporated

Figure 4. Typical Application Circuit without Schottky Diode

9.2.1.1 Design Requirements

Table 1. Design Requirements

PARAMETERS	VALUES
Input Voltage	0.9 V ~1.6 V
Output Voltage	2.2 V
Output Current	50 mA
Output Voltage Ripple	± 10 mV

9.2.1.2 Detailed Design Procedure

9.2.1.2.1 Maximum Output Current

For boost converters, the maximum output current capability is determined by the input to output ratio, the efficiency, the inductor current ripple and the current limit. The maximum output current can be estimated by [Equation 1](#)

$$I_{OUT (max)} = \frac{V_{IN} \times (I_{LIM} - \frac{I_{LH}}{2}) \times \eta}{V_{OUT}}$$

where

- I_{LIM} is the peak inductor current limit.
 - I_{LH} is the inductor current ripple
 - η is the boost converter power convert efficiency
- (1)

Minimum input voltage, maximum boost output voltage and minimum current limit should be used as the worst case condition for the estimation.

In this example, assume the power efficiency is 70% at the minimum input voltage of 0.9V. The calculated maximum output current is 114mA, which satisfies the application requirements.

9.2.1.2.2 Inductor Selection

Because the inductor affects steady state operation, transient behavior, and loop stability, the inductor is the most important component in power regulator design. There are three important inductor specifications, inductor value, saturation current, and dc resistance (DCR).

The TPS61322xx is optimized to work with inductor values between 0.7 μ H and 13 μ H. The inductor values affect the switching frequency. The estimated switching frequency in continuous conduction mode (CCM) can be calculated by [Equation 2](#). The switching frequency f_{SW} is not a constant value, which is determined by the inductance, the inductor current ripple, the input voltage and the output voltage. The current ripple I_{LH} is fixed to 200mA typically, but it can be affected by the inductor value indirectly. Normally when a smaller inductor value is applied, the inductor current ramps up and down more quickly. The current ripple becomes bigger because the internal current comparator has delay to respond. If a smaller inductor peak current is required in applications, a higher inductor value can be used. However, The inductor and output capacitor must be considered together for the loop stability. The output capacitor and the inductance will influence the bandwidth and phase margin of the converter. Consequently, with a larger inductor, a bigger capacitor normally should be used to ensure the same L/C ratio for a stable loop. For best stability consideration, a 4.7- μ H inductor is recommended for 2.2-V output voltage application.

$$f_{SW} = \frac{V_{IN} \times (V_{OUT} - V_{IN} \times \eta)}{L \times I_{LH} \times V_{OUT}}$$

where

- f_{SW} is the switching frequency of the converter
 - I_{LH} is the inductor current ripple
 - η is the boost converter power convert efficiency
- (2)

Having selected the inductance value, follow [Equation 3](#) to [Equation 5](#) to calculate the inductor's peak current for the application. Depending on different load conditions, the TPS61322xx works in continuous current mode or discontinuous conduction mode (DCM). In different modes, the peak currents of the inductor are also different. [Equation 3](#) provides an easy way to estimate whether the device works in CCM or DCM. [Equation 4](#) shows the peak current when the device works in CCM and [Equation 5](#) shows the peak current when the device works in DCM.

$$\frac{V_{OUT} \times I_{OUT}}{V_{IN} \times \eta} > \frac{I_{LH}}{2}$$

where

- I_{LH} is the inductor current ripple
 - η is the boost converter power convert efficiency
- (3)

$$I_{L,peak} = \frac{V_{OUT} \times I_{OUT}}{V_{IN} \times \eta} + \frac{I_{LH}}{2}$$

where

- $I_{L,peak}$ is the peak current of the inductor
- I_{LH} is the inductor current ripple

- η is the boost converter power convert efficiency

$$I_{L,peak} = I_{LH} \quad (4)$$

where

- $I_{L,peak}$ is the peak inductor.
 - I_{LH} is the inductor current ripple
- (5)

The saturation current of the inductor must be higher than the calculated peak inductor current, otherwise the excessive peak current in the inductor harms the device and reduces the system reliability.

In this example, the maximum load for the boost converter is 50 mA, the minimum input voltage is 0.9 V, and the efficiency under this condition can be estimated at 80%, so the boost converter works in continuous operation mode by the calculation. The inductor peak current is calculated as 258 mA. To have some margin, a 4.7- μ H inductor with at least 300 mA saturation current is recommended for this application. A 10- μ H inductor can be used as well by increasing the output capacitance to higher than 22 μ F to make the loop stable. [Table 2](#) lists the recommended inductors for TPS61322xx device.

Table 2. List of Inductors

INDUCTANCE [μ H]	SATURATION CURRENT [A]	DC RESISTANCE [m Ω]	SIZE (LxWxH)	PART NUMBER	MANUFACTURER ⁽¹⁾
4.7	1.7A	165	2.5mm x 2.0mm x 1.2mm	DFE252012P-4R7M=P2	MURATA
4.7	1.5A	141	3.0mm x 3.0mm x 1.5mm	74438335047	Wurth
4.7	1.5A	209	2.5mm x 2.0mm x 1.2mm	SDEM25201B-4R7MS	CYNTEC

(1) See [Third-party Products Disclaimer](#)

9.2.1.2.3 Capacitor Selection

For better output voltage filtering, low ESR X5R or X7R ceramic capacitors are recommended.

For the output capacitor at the VOUT pin, small ceramic capacitors are recommended. The capacitors should be placed as close as possible to the VOUT and GND pins of the device. If, for any reason, the application requires the use of large capacitors which cannot be placed close to the device, the use of a small ceramic capacitor with a capacitance value of 1 μ F in parallel to the large one is recommended. This small capacitor should be placed as close as possible to the VOUT and GND pins of the device.

Considering loop stability, for inductance of 4.7 μ H, the minimal output capacitor value is 10- μ F (effective value). Refer to [Table 3](#) for inductor and capacitor combination. Increasing the output capacitor makes the output ripple smaller.

When selecting capacitors, ceramic capacitor's derating effect under DC bias voltage should be considered. Choose the right nominal capacitance by checking capacitor's DC bias characteristics. In this example, GRM188R60J106ME84D, which is a 10- μ F ceramic capacitor with high effective capacitance value at DC biased condition, is selected for V_{OUT} rail. Two 10- μ F capacitors in parallel is recommended to get the desired effective capacitance.

Table 3. List of Inductor and Capacitor

INDUCTANCE [μ H]	CAPACITANCE [μ F]	LOAD [mA]	PACKAGE	PART NUMBER	MANUFACTURER ⁽¹⁾
1.0	2x10	50mA	0603	GRM188R60J106ME84D	MURATA
2.2	2x10	50mA	0603	GRM188R60J106ME84D	MURATA
4.7	22	50mA	0805	GRM21BZ71A226ME15	MURATA

(1) See [Third-party Products Disclaimer](#)

9.2.1.3 Application Curves

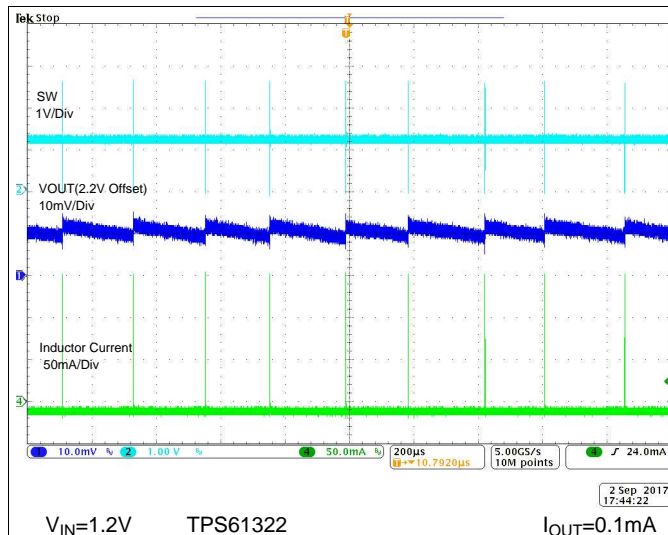


Figure 5. Switching Waveform at Light Load

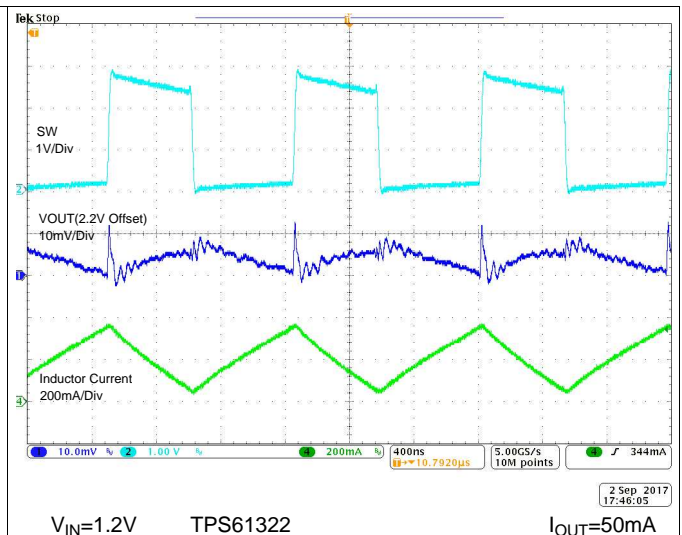


Figure 6. Switching Waveform at Heavy Load

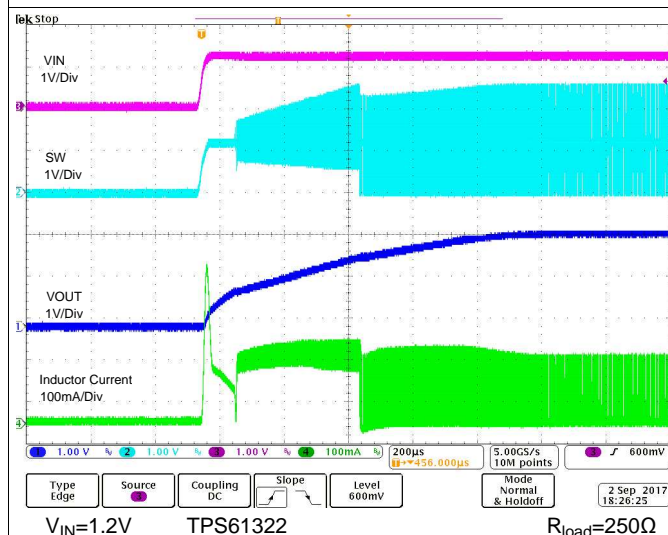


Figure 7. Startup by VIN

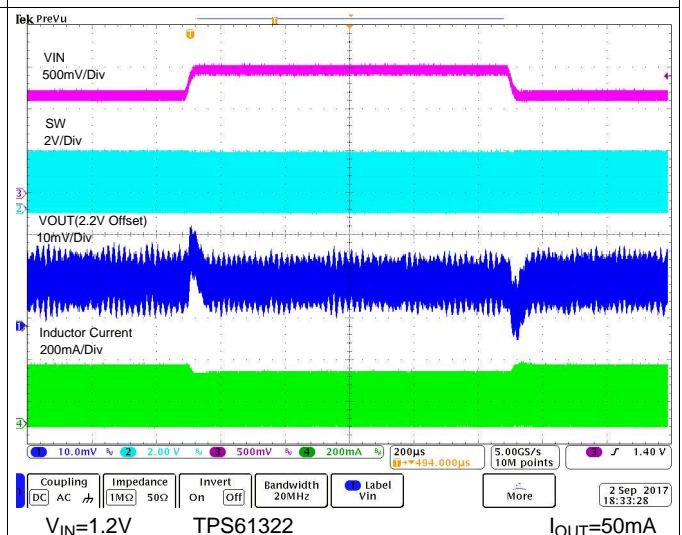


Figure 8. Line Transient

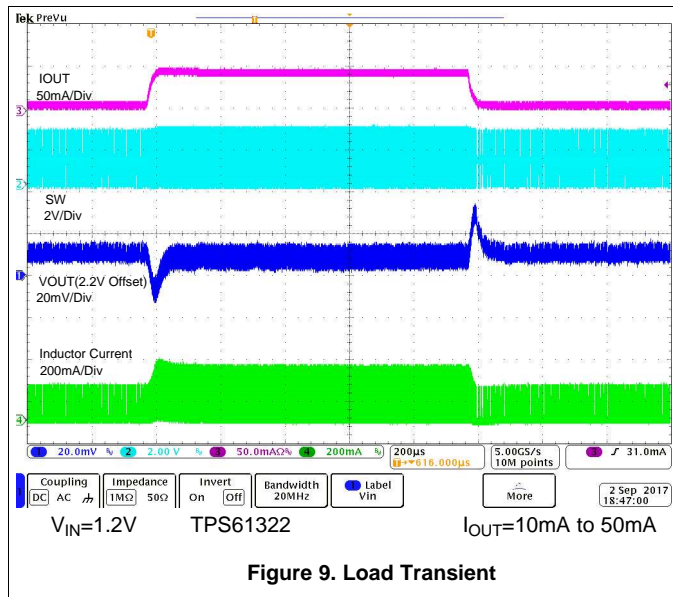


Figure 9. Load Transient

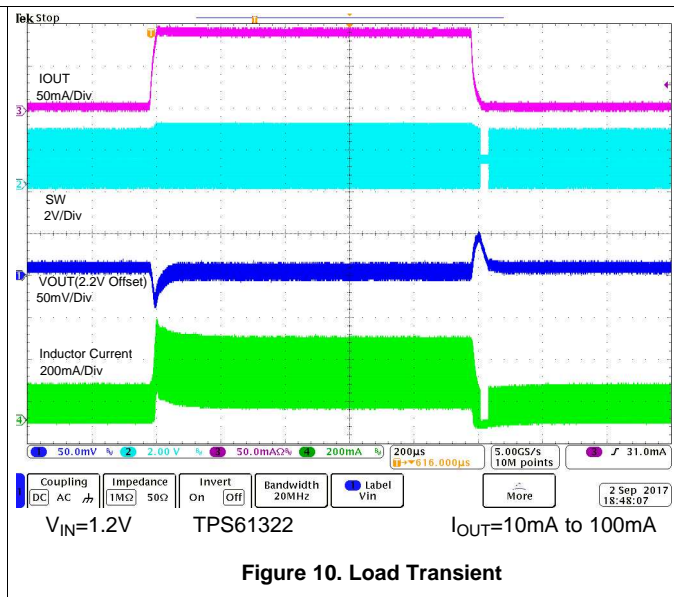


Figure 10. Load Transient

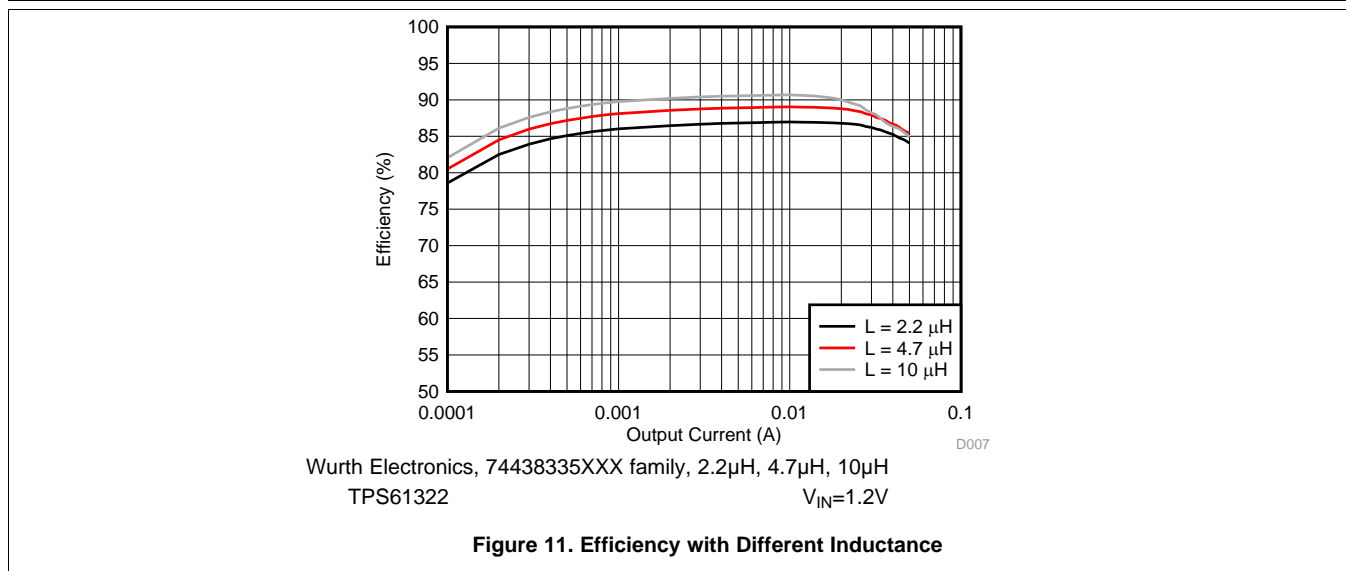
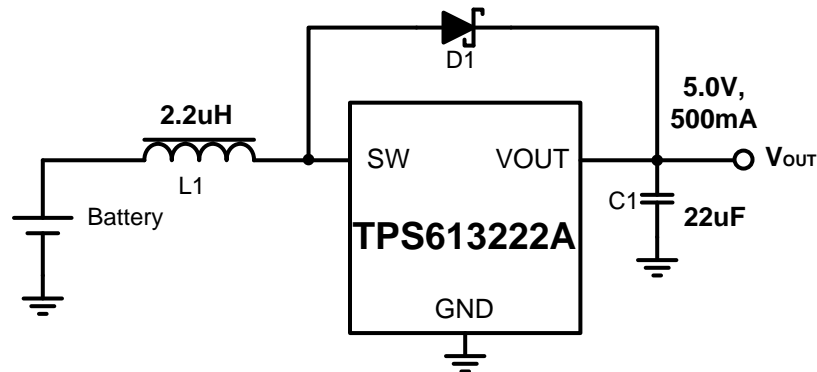


Figure 11. Efficiency with Different Inductance

9.2.2 Boost with Schottky Diode

Another typical application example is the USB OTG which normally requires 5.0-V output as its supply voltage and consumes as high as 500 mA current. The following design procedure can be used to select external component values for this application.



Copyright © 2017, Texas Instruments Incorporated

Figure 12. Typical Application Circuit with Schottky Diode

9.2.2.1 Design Requirements

Table 4. Design Requirements

PARAMETERS	VALUES
Input Voltage	3.0 V ~4.35 V
Output Voltage	5.0 V
Output Current	500 mA
Output Voltage Ripple	± 25 mV

9.2.2.2 Detailed Design Procedure

9.2.2.2.1 Inductor Selection

The peak current is calculated according to Equation 4 and Equation 5. The saturation current of the inductor must be higher than the calculated peak inductor current.

In this example, the maximum load for the boost converter is 500mA, and the minimum input voltage is 3.0V. Assuming the efficiency under this condition is 90%, and a typical 2.2µH inductor is adopted in this application, so the boost converter works in continuous operation mode by the calculation. The current ripple is 500mA and the inductor peak current is calculated as 1.18A. To leave some margin, a 2.2µH inductor with at least 1.4A saturation current is recommended for this application. Table 5 lists the recommended inductors for TPS613222A device.

Table 5. List of Inductors

INDUCTANCE [µH]	SATURATION CURRENT [A]	DC RESISTANCE [mΩ]	SIZE (L×W×H)	PART NUMBER	MANUFACTURER ⁽¹⁾
2.2	2.3A	82	2.5mm × 2.0mm × 1.2mm	DFE252012F-2R2M	MURATA
2.2	2.4A	89	2.5mm × 2.0mm × 1.0mm	HMLQ25201T-2R2MSR	CYNTEC
2.2	2.5A	75	3.2mm × 2.5mm × 1.2mm	HMME32251B--2R2MS	CYNTEC

(1) See [Third-party Products Disclaimer](#)

9.2.2.2.2 Schottky Diode Selection

The high switching frequency of TPS61322xx demands a high-speed rectifying switch for optimum efficiency. Ensure that the average and peak current rating of the diode exceeds the average output current and peak inductor current. In addition, the reverse breakdown voltage of the diode must exceed the maximum output voltage of the converter.

9.2.2.2.3 Capacitor Selection

Refer to section 9.2.1.2.3 [Capacitor Selection](#) for the detailed design steps. [Table 6](#) lists the recommended inductor and capacitor combination. Three 10- μF capacitors in parallel is recommended to get the desired effective capacitance.

Table 6. List of Inductor and Capacitor

INDUCTANCE [μH]	CAPACITANCE [μF]	LOAD [mA]	PACKAGE	PART NUMBER	MANUFACTURER ⁽¹⁾
1.0	3x10	500mA	0603	GRM188R60J106ME84D	MURATA
2.2	3x10	500mA	0603	GRM188R60J106ME84D	MURATA
4.7	2x22	500mA	0805	GRM21BZ71A226ME15	MURATA

(1) See [Third-party Products Disclaimer](#)

9.3 System Examples

TPS61322xx can be easily shut down with an external switch Q1 as shown in [Figure 13](#). The switch can be mechanical switch, a P-channel MOSFET, or a PNP transistor. For a mechanical switch, there is no control logic circuit needed to turn on or turn off the switch.

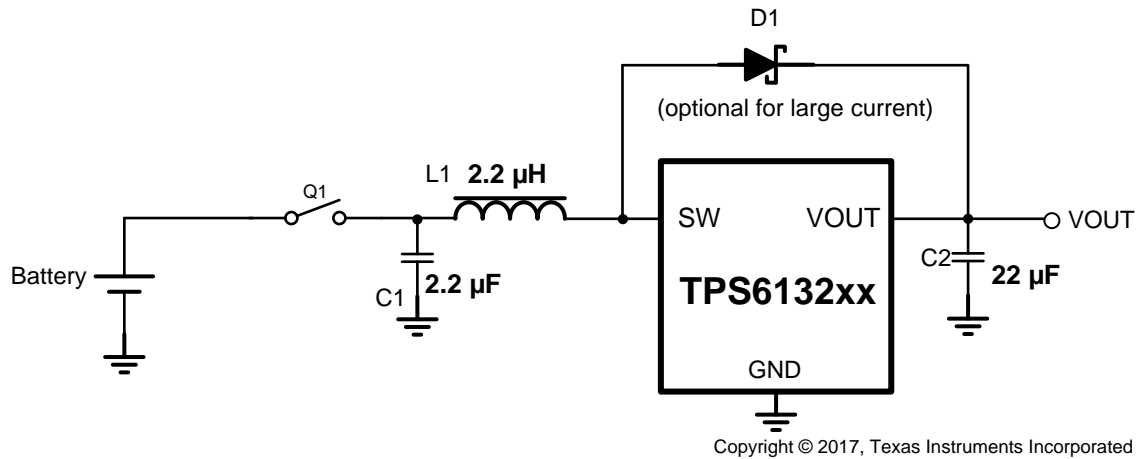


Figure 13. True Shutdown for TPS61322xx

9.3.1 Detail Design Schematic

The [Figure 14](#) shows the application circuit when the power supply of the micro controller unit (MCU) is not less than the battery voltage. The [Figure 15](#) shows the application circuit when the power supply of the micro controller unit (MCU) is less than the battery voltage

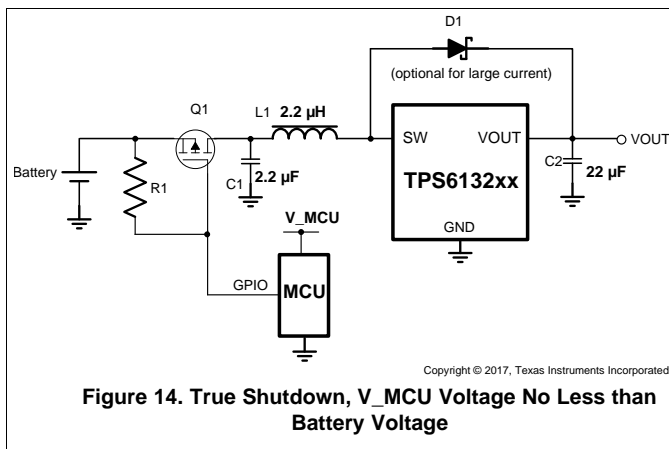


Figure 14. True Shutdown, V_MCU Voltage No Less than Battery Voltage

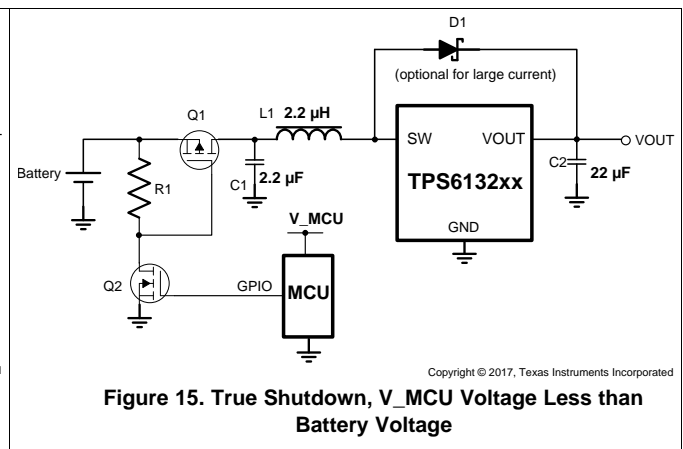


Figure 15. True Shutdown, V_MCU Voltage Less than Battery Voltage

10 Power Supply Recommendations

The TPS61322xx is designed to operate from an input voltage supply range between 0.9V to 5.5V. The power supply can be alkaline battery, NiMH rechargeable battery, Li-Mn battery or rechargeable Li-ion battery. The input supply should be well regulated with the rating of the TPS61322xx.

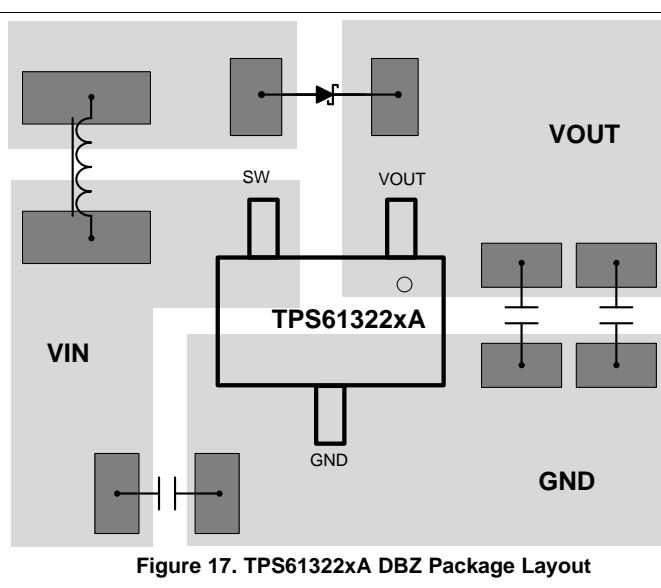
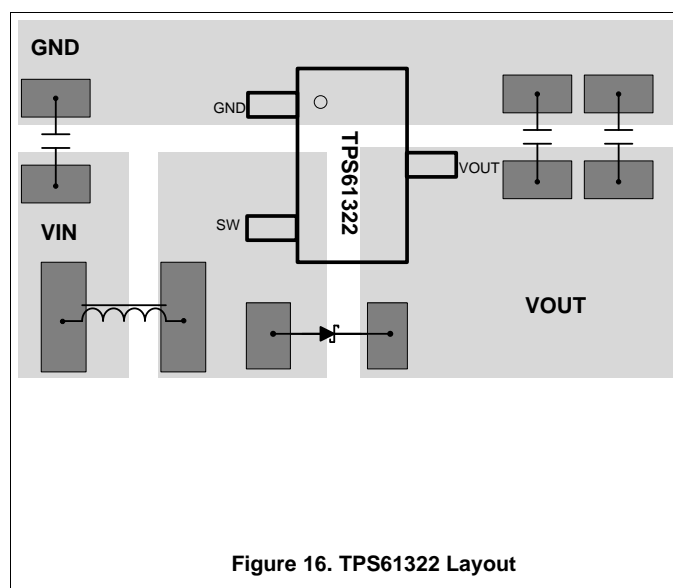
11 Layout

11.1 Layout Guidelines

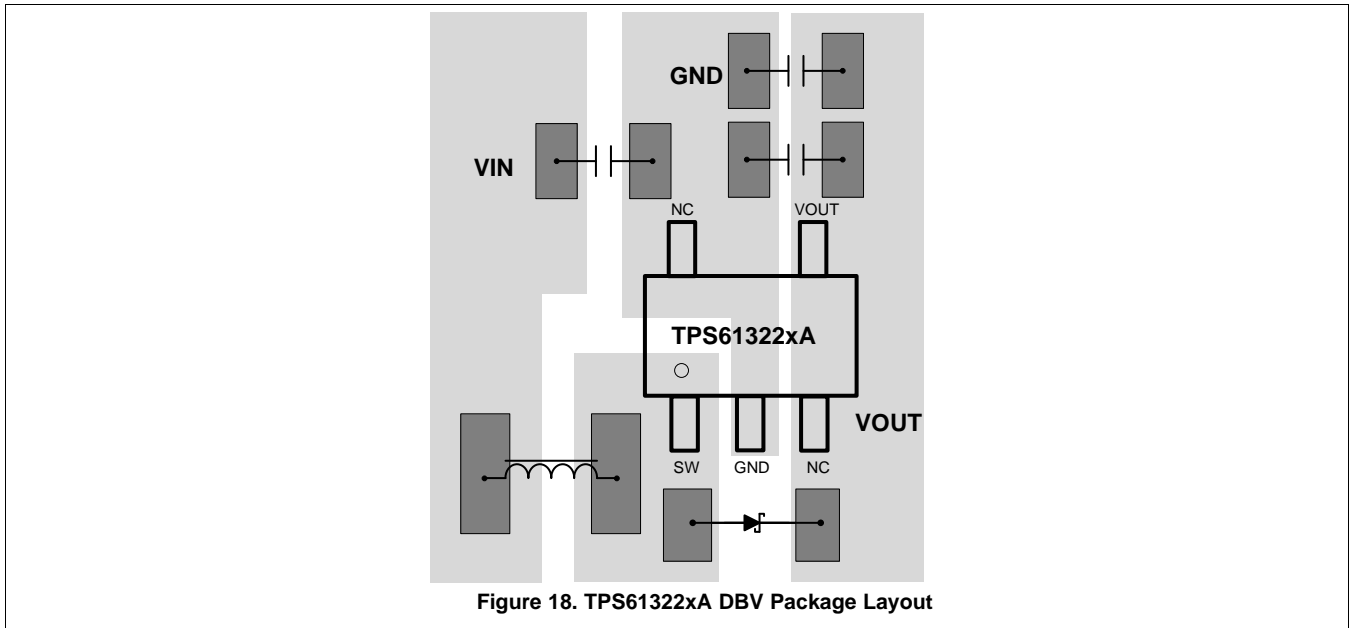
As for all switching power supplies, the layout is an important step in the design, especially at high peak currents and high switching frequencies. If the layout is not carefully done, the regulator could show stability problems as well as EMI problems. Therefore, use wide and short traces for the main current path and for the power ground paths. The output capacitor, as well as the inductor should be placed as close as possible to the device.

11.2 Layout Example

A large ground plane on the top and bottom is good for thermal performance.



Layout Example (continued)



12 Device and Documentation Support

12.1 Device Support

12.1.1 Third-Party Products Disclaimer

TI'S PUBLICATION OF INFORMATION REGARDING THIRD-PARTY PRODUCTS OR SERVICES DOES NOT CONSTITUTE AN ENDORSEMENT REGARDING THE SUITABILITY OF SUCH PRODUCTS OR SERVICES OR A WARRANTY, REPRESENTATION OR ENDORSEMENT OF SUCH PRODUCTS OR SERVICES, EITHER ALONE OR IN COMBINATION WITH ANY TI PRODUCT OR SERVICE.

12.2 Documentation Support

12.2.1 Related Documentation

For related documentation see the following:

TPS61322-BMC001 Evaluation Module User's Guide, [SLVUB37](#)

12.3 Related Links

The table below lists quick access links. Categories include technical documents, support and community resources, tools and software, and quick access to order now.

Table 7. Related Links

PARTS	PRODUCT FOLDER	ORDER NOW	TECHNICAL DOCUMENTS	TOOLS & SOFTWARE	SUPPORT & COMMUNITY
TPS61322	Click here	Click here	Click here	Click here	Click here
TPS613221A	Click here	Click here	Click here	Click here	Click here
TPS613222A	Click here	Click here	Click here	Click here	Click here
TPS613223A	Click here	Click here	Click here	Click here	Click here
TPS613226A	Click here	Click here	Click here	Click here	Click here

12.4 Receiving Notification of Documentation Updates

To receive notification of documentation updates, navigate to the device product folder on ti.com. In the upper right corner, click on *Alert me* to register and receive a weekly digest of any product information that has changed. For change details, review the revision history included in any revised document.

12.5 Community Resources

The following links connect to TI community resources. Linked contents are provided "AS IS" by the respective contributors. They do not constitute TI specifications and do not necessarily reflect TI's views; see TI's [Terms of Use](#).

TI E2E™ Online Community *TI's Engineer-to-Engineer (E2E) Community*. Created to foster collaboration among engineers. At e2e.ti.com, you can ask questions, share knowledge, explore ideas and help solve problems with fellow engineers.

Design Support *TI's Design Support* Quickly find helpful E2E forums along with design support tools and contact information for technical support.

12.6 Trademarks

E2E is a trademark of Texas Instruments.
All other trademarks are the property of their respective owners.

12.7 Electrostatic Discharge Caution



This integrated circuit can be damaged by ESD. Texas Instruments recommends that all integrated circuits be handled with appropriate precautions. Failure to observe proper handling and installation procedures can cause damage.

ESD damage can range from subtle performance degradation to complete device failure. Precision integrated circuits may be more susceptible to damage because very small parametric changes could cause the device not to meet its published specifications.

12.8 Glossary

[SLYZ022](#) — *TI Glossary*.

This glossary lists and explains terms, acronyms, and definitions.

13 Mechanical, Packaging, and Orderable Information

The following pages include mechanical, packaging, and orderable information. This information is the most current data available for the designated devices. This data is subject to change without notice and revision of this document. For browser-based versions of this data sheet, refer to the left-hand navigation.

PACKAGING INFORMATION

Orderable Device	Status (1)	Package Type	Package Drawing	Pins	Package Qty	Eco Plan (2)	Lead/Ball Finish (6)	MSL Peak Temp (3)	Op Temp (°C)	Device Marking (4/5)	Samples
TPS613221ADBVR	PREVIEW	SOT-23	DBV	5	3000	TBD	Call TI	Call TI	-40 to 85		
TPS613221ADBVT	PREVIEW	SOT-23	DBV	5	250	TBD	Call TI	Call TI	-40 to 85		
TPS613222ADBVR	PREVIEW	SOT-23	DBV	5	3000	TBD	Call TI	Call TI	-40 to 85		
TPS613222ADBVT	PREVIEW	SOT-23	DBV	5	250	TBD	Call TI	Call TI	-40 to 85		
TPS613223ADBVR	PREVIEW	SOT-23	DBV	5	3000	TBD	Call TI	Call TI	-40 to 85		
TPS613223ADBVT	PREVIEW	SOT-23	DBV	5	250	TBD	Call TI	Call TI	-40 to 85		
TPS613226ADBVR	PREVIEW	SOT-23	DBV	5	3000	TBD	Call TI	Call TI	-40 to 85		
TPS613226ADBVT	PREVIEW	SOT-23	DBV	5	250	TBD	Call TI	Call TI	-40 to 85		
TPS61322DBZR	ACTIVE	SOT-23	DBZ	3	3000	Green (RoHS & no Sb/Br)	CU SN	Level-1-260C-UNLIM	-40 to 85	1EME	Samples
TPS61322DBZT	ACTIVE	SOT-23	DBZ	3	250	Green (RoHS & no Sb/Br)	CU SN	Level-1-260C-UNLIM	-40 to 85	1EME	Samples

(1) The marketing status values are defined as follows:

ACTIVE: Product device recommended for new designs.

LIFEBUY: TI has announced that the device will be discontinued, and a lifetime-buy period is in effect.

NRND: Not recommended for new designs. Device is in production to support existing customers, but TI does not recommend using this part in a new design.

PREVIEW: Device has been announced but is not in production. Samples may or may not be available.

OBSELETE: TI has discontinued the production of the device.

(2) **RoHS:** TI defines "RoHS" to mean semiconductor products that are compliant with the current EU RoHS requirements for all 10 RoHS substances, including the requirement that RoHS substance do not exceed 0.1% by weight in homogeneous materials. Where designed to be soldered at high temperatures, "RoHS" products are suitable for use in specified lead-free processes. TI may reference these types of products as "Pb-Free".

RoHS Exempt: TI defines "RoHS Exempt" to mean products that contain lead but are compliant with EU RoHS pursuant to a specific EU RoHS exemption.

Green: TI defines "Green" to mean the content of Chlorine (Cl) and Bromine (Br) based flame retardants meet JS709B low halogen requirements of <=1000ppm threshold. Antimony trioxide based flame retardants must also meet the <=1000ppm threshold requirement.

(3) MSL, Peak Temp. - The Moisture Sensitivity Level rating according to the JEDEC industry standard classifications, and peak solder temperature.

(4) There may be additional marking, which relates to the logo, the lot trace code information, or the environmental category on the device.

(5) Multiple Device Markings will be inside parentheses. Only one Device Marking contained in parentheses and separated by a "~" will appear on a device. If a line is indented then it is a continuation of the previous line and the two combined represent the entire Device Marking for that device.

⁽⁶⁾ Lead/Ball Finish - Orderable Devices may have multiple material finish options. Finish options are separated by a vertical ruled line. Lead/Ball Finish values may wrap to two lines if the finish value exceeds the maximum column width.

Important Information and Disclaimer:The information provided on this page represents TI's knowledge and belief as of the date that it is provided. TI bases its knowledge and belief on information provided by third parties, and makes no representation or warranty as to the accuracy of such information. Efforts are underway to better integrate information from third parties. TI has taken and continues to take reasonable steps to provide representative and accurate information but may not have conducted destructive testing or chemical analysis on incoming materials and chemicals. TI and TI suppliers consider certain information to be proprietary, and thus CAS numbers and other limited information may not be available for release.

In no event shall TI's liability arising out of such information exceed the total purchase price of the TI part(s) at issue in this document sold by TI to Customer on an annual basis.

TAPE AND REEL INFORMATION



QUADRANT ASSIGNMENTS FOR PIN 1 ORIENTATION IN TAPE



*All dimensions are nominal

Device	Package Type	Package Drawing	Pins	SPQ	Reel Diameter (mm)	Reel Width W1 (mm)	A0 (mm)	B0 (mm)	K0 (mm)	P1 (mm)	W (mm)	Pin1 Quadrant
TPS61322DBZR	SOT-23	DBZ	3	3000	178.0	9.0	3.15	2.77	1.22	4.0	8.0	Q3
TPS61322DBZT	SOT-23	DBZ	3	250	178.0	9.0	3.15	2.77	1.22	4.0	8.0	Q3

TAPE AND REEL BOX DIMENSIONS


*All dimensions are nominal

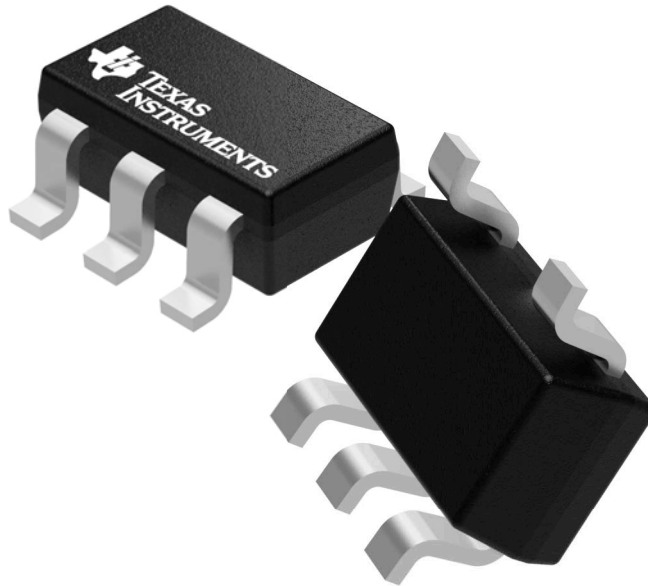
Device	Package Type	Package Drawing	Pins	SPQ	Length (mm)	Width (mm)	Height (mm)
TPS61322DBZR	SOT-23	DBZ	3	3000	180.0	180.0	18.0
TPS61322DBZT	SOT-23	DBZ	3	250	180.0	180.0	18.0

GENERIC PACKAGE VIEW

DBV 5

SOT-23 - 1.45 mm max height

SMALL OUTLINE TRANSISTOR



Images above are just a representation of the package family, actual package may vary.
Refer to the product data sheet for package details.

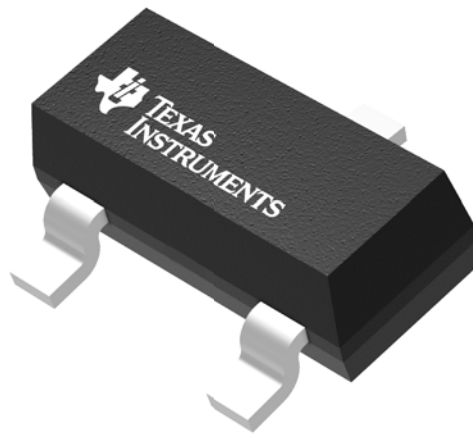
4073253/P

GENERIC PACKAGE VIEW

DBZ 3

SOT-23 - 1.12 mm max height

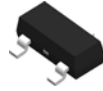
SMALL OUTLINE TRANSISTOR



Images above are just a representation of the package family, actual package may vary.
Refer to the product data sheet for package details.

4203227/C

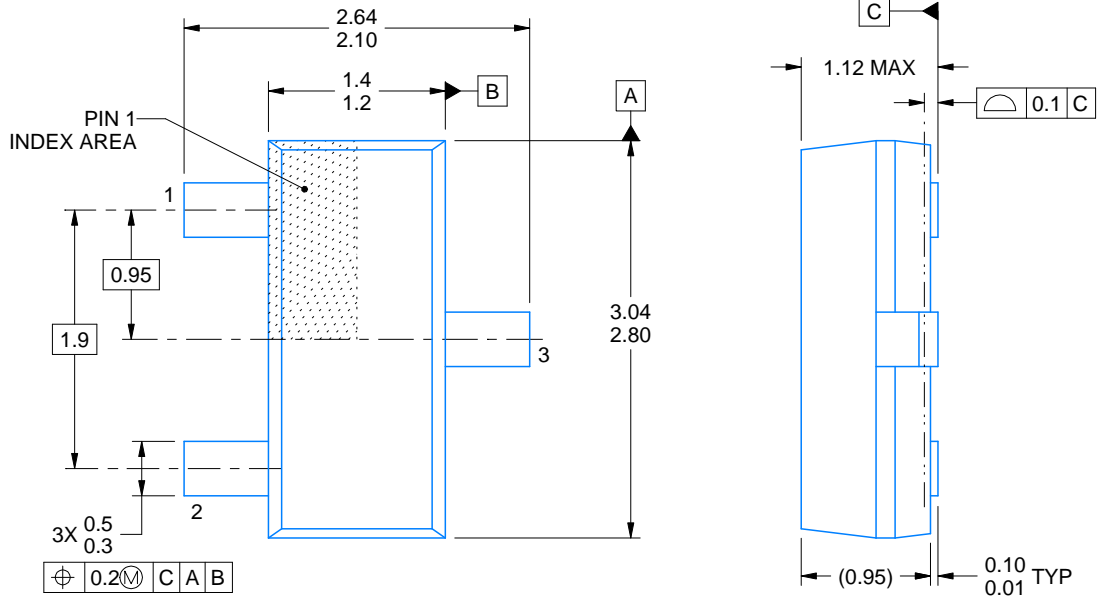
DBZ0003A



PACKAGE OUTLINE

SOT-23 - 1.12 mm max height

SMALL OUTLINE TRANSISTOR



4214838/C 04/2017

NOTES:

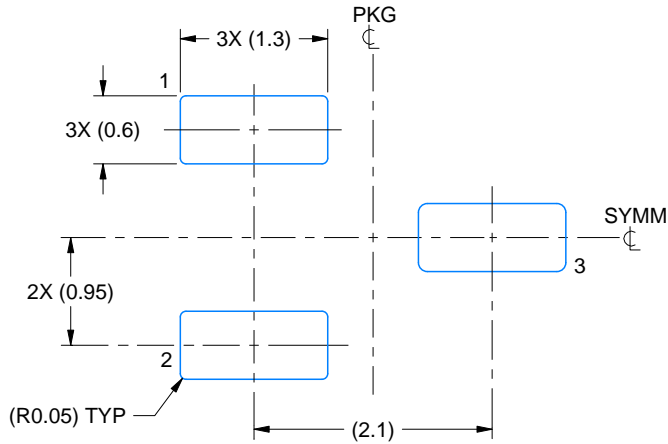
1. All linear dimensions are in millimeters. Any dimensions in parenthesis are for reference only. Dimensioning and tolerancing per ASME Y14.5M.
2. This drawing is subject to change without notice.
3. Reference JEDEC registration TO-236, except minimum foot length.

EXAMPLE BOARD LAYOUT

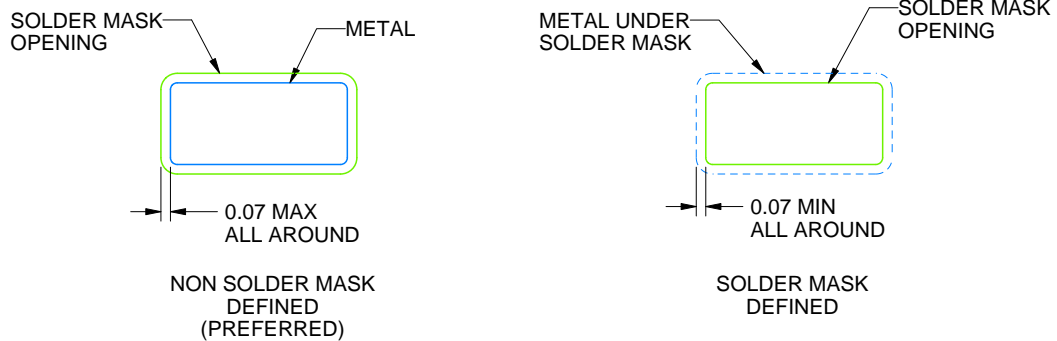
DBZ0003A

SOT-23 - 1.12 mm max height

SMALL OUTLINE TRANSISTOR



LAND PATTERN EXAMPLE
SCALE:15X



SOLDER MASK DETAILS

4214838/C 04/2017

NOTES: (continued)

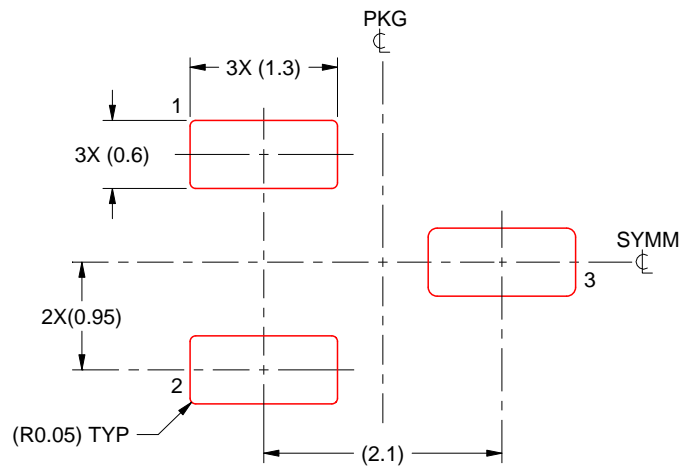
4. Publication IPC-7351 may have alternate designs.
5. Solder mask tolerances between and around signal pads can vary based on board fabrication site.

EXAMPLE STENCIL DESIGN

DBZ0003A

SOT-23 - 1.12 mm max height

SMALL OUTLINE TRANSISTOR



SOLDER PASTE EXAMPLE
BASED ON 0.125 THICK STENCIL
SCALE:15X

4214838/C 04/2017

NOTES: (continued)

6. Laser cutting apertures with trapezoidal walls and rounded corners may offer better paste release. IPC-7525 may have alternate design recommendations.
7. Board assembly site may have different recommendations for stencil design.

IMPORTANT NOTICE

Texas Instruments Incorporated (TI) reserves the right to make corrections, enhancements, improvements and other changes to its semiconductor products and services per JESD46, latest issue, and to discontinue any product or service per JESD48, latest issue. Buyers should obtain the latest relevant information before placing orders and should verify that such information is current and complete.

TI's published terms of sale for semiconductor products (<http://www.ti.com/sc/docs/stdterms.htm>) apply to the sale of packaged integrated circuit products that TI has qualified and released to market. Additional terms may apply to the use or sale of other types of TI products and services.

Reproduction of significant portions of TI information in TI data sheets is permissible only if reproduction is without alteration and is accompanied by all associated warranties, conditions, limitations, and notices. TI is not responsible or liable for such reproduced documentation. Information of third parties may be subject to additional restrictions. Resale of TI products or services with statements different from or beyond the parameters stated by TI for that product or service voids all express and any implied warranties for the associated TI product or service and is an unfair and deceptive business practice. TI is not responsible or liable for any such statements.

Buyers and others who are developing systems that incorporate TI products (collectively, "Designers") understand and agree that Designers remain responsible for using their independent analysis, evaluation and judgment in designing their applications and that Designers have full and exclusive responsibility to assure the safety of Designers' applications and compliance of their applications (and of all TI products used in or for Designers' applications) with all applicable regulations, laws and other applicable requirements. Designer represents that, with respect to their applications, Designer has all the necessary expertise to create and implement safeguards that (1) anticipate dangerous consequences of failures, (2) monitor failures and their consequences, and (3) lessen the likelihood of failures that might cause harm and take appropriate actions. Designer agrees that prior to using or distributing any applications that include TI products, Designer will thoroughly test such applications and the functionality of such TI products as used in such applications.

TI's provision of technical, application or other design advice, quality characterization, reliability data or other services or information, including, but not limited to, reference designs and materials relating to evaluation modules, (collectively, "TI Resources") are intended to assist designers who are developing applications that incorporate TI products; by downloading, accessing or using TI Resources in any way, Designer (individually or, if Designer is acting on behalf of a company, Designer's company) agrees to use any particular TI Resource solely for this purpose and subject to the terms of this Notice.

TI's provision of TI Resources does not expand or otherwise alter TI's applicable published warranties or warranty disclaimers for TI products, and no additional obligations or liabilities arise from TI providing such TI Resources. TI reserves the right to make corrections, enhancements, improvements and other changes to its TI Resources. TI has not conducted any testing other than that specifically described in the published documentation for a particular TI Resource.

Designer is authorized to use, copy and modify any individual TI Resource only in connection with the development of applications that include the TI product(s) identified in such TI Resource. NO OTHER LICENSE, EXPRESS OR IMPLIED, BY ESTOPPEL OR OTHERWISE TO ANY OTHER TI INTELLECTUAL PROPERTY RIGHT, AND NO LICENSE TO ANY TECHNOLOGY OR INTELLECTUAL PROPERTY RIGHT OF TI OR ANY THIRD PARTY IS GRANTED HEREIN, including but not limited to any patent right, copyright, mask work right, or other intellectual property right relating to any combination, machine, or process in which TI products or services are used. Information regarding or referencing third-party products or services does not constitute a license to use such products or services, or a warranty or endorsement thereof. Use of TI Resources may require a license from a third party under the patents or other intellectual property of the third party, or a license from TI under the patents or other intellectual property of TI.

TI RESOURCES ARE PROVIDED "AS IS" AND WITH ALL FAULTS. TI DISCLAIMS ALL OTHER WARRANTIES OR REPRESENTATIONS, EXPRESS OR IMPLIED, REGARDING RESOURCES OR USE THEREOF, INCLUDING BUT NOT LIMITED TO ACCURACY OR COMPLETENESS, TITLE, ANY EPIDEMIC FAILURE WARRANTY AND ANY IMPLIED WARRANTIES OF MERCHANTABILITY, FITNESS FOR A PARTICULAR PURPOSE, AND NON-INFRINGEMENT OF ANY THIRD PARTY INTELLECTUAL PROPERTY RIGHTS. TI SHALL NOT BE LIABLE FOR AND SHALL NOT DEFEND OR INDEMNIFY DESIGNER AGAINST ANY CLAIM, INCLUDING BUT NOT LIMITED TO ANY INFRINGEMENT CLAIM THAT RELATES TO OR IS BASED ON ANY COMBINATION OF PRODUCTS EVEN IF DESCRIBED IN TI RESOURCES OR OTHERWISE. IN NO EVENT SHALL TI BE LIABLE FOR ANY ACTUAL, DIRECT, SPECIAL, COLLATERAL, INDIRECT, PUNITIVE, INCIDENTAL, CONSEQUENTIAL OR EXEMPLARY DAMAGES IN CONNECTION WITH OR ARISING OUT OF TI RESOURCES OR USE THEREOF, AND REGARDLESS OF WHETHER TI HAS BEEN ADVISED OF THE POSSIBILITY OF SUCH DAMAGES.

Unless TI has explicitly designated an individual product as meeting the requirements of a particular industry standard (e.g., ISO/TS 16949 and ISO 26262), TI is not responsible for any failure to meet such industry standard requirements.

Where TI specifically promotes products as facilitating functional safety or as compliant with industry functional safety standards, such products are intended to help enable customers to design and create their own applications that meet applicable functional safety standards and requirements. Using products in an application does not by itself establish any safety features in the application. Designers must ensure compliance with safety-related requirements and standards applicable to their applications. Designer may not use any TI products in life-critical medical equipment unless authorized officers of the parties have executed a special contract specifically governing such use. Life-critical medical equipment is medical equipment where failure of such equipment would cause serious bodily injury or death (e.g., life support, pacemakers, defibrillators, heart pumps, neurostimulators, and implantables). Such equipment includes, without limitation, all medical devices identified by the U.S. Food and Drug Administration as Class III devices and equivalent classifications outside the U.S.

TI may expressly designate certain products as completing a particular qualification (e.g., Q100, Military Grade, or Enhanced Product). Designers agree that it has the necessary expertise to select the product with the appropriate qualification designation for their applications and that proper product selection is at Designers' own risk. Designers are solely responsible for compliance with all legal and regulatory requirements in connection with such selection.

Designer will fully indemnify TI and its representatives against any damages, costs, losses, and/or liabilities arising out of Designer's non-compliance with the terms and provisions of this Notice.