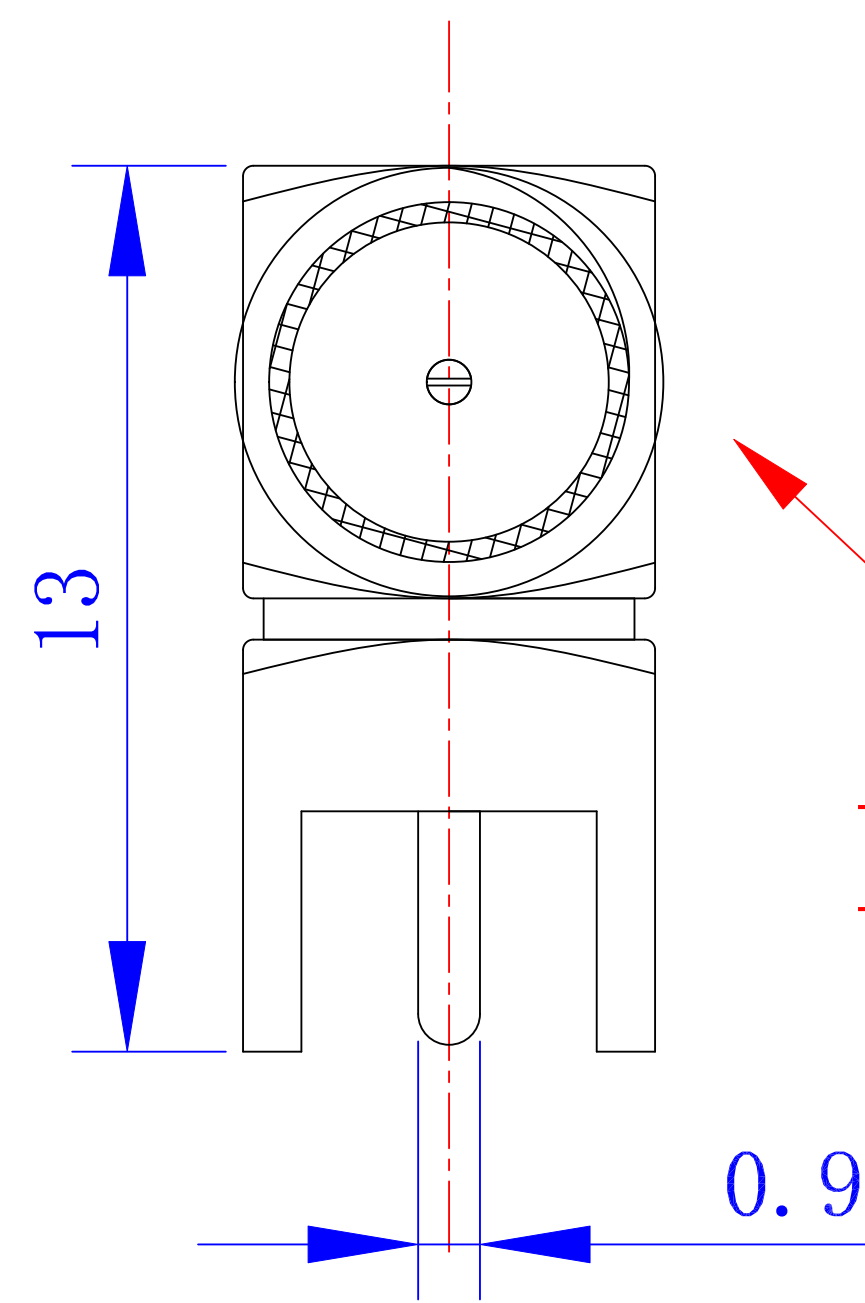
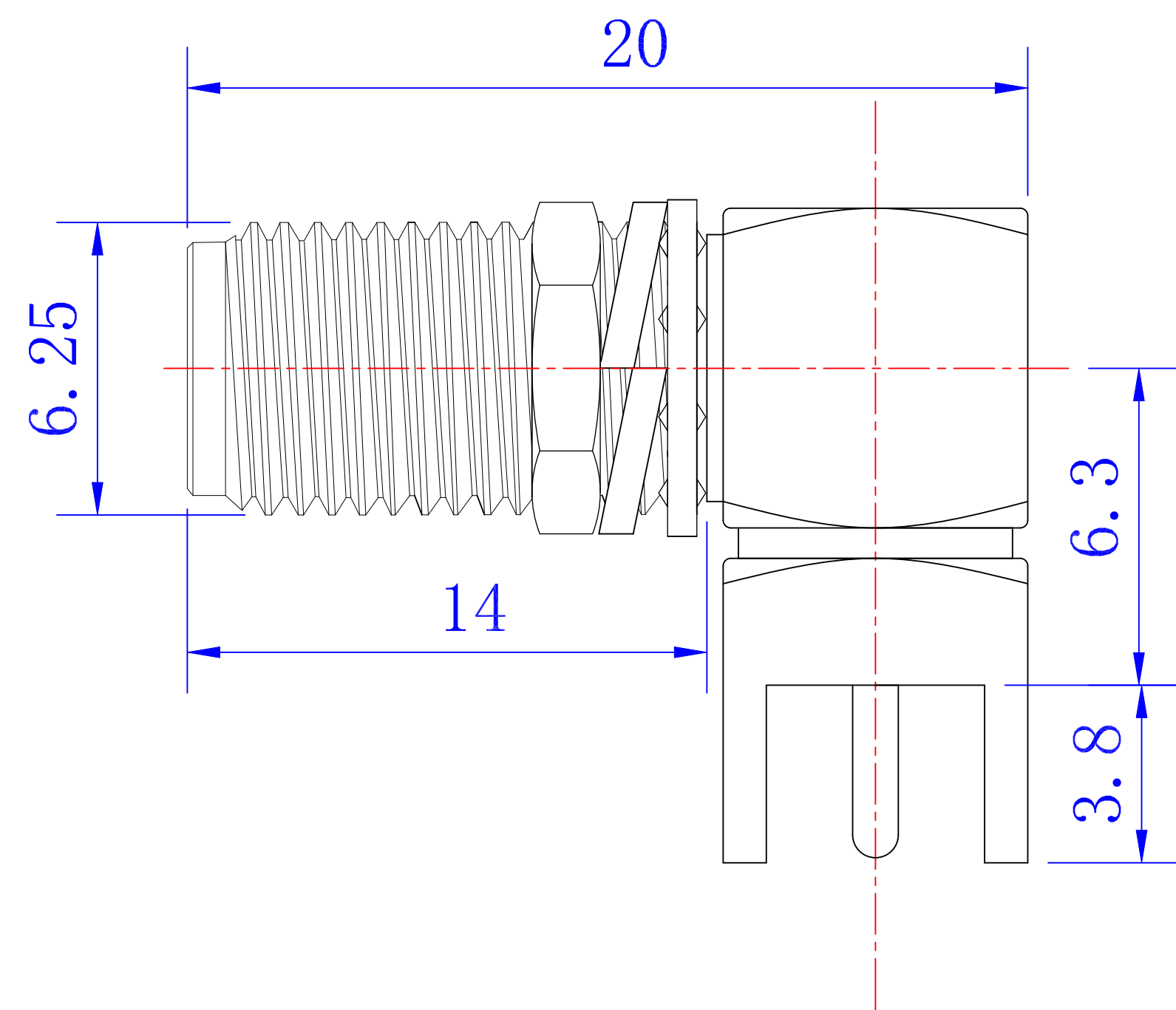
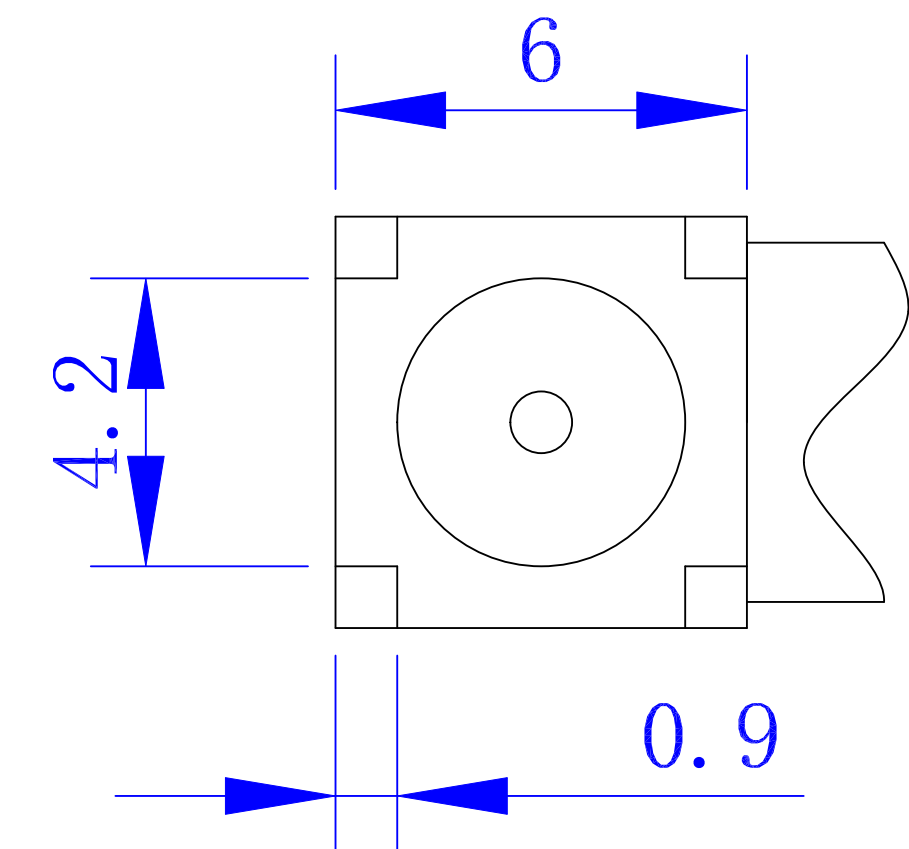


D:21-10-15



1/4-36uns


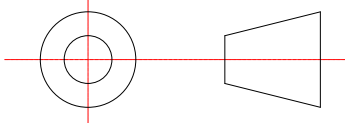


技术特性

- 温度范围: Temp.range -65~+165° C (PE Cable -40~+85° C)
- 振动: Vibration MIL-STD-202,Method 213
- 特性阻抗: Impedance 50 Ω
- 频率范围: Frequency Range DC~0-6GHz
- 工作电压: Working Voltage 335V max (有效值)
- 耐压: Withstand Voltage 1000V rms (海平面最小值)
- 接触电阻: Contact resistance
- 内导体之间: Center Contact ≤ 3 mΩ
- 外导体之间: Outer Contact ≤ 2 mΩ
- 绝缘电阻: Insulation resistance ≥ 5000 MΩ
- 插入损耗: Insertion loss ≤0.15 dB/6GHz

产品包装方式:

- 1, PE袋套装 每包100PCS
- 2, 外箱封装 每箱2K-5K 按照实际需求来定

GENERAL TOLERANCE (UNLESS SPECIFIED)	DWN		
	CHK		
$\leq 10 \pm 0.1$ $<10 \sim \leq 20 \pm 0.2$ $<20 \sim \leq 50 \pm 0.5$ Angle $\pm 3^\circ$	APVD	TITLE 连接器	
 THIRD ANGLE	UNIT MM	REV A	PART NO SMA-KWE-L
	SIZE A4	SHEET 1 OF 1	DRAWING NO STA-10204