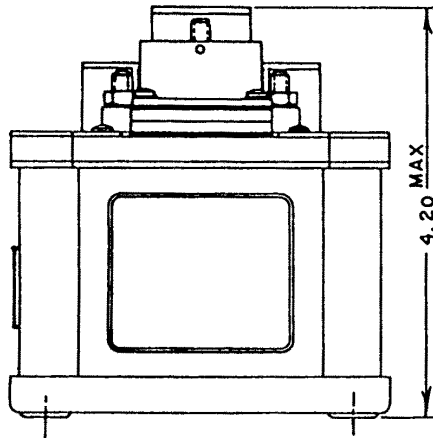
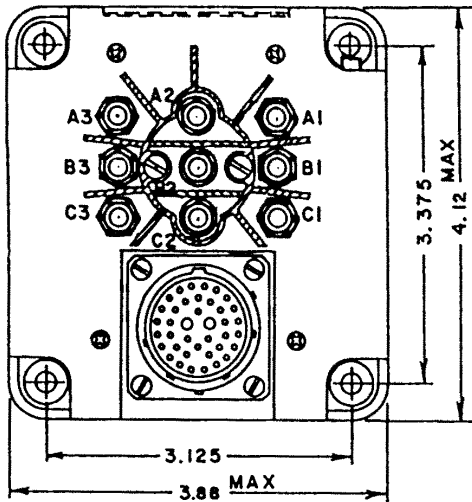


B-227 3PDT, Center Off, 60 Amps, 115/200 VAC, 400 Hz



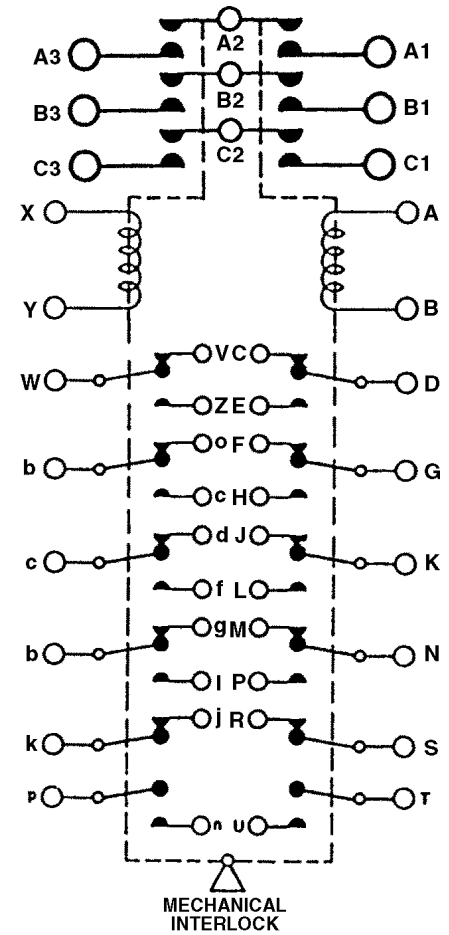
Features:

- 3PDT Center Off Main Contacts
- Mechanically Interlocked
- 115/200 VAC, 400 Hz
- 60 Amps
- High Reliability
- Meets many requirements of MIL-R-6106



Dimensions for this product are expressed in inches. Multiply values by 25.4 for millimeters.

CONTACTOR CONFIGURATION



Notes:

For factory-direct application assistance, contact the HARTMAN product team at (419) 521-9500, Fax (419) 526-2749.

© 2004 by Tyco Electronics Corporation. All Rights Reserved. HARTMAN and TYCO are trademarks.

PRODUCT SPECIFICATIONS	
Construction	Gasket Sealed, Vented
Main Contacts:	
Configuration	3PDT Center Off
Voltage (Nominal)	115/200 VAC, 400 Hz
Current (Resistive)	60 Amps
Auxiliary Contacts:	
Configuration	8-SPDT, 2-SPST N.O., 2-SPST N.C.
Voltage (Nominal)	28 VDC or 115 Volts, 400 Hz
Current	
Resistive	5 Amps
Inductive	2 Amps
Lamp	1 Amp
Coil Data:	
Duty Cycle	Continuous
Voltage (Nominal)	28 VDC
Pick-Up Voltage	18 VDC Maximum
Drop-Out Voltage	1 - 7 VDC
Coil Current @ 28 VDC & +25°C	0.37 Amps Max.
Operating Temperature	-55°C to +71°C Maximum
Life:	
Electrical	50,000 Cycles
Mechanical	100,000 Cycles
Weight	2 Lbs. 8 Oz.