

QLUV07N2DM-261 V1.0  
3535 10mW UVC LED



## Product Outline:

The high output ceramic type 3535 with 35 degree view angle LEDs, UVC LED series are designed for high current operation and high power output applications. Quelighting UV LED is ideal UV light source for water disinfection.

## Features:

- UVC LED
- **Quartz glass lens**
- Max. current = **150mA** , up to **1.5W**
- Package Dimension = 3.5mmX3.5mmX3.15mm
- Ceramic substrate
- MSL 3 qualified according to J-STD 020
- Low thermal resistance
- View angle = **35** degree
- RoHS compliant
- Custom Bin available upon special request

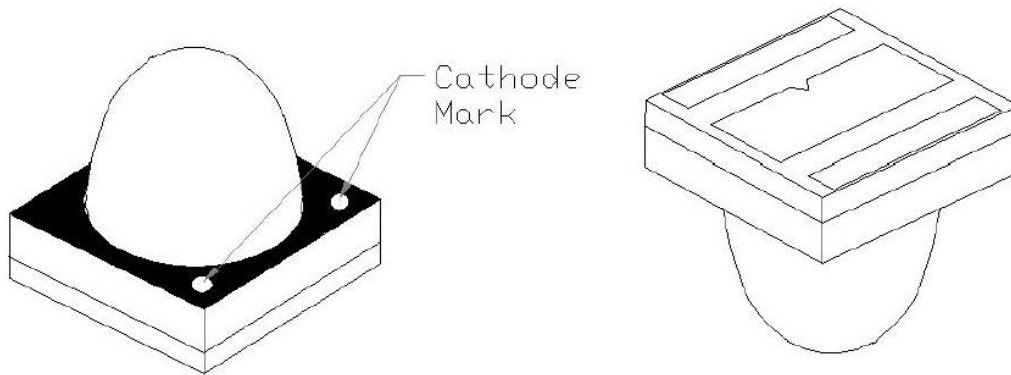
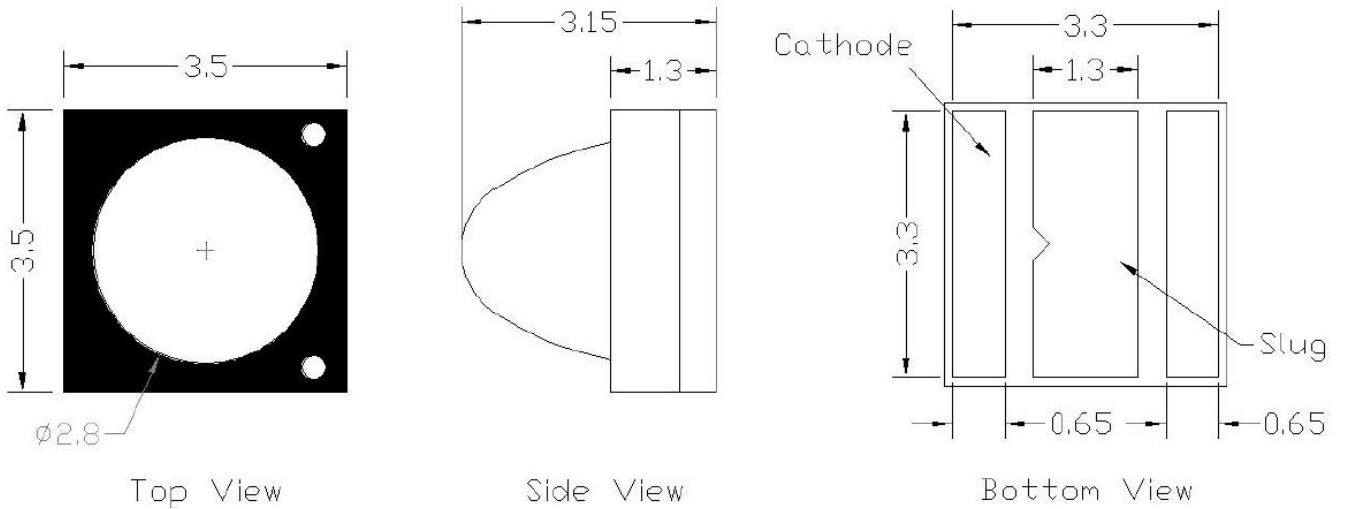
## Application:

- Water disinfection
- Air purifiers
- Disinfection
- Phototherapy
- Bio-Analysis/DetectionFeatures

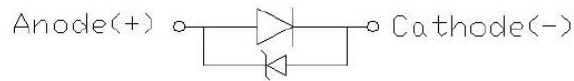
## Compliance and Certification:



## Mechanical Property: 35 Degree Field Angle



Circuit Diagram

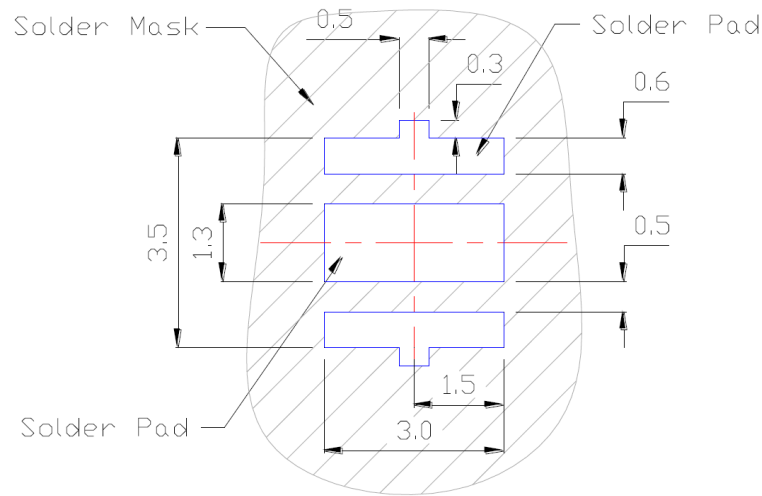


**Note:**

1. All dimension in millimeters
2. tolerance is  $\pm 0.2$ mm



## Recommended Solder footprint:



**Note:**

1. All dimension in millimeters
2. The drawing without tolerances is for reference only
3. Suggest stencil T=0.12 mm

## Electrical / Optical Characteristic

(T=25 °C)

Product	View angle	I <sub>F</sub> (mA)	V <sub>F</sub> (V)		Wavelength (nm)	Radiant Power(mW)	
			Typ.	max		min	typ.
QLUV07N2DM-261	35	100	7	10	265-285	8	11.5

- (1) The Forward Voltage tolerance is  $\pm 0.1V$
- (2) The Peak wavelength tolerance is  $\pm 2$
- (3) The Radiant power is  $\pm 7\%$



## Absolute Maximum Rating

(T=25 °C)

Part #	P <sub>d</sub> (mW)	I <sub>F</sub> (mA)	I <sub>FP</sub> (mA)*	V <sub>R</sub> (V)	T <sub>OP</sub> (°C)	T <sub>ST</sub> (°C)	T <sub>J</sub> (°C)**	T <sub>SOL</sub> (°C)**	R <sub>th(J-S)</sub> (C/W)***
QLUV07N2DM-261	1.5	150	180	-5	-40 – 60	-40 - 85	85	260	15

\*Duty 1/10 @ 10Khz

\*\* Junction Temperature

\*\*\* IR Reflow for no more than 10 sec @ 260 °C

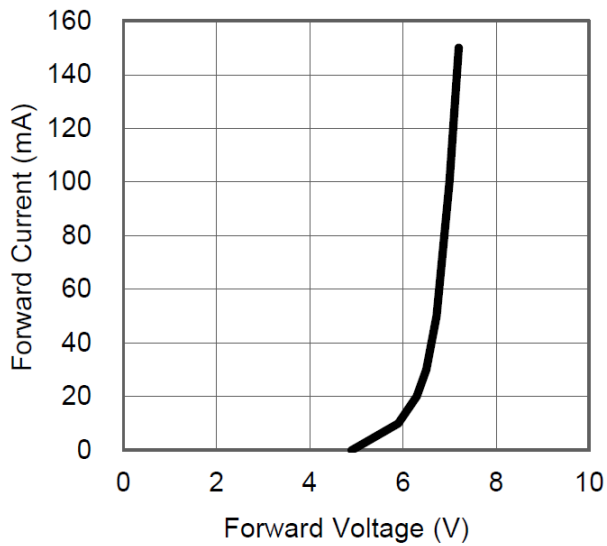
\*\*\*\* Thermal resistance is calculated from junction to solder

## Peak Wavelength Binning

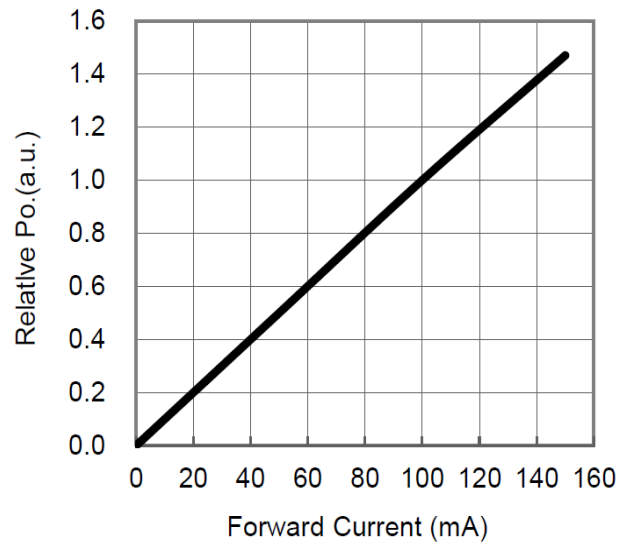
Wavelength Rank @ 100mA			
Code name	Low	High	Units
U265T	265	275	nm
U275T	275	285	



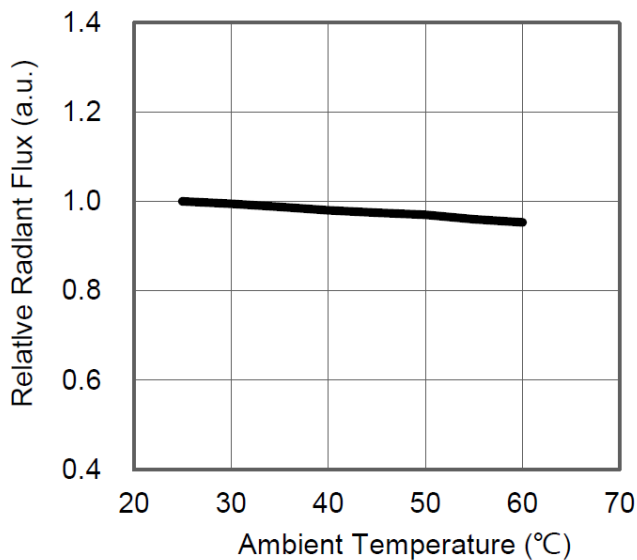
## Characteristic Curves



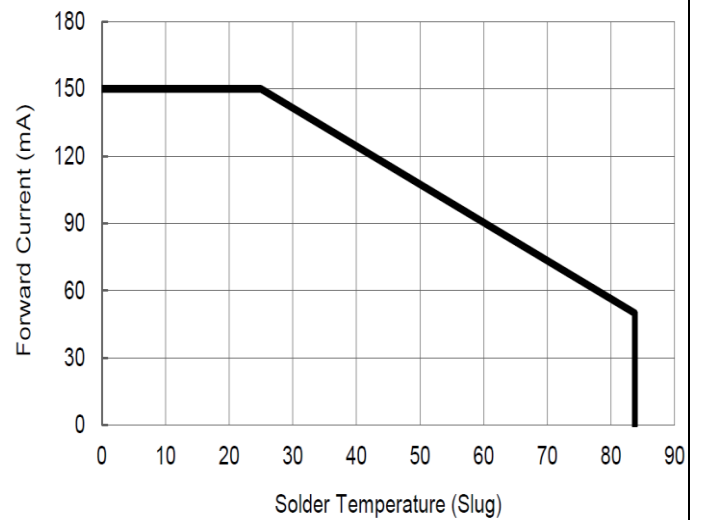
Forward Voltage vs. Forward Current



Forward current vs. Relative luminous intensity

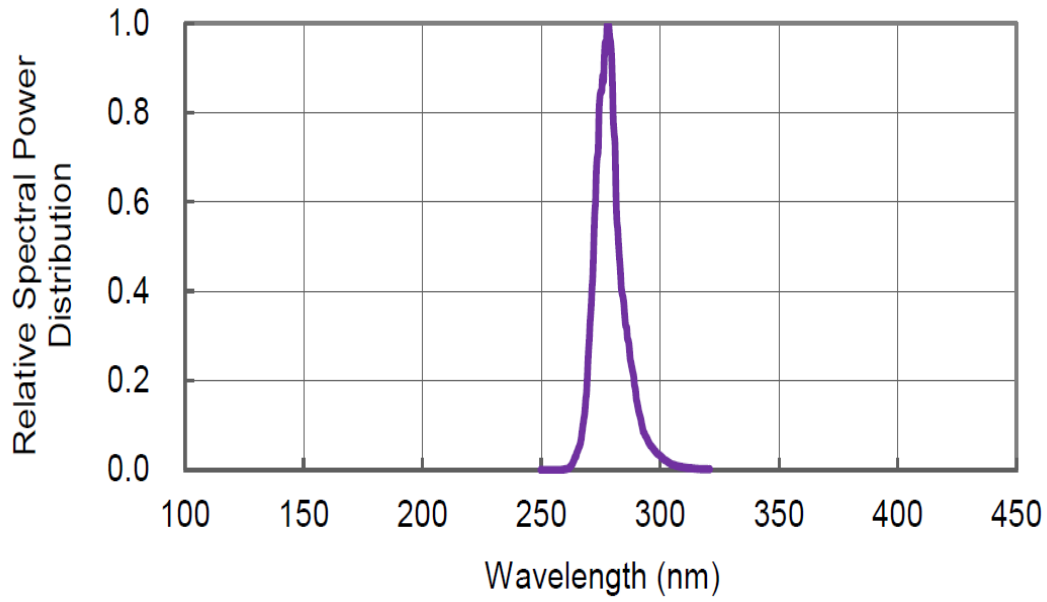


Relative Luminous Intensity vs Ambient Temperature

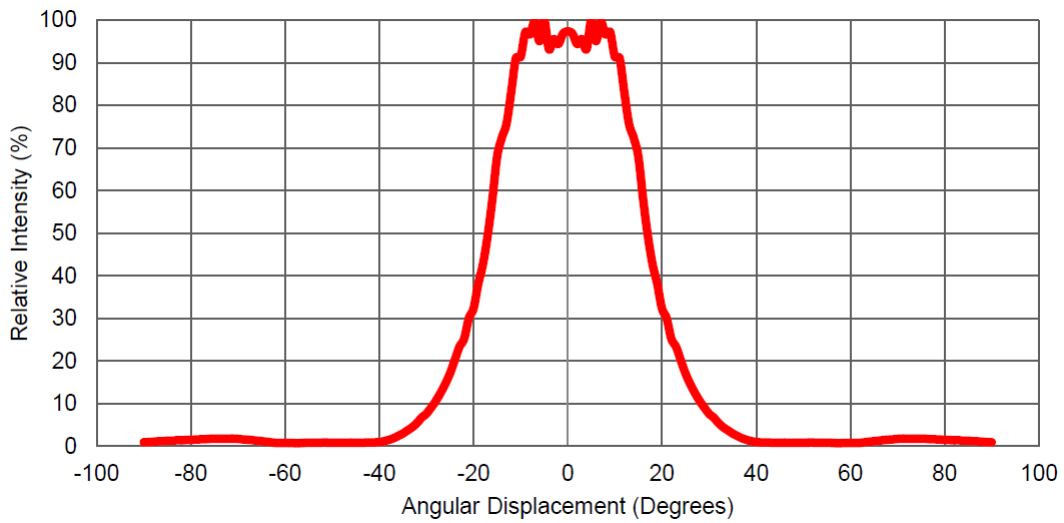


Solder Temperature (Slug) vs. Maximum Forward Current





Spectrum Distribution



Typical Representative Spatial Radiation Pattern



## ■ Reliability test:

No	Item	Condition	Time/Cycle	Sample size
1	Steady State Operating Life of Room Temperature	25°C Operating	500 Hrs	10 pcs
2	Steady State Operating Life of Low Temperature -40°C	-40°C Operating	500 Hrs	10 pcs
3	Steady State Operating Life of Low Temperature 60°C	60°C Operating	500 Hrs	10 pcs
4	Steady State Operating Life of Low Temperature 85°C	65°C Operating	500 Hrs	10 pcs
5	Low temperature storage -40°C	-40°C Storage	500 Hrs	10 pcs
6	High temperature storage 100°C	100°C Storage	500 Hrs	10 pcs
7	Steady State Operating Life of High Humidity Heat 60°C 90%	60°C/90% Operating	500 Hrs	10 pcs
8	Steady State Pulse Operating Life Condition	25°C 10Hz duty=1/10 Operating	100 Cycle	10 pcs
9	Resistance to soldering heat on PCB (JEDEC MSL3)	pre-store@60°C, 60%RH for 52hrs Tslid max.=260 10sec	3 Times	10 pcs
10	Heat Cycle Test (JEDEC MRC)	25°C~65°C~-10°C, 90%RH, 24hr/1cycle	10 Cycle	10 pcs
11	Thermal shock	-40°C / 20minr~ 5minr~100°C /20min	100 Cycle	10 pcs

## ■ Judgment Criteria:

Item	Symbol	Test Condition	Judgment Criteria
Forward Voltage	Vf	100 mA	$\Delta Vf < 10\%$
Luminous Flux	Iv	100 mA	$\Delta Iv < 30\%$





## Solder Profile:

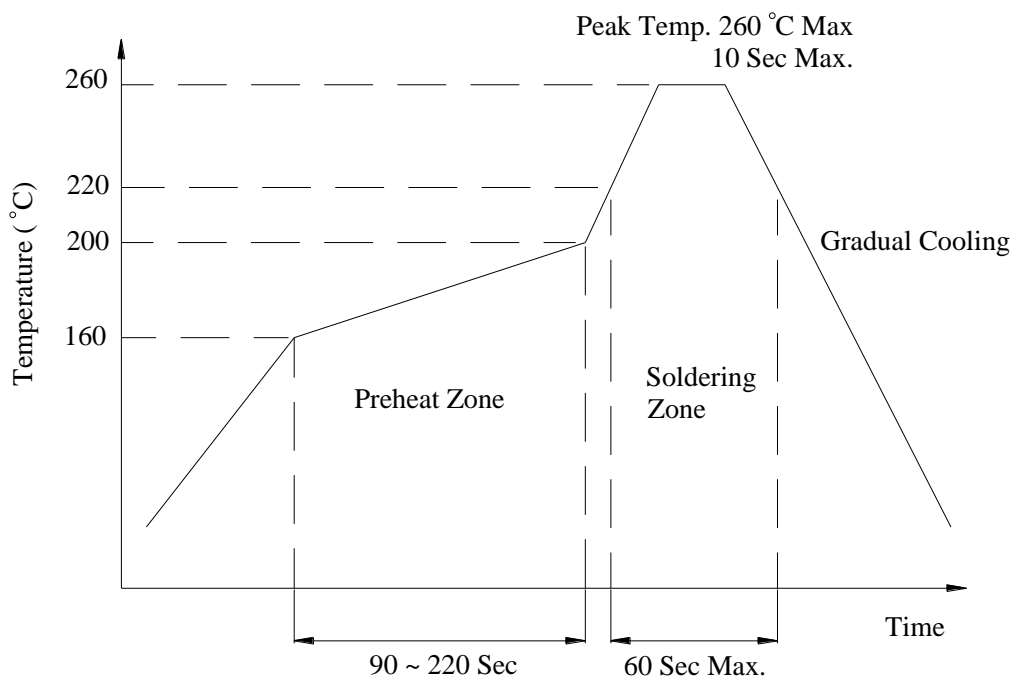
-The recommended reflow soldering profile is as follows (temperatures indicated are as measured on the surface of the LED resin):

- When soldering LEDs,
- Do not solder/reflow the same LED over two times.
- Recommend soldering conditions:

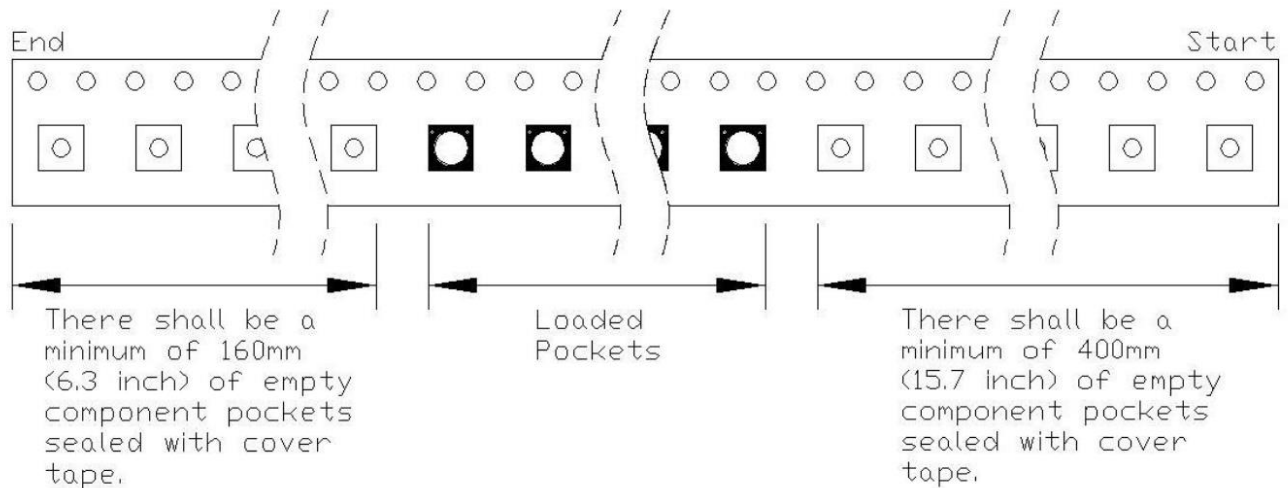
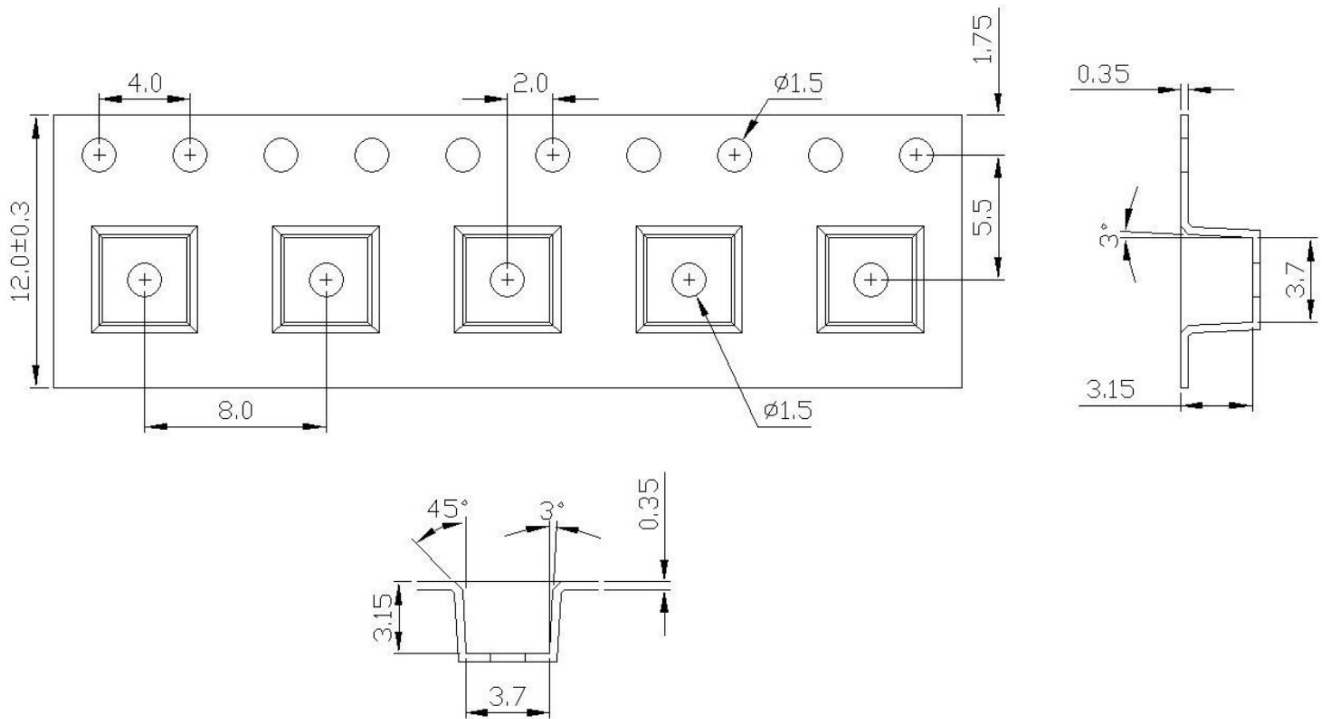
Reflow soldering: Pre-heat 150 max , 180 sec. max. °C

Peak 260 ma °C x , 10 sec. max.

- Reflow temperature profile as below: (lead-free solder)



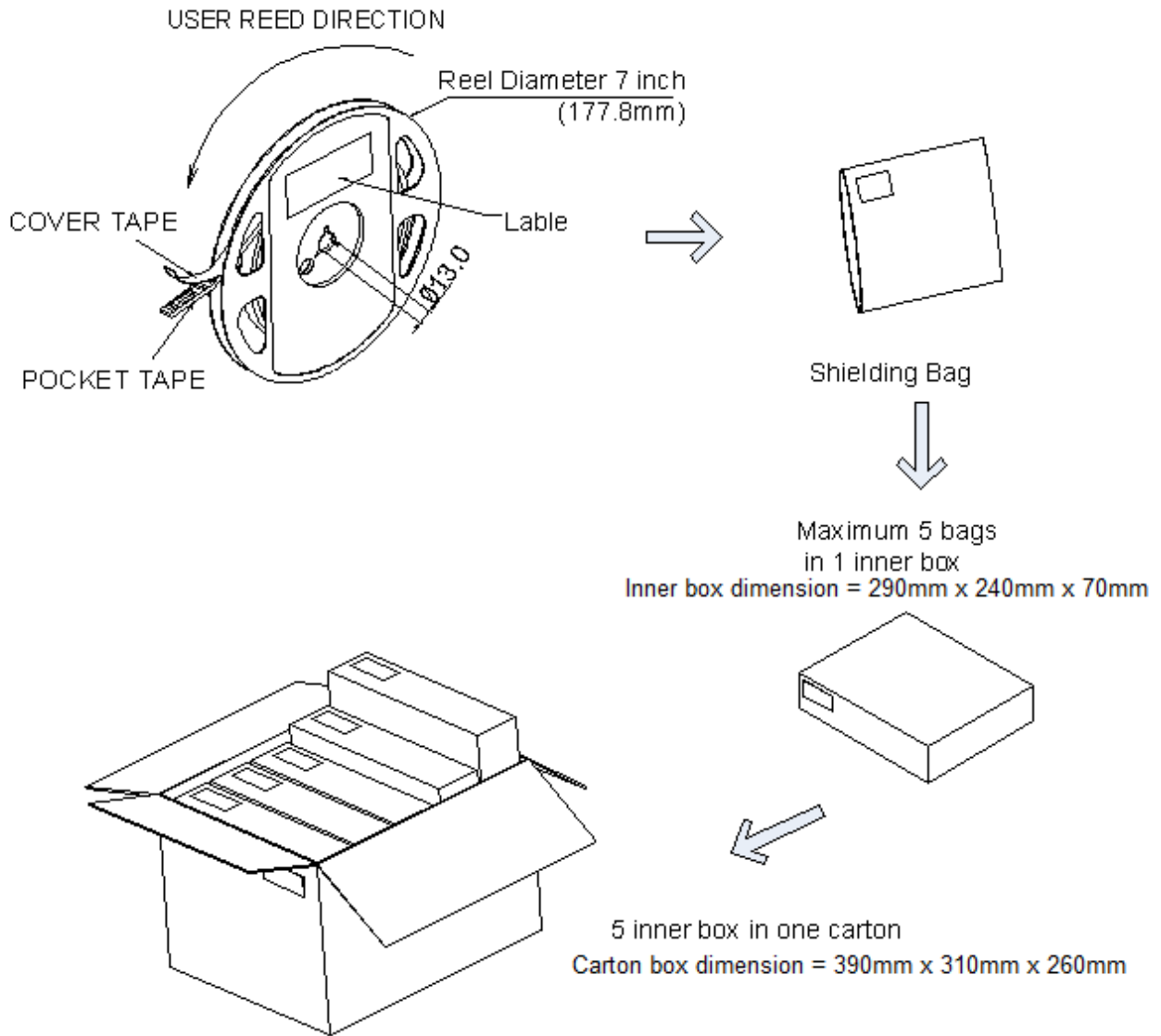
## Taping & Packing:



**Notes:**

1. Drawing not to scale.
2. All dimensions are in millimeters.
3. Unless otherwise indicated, tolerances are  $\pm 0.10$ mm.





## Eye Safety Guidelines During operation

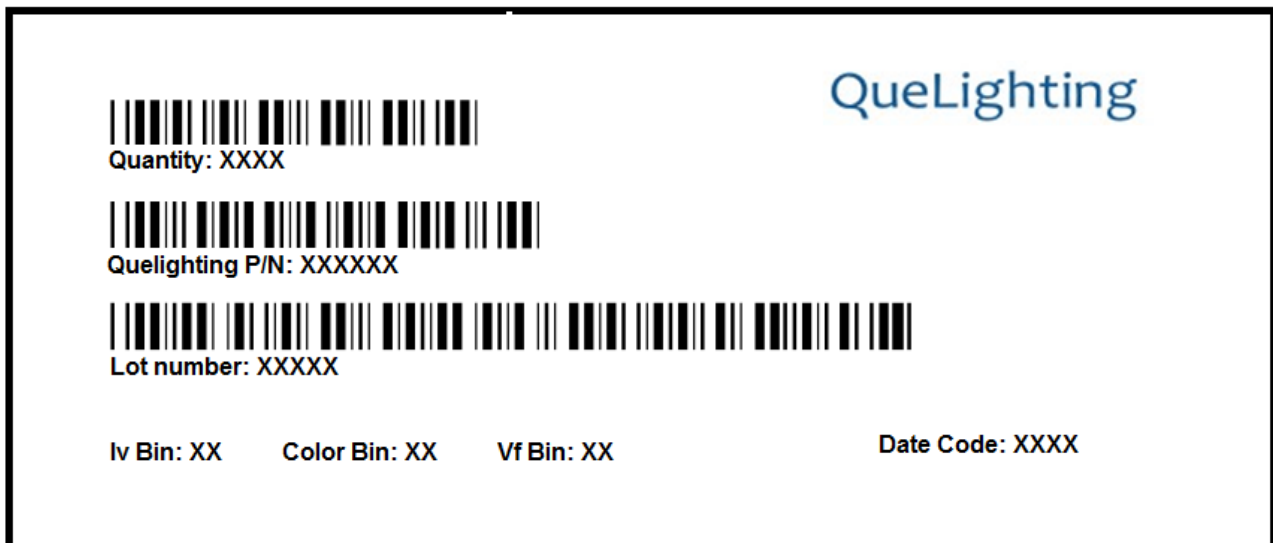
The LED emits high intensity ultraviolet (UV) light, which is harmful to skin and eyes. UV light is hazardous to skin and may cause cancer.

- 1) Avoid looking directly at the UV light: Wear protective glasses/goggle with ANSI Z87 rated.
- 2) Wear facial shield / Lab Coat with long sleeve / Gloves to cover skin may exposed to UVC LEDs.
- 3) Attach warning labels on products/systems that is composed with UV LEDs.

## Samples of Warning label:



## Labeling



### Ordering Information:

Part #	Multiple Quantities	Quantity per Reel
QLUV07N2DM-261		250, 500 pcs

### Revision History:

Revision Date:	Changes:	Version #:
07-04-2020	Initial release	1.0

