



**COUPLED INDUCTOR
For Uses in ADSL POTS
Low Pass Filters**

FEATURES

- ① Excellent longitudinal balance
- ② 1500v Isolation
- ③ Inductance tolerance $\pm 5\%$
- ④ DC current up to 100mA

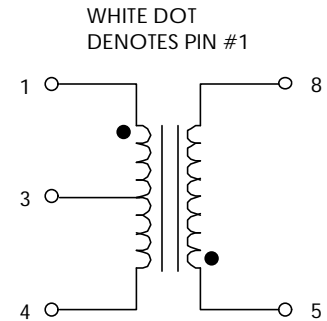
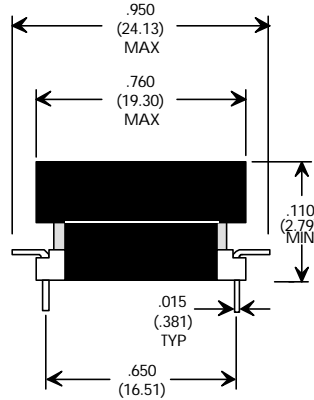
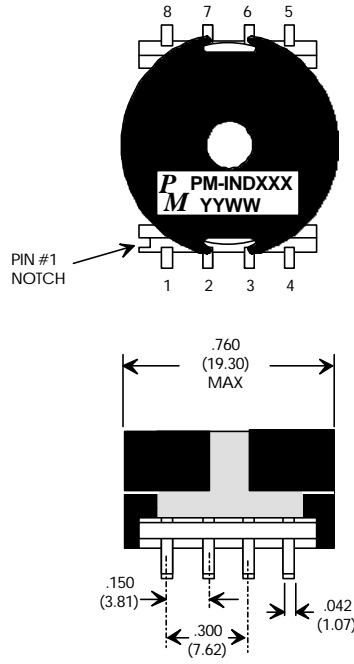
ELECTRICAL SPECIFICATIONS AT 25°C - OPERATING TEMPERATURE RANGE -40°C TO +85°C

PART NUMBER	Inductance (each wdg) (mH)	DC R (each wdg) (Ω MAX)	Isolation (Vrms)	Function	Package / Schematics
PM-IND019	1.90 $\pm 5\%$	1.8	1500	Coupled Inductor for POTS Low Pass Filter	A/1
PM-IND019E	1.90 $\pm 5\%$	2.3	1500	Coupled Inductor for POTS Low Pass Filter	C/3
PM-IND020	2.00 $\pm 5\%$	1.9	1500	Coupled Inductor for POTS Low Pass Filter	A/1
PM-IND020E	2.00 $\pm 5\%$	2.4	1500	Coupled Inductor for POTS Low Pass Filter	C/3
PM-IND024	2.40 $\pm 5\%$	2.1	1500	Coupled Inductor for POTS Low Pass Filter	A/1
PM-IND024E	2.40 $\pm 5\%$	2.7	1500	Coupled Inductor for POTS Low Pass Filter	C/3
PM-IND025	2.50 $\pm 5\%$	2.2	1500	Coupled Inductor for POTS Low Pass Filter	A/1
PM-IND025E	2.50 $\pm 5\%$	2.8	1500	Coupled Inductor for POTS Low Pass Filter	C/3
PM-IND030	3.0 $\pm 5\%$	3.0	1500	Coupled Inductor for POTS Low Pass Filter	A/1
PM-IND040	4.0 $\pm 5\%$	3.0	1500	Coupled Inductor for POTS Low Pass Filter	A/1
PM-IND040E	4.0 $\pm 5\%$	4.0	1500	Coupled Inductor for POTS Low Pass Filter	C/3
PM-IND045	4.5 $\pm 5\%$	3.6	1500	Coupled Inductor for POTS Low Pass Filter	A/1
PM-IND045E	4.5 $\pm 5\%$	4.5	1500	Coupled Inductor for POTS Low Pass Filter	C/3
PM-IND050	5.00 $\pm 5\%$	4.0	1500	Coupled Inductor for POTS Low Pass Filter	A/1
PM-IND050E	5.0 $\pm 5\%$	5.4	1500	Coupled Inductor for POTS Low Pass Filter	C/3
PM-IND052	5.25 $\pm 5\%$	4.5	1500	Coupled Inductor for POTS Low Pass Filter	A/1
PM-IND052E	5.25 $\pm 5\%$	5.8	1500	Coupled Inductor for POTS Low Pass Filter	C/3
PM-IND055	5.5 $\pm 5\%$	4.7	1500	Coupled Inductor for POTS Low Pass Filter	A/1
PM-IND055E	5.5 $\pm 5\%$	6.0	1500	Coupled Inductor for POTS Low Pass Filter	C/3
PM-IND060	6.0 $\pm 5\%$	5.0	1500	Coupled Inductor for POTS Low Pass Filter	B/2
PM-IND090	9.0 $\pm 5\%$	6.0	1500	Coupled Inductor for POTS Low Pass Filter	B/2

PACKAGE "A"

SCHEMATIC "1"

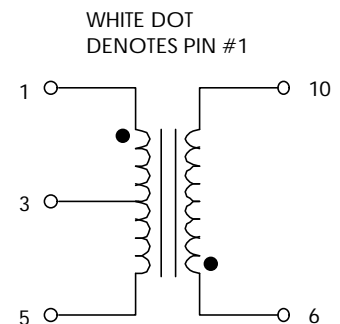
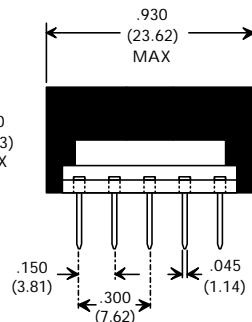
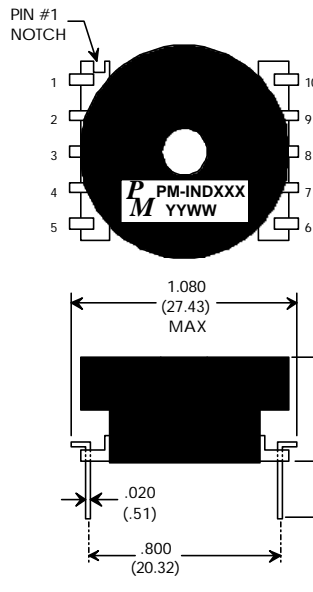
PHYSICAL DIMENSIONS DIMENSIONS IN INCH (mm)



PACKAGE "B"

SCHEMATIC "2"

PHYSICAL DIMENSIONS DIMENSIONS IN INCH (mm)



PACKAGE "C"

SCHEMATIC "3"

PHYSICAL DIMENSIONS DIMENSIONS IN INCH (mm)

