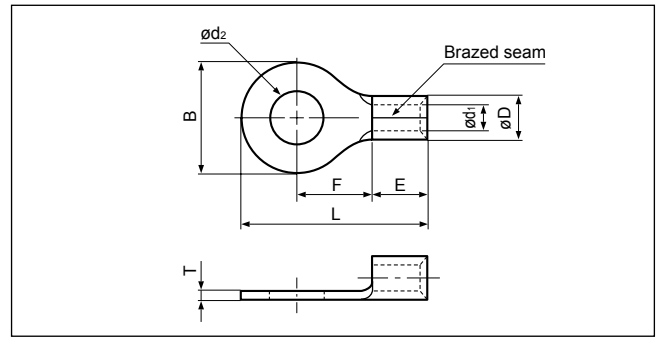


Solderless terminals

RING TONGUE (R type) Non-insulated



JQ0608019
 JQID08002
 JQMY14001
 JIS C 2805

Certificate No.: E42024 LR20812

JIS

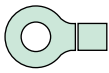
Applicable Wire AWG#(mm ²)	Stud size		Part No.		Standard	Dimensions mm (in.)								Tool No.	Qty/box
	American	Metric	JST	JIS		ød ₂	B	L	F	E	øD	ød ₁	T		
26 to 22 (0.2 to 0.5)	1-2	2	0.5-2			2.2 (.087)	5.2 (.205)	12.4 (.488)	5.8 (.228)	4.0 (.157)	2.0 (.079)	1.0 (.039)	0.5 (.020)	YHT-2622 YA-1 YA-2 BCT-0514L	1,000
	3-4	3	0.5-3			3.2 (.126)	5.2 (.205)	12.4 (.488)	5.8 (.228)						
	5-6	3.5	0.5-3.7			3.7 (.146)	6.6 (.260)	15.0 (.591)	7.7 (.303)						
	8	4	0.5-4			4.3 (.169)	6.6 (.260)	15.0 (.591)	7.7 (.303)						
	10	5	0.5-5			5.3 (.209)	8.0 (.315)	15.0 (.591)	7.0 (.276)						
22 to 16 (0.25 to 1.65)	1-2	2	1.25-2			2.2 (.087)	5.5 (.217)	11.5 (.453)	4.0 (.157)	4.8 (.189)	3.4 (.134)	1.7 (.067)	0.8 (.031)	YHT-2210 YA-1 YA-2 YA-4 BCT-0514L	1,000
	3-4	3	1.25-3	R1.25-3		3.2 (.126)	5.5 (.217)	11.5 (.453)	4.0 (.157)						
	3-4	3	1.25-MS3			3.2 (.126)	5.5 (.217)	13.2 (.520)	5.6 (.220)						
	3-4	3	1.25-M3.3			3.2 (.126)	6.6 (.260)	14.4 (.567)	6.3 (.248)						
	3-4	3	1.25-L3			3.2 (.126)	8.0 (.315)	15.8 (.622)	7.0 (.276)						
	5-6	3.5	1.25-3.7			3.7 (.146)	5.5 (.217)	11.5 (.453)	4.0 (.157)						
	5-6	3.5	1.25-P3.5			3.7 (.146)	5.5 (.217)	13.9 (.547)	6.3 (.248)						
	5-6	3.5	1.25-M3	R1.25-3.5		3.7 (.146)	6.6 (.260)	14.4 (.567)	6.3 (.248)						
	5-6	3.5	1.25-L3.7			3.7 (.146)	8.0 (.315)	15.8 (.622)	7.0 (.276)						
	8	4	1.25-M4			4.3 (.169)	6.6 (.260)	14.4 (.567)	6.3 (.248)						
	8	4	1.25-4	R1.25-4		4.3 (.169)	8.0 (.315)	15.8 (.622)	7.0 (.276)						
	8	4	1.25-4NS			4.3 (.169)	9.0 (.354)	20.4 (.803)	11.1 (.437)						
	10	5	1.25-5	R1.25-5		5.3 (.209)	8.0 (.315)	15.8 (.622)	7.0 (.276)						
	10	5	1.25-5NS			5.3 (.209)	9.0 (.354)	20.4 (.803)	11.1 (.437)						
	10	5	1.25-L5			5.3 (.209)	11.6 (.457)	21.7 (.854)	11.1 (.437)						
1/4	6	1.25-6		6.4 (.252)	11.6 (.457)	21.7 (.854)	11.1 (.437)								
5/16	8	1.25-8		8.4 (.331)	11.6 (.457)	21.7 (.854)	11.1 (.437)								
3/8	10	1.25-10		10.5 (.413)	13.6 (.535)	25.5 (1.004)	13.9 (.547)								
1/2	12	1.25-12		13.0 (.512)	19.0 (.748)	31.0 (1.220)	16.7 (.657)								
16 to 14 (1.04 to 2.63)	1-2	2	2-S2			2.2 (.087)	6.4 (.252)	12.3 (.484)	4.3 (.169)	4.8 (.189)	4.1 (.161)	2.3 (.091)	0.8 (.031)	YHT-2210 YA-1 YA-2 YA-4 BCT-0514L	1,000
	3-4	3	2-MS3			3.2 (.126)	5.5 (.217)	13.2 (.520)	5.6 (.220)						
	3-4	3	2-S3.3			3.2 (.126)	6.4 (.252)	12.3 (.484)	4.3 (.169)						
	3-4	3	2-M3.3			3.2 (.126)	6.6 (.260)	14.4 (.567)	6.3 (.248)						
	3-4	3	2-3			3.2 (.126)	8.5 (.335)	16.8 (.661)	7.8 (.307)						
	5-6	3.5	2-MS3.5			3.7 (.146)	5.5 (.217)	13.9 (.547)	6.3 (.248)						
	5-6	3.5	2-S3			3.7 (.146)	6.4 (.252)	12.3 (.484)	4.3 (.169)						
	5-6	3.5	2-M3	R2-3.5		3.7 (.146)	6.6 (.260)	14.4 (.567)	6.3 (.248)						
	5-6	3.5	2-P3.5			3.7 (.146)	7.0 (.276)	16.0 (.630)	7.7 (.303)						
	5-6	3.5	2-3.7			3.7 (.146)	8.5 (.335)	16.8 (.661)	7.8 (.307)						
	8	4	2-M4			4.3 (.169)	6.6 (.260)	14.4 (.567)	6.3 (.248)						
	8	4	2-P4			4.3 (.169)	7.0 (.276)	16.0 (.630)	7.7 (.303)						
	8	4	2-4	R2-4		4.3 (.169)	8.5 (.335)	16.8 (.661)	7.8 (.307)						
	8	4	2-4NS			4.3 (.169)	9.0 (.354)	20.3 (.799)	11.0 (.433)						
	10	5	2-M5			5.3 (.209)	8.5 (.335)	16.8 (.661)	7.8 (.307)						
10	5	2-5NS		5.3 (.209)	9.0 (.354)	20.3 (.799)	11.0 (.433)								
10	5	2-5	R2-5	5.3 (.209)	9.5 (.374)	16.8 (.661)	7.3 (.287)								
1/4	6	2-6	R2-6	6.4 (.252)	12.0 (.472)	21.8 (.858)	11.0 (.433)								
5/16	8	2-8	R2-8	8.4 (.331)	12.0 (.472)	21.8 (.858)	11.0 (.433)								

Note: 1) Products with the JIS mark conform to JIS C2805.

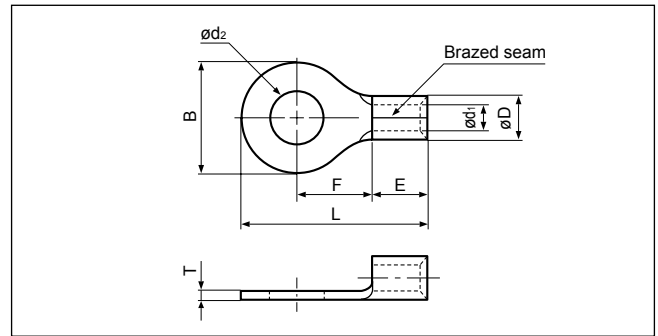
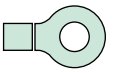
2) The part numbers indicated in the above table are for products with a brazed seam.

When ordering products with a nominal size of 0.5 to 5.5 with a butted seam, add the prefix "WS" to the part number (ex. 2-4 → **WS2-4**).

3) Delivery lead times may vary depending on the product. Contact JST for details.



RING TONGUE (R type) Non-insulated



Applicable Wire AWG#(mm ²)	Stud size		Part No.		Standard	Dimensions mm (in.)								Tool No.	Qty/box
	American	Metric	JST	JIS		ϕd_2	B	L	F	E	ϕD	ϕd_1	T		
16 to 14 (1.04 to 2.63)	3/8	10	2-10		UL JIS	10.5 (.413)	13.6 (.535)	25.5(1.004)	13.9 (.547)	4.8 (.189)	4.1 (.161)	2.3 (.091)	0.8 (.031)	YHT-2210 YA-1 YA-2 YA-4 BCT-0514L	1,000
	1/2	12	2-12			13.0 (.512)	19.0 (.748)	31.0(1.220)	16.7 (.675)						500
	1/2	14	2-14			15.0 (.591)	27.0(1.063)	39.5(1.555)	21.2 (.835)						
	5/8	16	2-16			17.0 (.669)	27.0(1.063)	39.5(1.555)	21.2 (.835)						
	3/4	20	2-20			21.0 (.827)	27.0(1.063)	39.5(1.555)	21.2 (.835)						
14 to 12 (3.5)	3-4	3	3.5-R3		UL JIS	3.2 (.126)	8.0 (.315)	17.8 (.707)	9.0 (.354)	4.8 (.189)	4.8 (.189)	2.7 (.106)	1.0 (.039)	YHT-2210 (Dies mark. 5) BCT-0514L	1,000
	8	4	3.5-R4			4.3 (.169)	8.0 (.315)	17.8 (.707)	9.0 (.354)						
	8	4	3.5-4			4.3 (.169)	10.3 (.406)	18.6 (.732)	8.6 (.339)						
	10	5	3.5-R5			5.3 (.209)	8.0 (.315)	17.8 (.707)	9.0 (.354)						
	10	5	3.5-5			5.3 (.209)	10.3 (.406)	18.6 (.732)	8.6 (.339)						
	1/4	6	3.5-6			6.4 (.252)	10.3 (.406)	18.6 (.732)	8.6 (.339)						
12 to 10 (2.63 to 6.64)	3-4	3	5.5-S3.3		UL JIS	3.2 (.126)	7.2 (.283)	15.7 (.618)	5.9 (.232)	5.6 (.220)	3.4 (.134)	1.0 (.039)	YHT-2210 YA-1 YA-2 YA-4 BCT-0514L	500	
	3-4	3	5.5-3			3.2 (.126)	9.5 (.374)	19.8 (.780)	8.3 (.327)					6.8 (.268)	
	5-6	3.5	5.5-S3			3.7 (.146)	7.2 (.283)	15.7 (.618)	5.9 (.232)					6.2 (.244)	
	5-6	3.5	5.5-3.7			3.7 (.146)	9.5 (.374)	19.8 (.780)	8.3 (.327)					6.8 (.268)	
	8	4	5.5-S4		UL JIS	4.3 (.169)	7.2 (.283)	15.7 (.618)	5.9 (.232)	6.8 (.268)	3.4 (.134)	1.0 (.039)	YHT-2210 YA-1 YA-2 YA-4 BCT-0514L	1,000	
	8	4	5.5-4NS			4.3 (.169)	8.0 (.315)	19.1 (.752)	8.3 (.327)						
	8	4	5.5-4	R5.5-4		UL JIS JIS	4.3 (.169)	9.5 (.374)	19.8 (.780)					8.3 (.327)	
	10	5	5.5-5NS			5.3 (.209)	8.0 (.315)	19.1 (.752)	8.3 (.327)						
	10	5	5.5-5	R5.5-5	UL JIS JIS	5.3 (.209)	9.5 (.374)	19.8 (.780)	8.3 (.327)						
	10	5	5.5-S5		UL JIS	5.3 (.209)	13.2 (.520)	22.4 (.882)	9.0 (.354)	6.8 (.268)	3.4 (.134)	1.0 (.039)	YHT-2210 YA-1 YA-2 YA-4 BCT-0514L	500	
	1/4	6	5.5-6NS			6.4 (.252)	9.0 (.354)	24.3 (.957)	13.0 (.512)						
	1/4	6	5.5-6	R5.5-6		UL JIS JIS	6.4 (.252)	12.0 (.472)	25.8(1.016)					13.0 (.512)	
	1/4	6	5.5-S6			6.4 (.252)	13.2 (.520)	22.4 (.882)	9.0 (.354)						
	1/4	6	5.5-L6		UL JIS	6.4 (.252)	15.0 (.591)	28.0(1.102)	13.7 (.539)	6.8 (.268)	3.4 (.134)	1.0 (.039)	YHT-2210 YA-1 YA-2 YA-4 BCT-0514L	500	
	5/16	8	5.5-S8			8.4 (.331)	13.2 (.520)	22.4 (.882)	9.0 (.354)						
	5/16	8	5.5-8	R5.5-8		UL JIS JIS	8.4 (.331)	15.0 (.591)	28.0(1.102)					13.7 (.539)	
	3/8	9	5.5-9			9.8 (.386)	15.0 (.591)	28.0(1.102)	13.7 (.539)						
	3/8	10	5.5-10	R5.5-10	UL JIS JIS	10.5 (.413)	15.0 (.591)	28.0(1.102)	13.7 (.539)						
	1/2	12	5.5-12		UL JIS	13.0 (.512)	19.2 (.756)	32.4(1.276)	16.0 (.630)	6.8 (.268)	3.4 (.134)	1.0 (.039)	YHT-2210 YA-1 YA-2 YA-4 BCT-0514L	200	
	1/2	14	5.5-14			15.0 (.591)	32.0(1.260)	48.1(1.894)	25.3 (.996)						
5/8	16	5.5-16		17.0 (.669)		32.0(1.260)	48.1(1.894)	25.3 (.996)							
11/16	18	5.5-18		19.0 (.748)		32.0(1.260)	48.1(1.894)	25.3 (.996)							
3/4	20	5.5-20		UL JIS	21.0 (.827)	32.0(1.260)	48.1(1.894)	25.3 (.996)							

Note: 1) Products with the JIS mark (JIS) conform to JIS C2805.

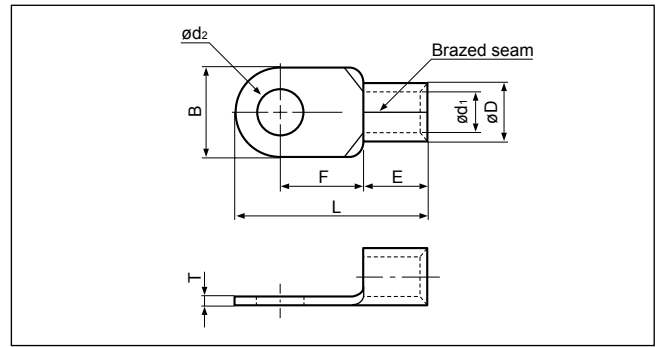
2) The part numbers indicated in the above table are for products with a brazed seam.

When ordering products with a nominal size of 0.5 to 5.5 with a butted seam, add the prefix "WS" to the part number (ex. 5.5-4 → **WS5.5-4**).

3) Delivery lead times may vary depending on the product. Contact JST for details.

Solderless terminals

RING TONGUE (R type) Non-insulated

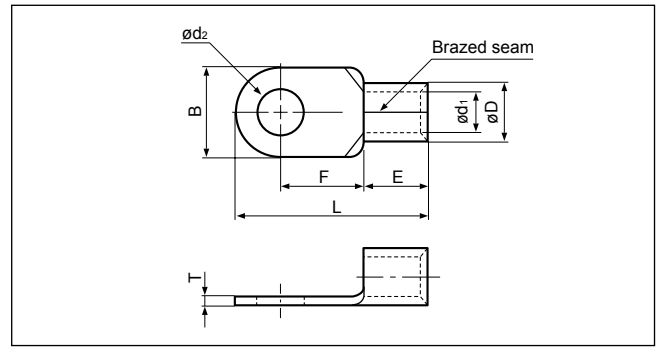


Applicable Wire AWG#(mm ²)	Stud size		Part No.		Standard	Dimensions mm (in.)							Tool No.	Qty/box			
	American	Metric	JST	JIS		ød ₂	B	L	F	E	øD	ød ₁			T		
8 (6.64 to 10.52)	8	4	8-NK4			4.3 (.169)	9.0 (.354)	16.5 (.650)	5.8 (.228)	6.2 (.244)	7.1 (.280)	4.5 (.177)	1.2 (.047)	YA-4 YPT-60N YF-1 YET-60-1 E-4 EP-1 (Note 2)	500		
	8	4	8-4NS			4.3 (.169)	8.0 (.315)	21.8 (.858)	9.3 (.366)	8.5 (.335)				YHT-8S YA-4, YA-5 YPT-60N YPT-150-1 BCT-0514L BCT-860L BCT-8150L YF-1 YET-60-1 E-4 YET-150-1 EP-1 YET-60-1	1,000		
	8	4	8-4			4.3 (.169)	12.0 (.472)	23.8 (.937)	9.3 (.366)	8.5 (.335)				YA-4 YPT-60N YF-1 YET-60-1 E-4 EP-1 (Note 2)	500		
	10	5	8-NK5			5.3 (.209)	9.0 (.354)	16.5 (.650)	5.8 (.228)	6.2 (.244)				8.5 (.335)	YHT-8S YA-4 YA-5 YPT-60N YPT-150-1 BCT-0514L BCT-860L BCT-8150L YF-1 YET-60-1 E-4 YET-150-1 EP-1 YET-60-1	500	
	10	5	8-5NS			5.3 (.209)	9.0 (.354)	22.3 (.878)	9.3 (.366)	YHT-8S							1,000
	10	5	8-5	R8-5		5.3 (.209)	12.0 (.472)	23.8 (.937)	9.3 (.366)	YA-4							500
	10	5	8-L5NS			5.3 (.209)	9.0 (.354)	26.8(1.055)	13.8 (.543)	YA-5							1,000
	10	5	8-L5			5.3 (.209)	15.0 (.591)	29.8(1.173)	13.8 (.543)	YPT-60N							500
	1/4	6	8-6NS			6.4 (.252)	9.6 (.378)	22.6 (.890)	9.3 (.366)	YPT-150-1							1,000
	1/4	6	8-6	R8-6		6.4 (.252)	12.0 (.472)	23.8 (.937)	9.3 (.366)	BCT-0514L							500
	1/4	6	8-L6			6.4 (.252)	15.0 (.591)	29.8(1.173)	13.8 (.543)	BCT-860L							1,000
	5/16	8	8-8NS			8.4 (.331)	11.5 (.453)	28.1(1.106)	13.8 (.543)	BCT-8150L							500
	5/16	8	8-8	R8-8		8.4 (.331)	15.0 (.591)	29.8(1.173)	13.8 (.543)	YF-1 YET-60-1 E-4 YET-150-1 EP-1 YET-60-1							500
	3/8	10	8-10	R8-10		10.5 (.413)	15.0 (.591)	29.8(1.173)	13.8 (.543)	200							
	3/8	10	8-L10			10.5 (.413)	20.0 (.787)	33.5(1.319)	15.0 (.591)								
	7/16	11	8-11			11.5 (.453)	20.0 (.787)	33.5(1.319)	15.0 (.591)								
	1/2	12	8-12			13.0 (.512)	20.0 (.787)	33.5(1.319)	15.0 (.591)								
1/2	14	8-14			15.0 (.591)	31.6(1.244)	50.0(1.969)	25.7(1.012)									
5/8	16	8-16			17.0 (.669)	31.6(1.244)	50.0(1.969)	25.7(1.012)									
11/16	18	8-18			19.0 (.748)	31.6(1.244)	50.0(1.969)	25.7(1.012)									
3/4	20	8-20			21.0 (.827)	31.6(1.244)	50.0(1.969)	25.7(1.012)									

Note: 1) Products with the JIS mark conform to JIS C2805.
 2) Please use the die AD-901S for the pneumatic tool YA-4, and the die 8NK-6 for the hydraulic tools YPT-60N/YET-60-1.
 3) Delivery lead times may vary depending on the product. Contact JST for details.

Solderless terminals

RING TONGUE (R type) Non-insulated

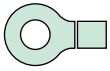


Applicable Wire AWG#(mm ²)	Stud size		Part No.		Standard	Dimensions mm (in.)							Tool No.	Qty/box	
	American	Metric	JST	JIS		ød2	B	L	F	E	øD	ød1			T
6 (10.52 to 16.78)	8	4	14-4			4.3 (.169)	12.0 (.472)	29.8(1.173)	13.3 (.524)	10.5 (.413)	9.0 (.354)	5.8 (.228)	1.5 (.059)	YA-4 YA-5 YPT-60N BCT-0514L BCT-860L BCT-8150L YF-1 YET-60-1 E-4 YET-150-1 EP-1 YET-60-1	200
	8	4	14-NK4		UL	4.3 (.169)	12.2 (.480)	23.0 (.906)	7.7 (.303)	9.2 (.362)					
	10	5	14-5NS			5.3 (.209)	9.0 (.354)	28.3(1.114)	13.3 (.524)	10.5 (.413)					
	10	5		R14-5	UL	5.3 (.209)	12.0 (.472)	29.8(1.173)	13.3 (.524)	10.5 (.413)					
	10	5	14-NK5		UL	5.3 (.209)	12.2 (.480)	23.0 (.906)	7.7 (.303)	9.2 (.362)					
	1/4	6	14-6NS			6.4 (.252)	9.6 (.378)	28.6(1.126)	13.3 (.524)	10.5 (.413)					
	1/4	6	14-6	R14-6	UL	6.4 (.252)	12.0 (.472)	29.8(1.173)	13.3 (.524)	10.5 (.413)					
	1/4	6	14-L6			6.4 (.252)	16.0 (.630)	32.8(1.291)	14.5 (.571)	10.5 (.413)					
	5/16	8	14-8NS		UL	8.4 (.331)	11.5 (.453)	30.8(1.213)	14.5 (.571)	10.5 (.413)					
	5/16	8	14-S8			8.4 (.331)	12.0 (.472)	31.0(1.220)	14.5 (.571)	10.5 (.413)					
	5/16	8	14-8	R14-8	UL	8.4 (.331)	16.0 (.630)	32.8(1.291)	14.5 (.571)	10.5 (.413)					
	3/8	9	14-9		UL	9.8 (.386)	16.0 (.630)	32.8(1.291)	14.5 (.571)	10.5 (.413)					
	3/8	10	14-10	R14-10	UL	10.5 (.413)	16.0 (.630)	32.8(1.291)	14.5 (.571)	10.5 (.413)					
	3/8	10	14-L10		UL	10.5 (.413)	22.0 (.866)	41.0(1.614)	19.5 (.739)	10.5 (.413)					
	7/16	11	14-11		UL	11.5 (.453)	22.0 (.866)	41.0(1.614)	19.5 (.739)	10.5 (.413)					
	1/2	12	14-12	R14-12	UL	13.0 (.512)	22.0 (.866)	41.0(1.614)	19.5 (.739)	10.5 (.413)					
	1/2	14	14-14	R14-14	UL	15.0 (.591)	30.0(1.181)	49.0(1.929)	23.5 (.925)	10.5 (.413)					
	5/8	16	14-16			17.0 (.669)	31.6(1.244)	51.5(2.028)	25.2 (.992)	10.5 (.413)					
11/16	18	14-18		UL	19.0 (.748)	31.6(1.244)	51.5(2.028)	25.2 (.992)	10.5 (.413)						
3/4	20	14-20			21.0 (.827)	31.6(1.244)	51.5(2.028)	25.2 (.992)	10.5 (.413)						
4 (16.78 to 26.66)	10	5	22-5NS			5.3 (.209)	9.5 (.374)	28.7(1.130)	12.0 (.472)	12.0 (.472)	11.5 (.453)	7.7 (.303)	1.8 (.071)	YA-5 YPT-60N YPT-150-1 BCT-860L BCT-8150L YF-1 YET-60-1 E-4 YET-150-1 EP-1 YET-60-1	100
	10	5	22-S5		UL	5.3 (.209)	12.0 (.472)	30.0(1.181)	12.0 (.472)						
	10	5	22-5			5.3 (.209)	16.5 (.650)	33.7(1.327)	13.5 (.531)						
	1/4	6	22-S6			6.4 (.252)	12.0 (.472)	30.0(1.181)	12.0 (.472)						
	1/4	6	22-6	R22-6	UL	6.4 (.252)	16.5 (.650)	33.7(1.327)	13.5 (.531)						
	5/16	8	22-S8		UL	8.4 (.331)	12.0 (.427)	30.0(1.181)	12.0 (.472)						
	5/16	8	22-8	R22-8	UL	8.4 (.331)	16.5 (.650)	33.7(1.327)	13.5 (.531)						
	3/8	9	22-9		UL	9.8 (.386)	17.5 (.689)	36.7(1.445)	16.0 (.630)						
	3/8	10	22-S10		UL	10.5 (.413)	16.5 (.650)	33.7(1.327)	13.5 (.531)						
	3/8	10	22-10	R22-10	UL	10.5 (.413)	17.5 (.689)	36.7(1.445)	16.0 (.630)						
	7/16	11	22-11		UL	11.5 (.453)	22.0 (.866)	42.5(1.673)	19.5 (.768)						
	1/2	12	22-12	R22-12	UL	13.0 (.512)	22.0 (.866)	42.5(1.673)	19.5 (.768)						
	1/2	14		R22-14	UL	15.0 (.591)	30.0(1.181)	51.5(2.038)	24.5 (.965)						
	5/8	16	22-16			17.0 (.669)	30.0(1.181)	51.5(2.028)	24.5 (.965)						
11/16	18	22-18		UL	19.0 (.748)	30.0(1.181)	51.5(2.028)	24.5 (.965)							
3/4	20	22-20			21.0 (.827)	30.0(1.181)	51.5(2.028)	24.5 (.965)							

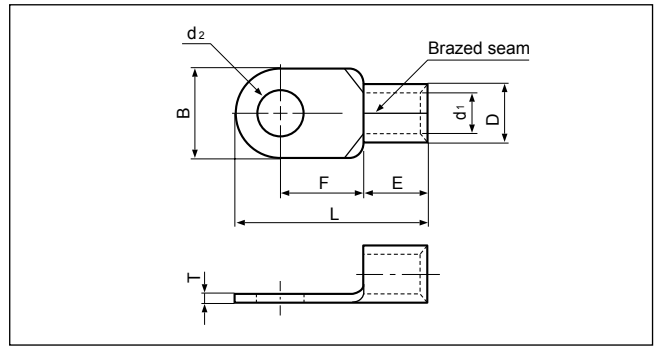
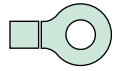
Note:1) Products with the JIS mark (UL) conform to JIS C2805.

2) Delivery lead times may vary depending on the product. Contact JST for details.

Solderless terminals



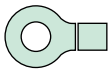
RING TONGUE (R type) Non-insulated



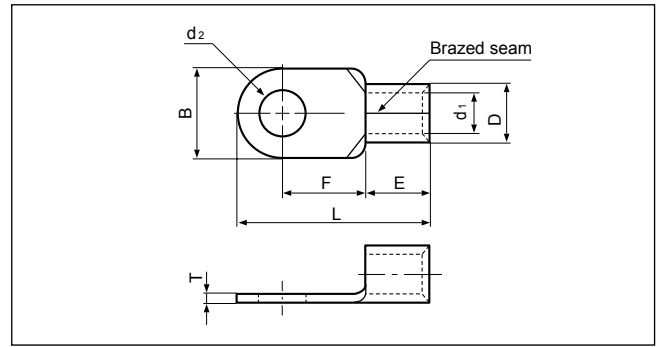
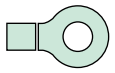
Applicable Wire AWG#(mm ²)	Stud size		Part No.		Standard	Dimensions mm (in.)								Tool No.	Qty/box
	American	Metric	JST	JIS		ød ₂	B	L	F	E	øD	ød ₁	T		
2 (26.66 to 42.42)	10	5	38-S5		UL LF0001	5.3 (.209)	15.5 (.610)	38.0(1.496)	16.0 (.630)	14.0 (.551)	13.3 (.524)	9.4 (.370)	1.8 (.071)	YA-5 YPT-60N YPT-150-1 BCT-860L BCT-8150L YF-1 E-4 EP-1	100
	10	5	38-5			5.3 (.209)	22.0 (.866)	42.7(1.681)	17.7 (.697)						
	1/4	6	38-S6			6.4 (.252)	15.5 (.610)	38.0(1.496)	16.0 (.630)						
	1/4	6	38-6			6.4 (.252)	22.0 (.866)	42.7(1.681)	17.7 (.697)						
	5/16	8	38-S8			8.4 (.331)	15.5 (.610)	38.0(1.496)	16.0 (.630)						
	5/16	8	38-8	R38-8	UL LF0001	8.4 (.331)	22.0 (.866)	42.7(1.681)	17.7 (.697)						
	5/16	8	38-L8		8.4 (.331)	30.0(1.181)	52.5(2.067)	23.5 (.925)							
	3/8	9	38-9		9.8 (.386)	22.0 (.866)	42.7(1.681)	17.7 (.697)							
	3/8	10	38-S10		10.5 (.413)	15.5 (.610)	38.0(1.496)	16.0 (.630)							
	3/8	10	38-10	R38-10	UL LF0001	10.5 (.413)	22.0 (.866)	42.7(1.681)	17.7 (.697)						
	3/8	10	38-L10		10.5 (.413)	30.0(1.181)	52.5(2.067)	23.5 (.925)							
	7/16	11	38-11		11.5 (.453)	22.0 (.866)	42.7(1.681)	17.7 (.697)							
	1/2	12	38-12	R38-12	UL LF0001	13.0 (.512)	22.0 (.866)	42.7(1.681)	17.7 (.697)						
	1/2	14	38-14	R38-14	UL LF0001	15.0 (.591)	30.0(1.181)	52.5(2.067)	23.5 (.925)						
5/8	16	38-16		17.0 (.669)	30.0(1.181)	52.5(2.067)	23.5 (.925)								
11/16	18	38-18		19.0 (.748)	30.0(1.181)	52.5(2.067)	23.5 (.925)								
3/4	20	38-20		21.0 (.827)	30.0(1.181)	52.5(2.067)	23.5 (.925)								
1/0 (42.42 to 60.57)	1/4	6	60-S6		UL LF0001	6.4 (.252)	16.0 (.630)	46.7(1.839)	20.7 (.815)	18.0 (.709)	15.5 (.610)	11.4 (.449)	2.0 (.079)	YA-5 YPT-60N YPT-150-1 BCT-860L BCT-8150L YF-1 E-4 EP-1	50
	1/4	6	60-6		6.4 (.252)	22.0 (.866)	49.7(1.957)	20.7 (.815)							
	5/16	8	60-S8		8.4 (.331)	16.0 (.630)	46.7(1.839)	20.7 (.815)							
	5/16	8	60-8	R60-8	UL LF0001	8.4 (.331)	22.0 (.866)	49.7(1.957)	20.7 (.815)						
	3/8	9	60-9		9.8 (.386)	22.0 (.866)	49.7(1.957)	20.7 (.815)							
	3/8	10	60-S10		10.5 (.413)	16.0 (.630)	46.7(1.839)	20.7 (.815)							
	3/8	10	60-10	R60-10	UL LF0001	10.5 (.413)	22.0 (.866)	49.7(1.957)	20.7 (.815)						
	7/16	11	60-11		11.5 (.453)	22.0 (.866)	49.7(1.957)	20.7 (.815)							
	1/2	12	60-12	R60-12	UL LF0001	13.0 (.512)	22.0 (.866)	49.7(1.957)	20.7 (.815)						
	1/2	14	60-14	R60-14	UL LF0001	15.0 (.591)	32.0(1.260)	57.5(2.264)	23.5 (.925)						
	5/8	16	60-16		17.0 (.669)	32.0(1.260)	57.5(2.264)	23.5 (.925)							
	11/16	18	60-18		19.0 (.748)	32.0(1.260)	57.5(2.264)	23.5 (.925)							
3/4	20	60-20		21.0 (.827)	32.0(1.260)	57.5(2.264)	23.5 (.925)								
7/8	22	60-22		23.0 (.906)	32.0(1.260)	57.5(2.264)	23.5 (.925)								
2/0 (60.57 to 76.28)	1/4	6	70-6		UL LF0001	6.4 (.252)	24.0 (.945)	51.0(2.008)	20.0 (.787)	19.0 (.748)	17.5 (.689)	13.3 (.524)	2.0 (.079)	YPT-150-1 BCT-8150L YF-1 E-4 EP-1	25
	5/16	8	70-8			8.4 (.331)	24.0 (.945)	51.0(2.008)	20.0 (.787)						
	3/8	9	70-9			9.8 (.386)	24.0 (.945)	51.0(2.008)	20.0 (.787)						
	3/8	10	70-10			10.5 (.413)	24.0 (.945)	51.0(2.008)	20.0 (.787)						
	7/16	11	70-11			11.5 (.453)	24.0 (.945)	51.0(2.008)	20.0 (.787)						
	1/2	12	70-12			13.0 (.512)	24.0 (.945)	51.0(2.008)	20.0 (.787)						
	1/2	14	70-14			15.0 (.591)	32.0(1.260)	61.0(2.402)	26.0(1.024)						
	5/8	16	70-16			17.0 (.669)	32.0(1.260)	61.0(2.402)	26.0(1.024)						
	11/16	18	70-18			19.0 (.748)	32.0(1.260)	61.0(2.402)	26.0(1.024)						
	3/4	20	70-20			21.0 (.827)	32.0(1.260)	61.0(2.402)	26.0(1.024)						
7/8	22	70-22		23.0 (.906)	32.0(1.260)	61.0(2.402)	26.0(1.024)								

Note: 1) Products with the JIS mark (㊤) conform to JIS C2805.
 2) Part numbers containing "S0" do not have stud holes.
 3) Delivery lead times may vary depending on the product. Contact JST for details.

Solderless terminals



RING TONGUE (R type) Non-insulated

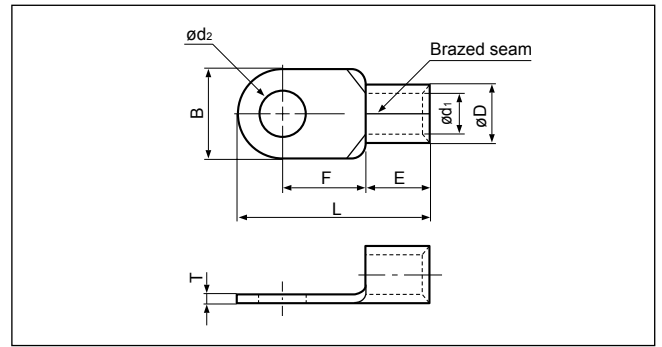


Applicable Wire AWG#(mm ²)	Stud size		Part No.		Standard	Dimensions mm (in.)								Tool No.	Qty/box	
	American	Metric	JST	JIS		ød ₂	B	L	F	E	øD	ød ₁	T			
3/0 (76.28 to 96.3)	1/4	6	80-6		UL CSA SP	6.4 (.252)	27.0(1.063)	54.2(2.134)	20.7 (.815)	20.0 (.787)	19.5 (.768)	14.5 (.571)	2.3 (.091)	YPT-150-1 BCT-8150L YF-1 E-4 EP-1 YET-150-1 YF-1 E-4 YET-300-1 YET-300N	25	
	5/16	8	80-8			8.4 (.331)	27.0(1.063)	54.2(2.134)	20.7 (.815)							
	5/16	8	80-L8			8.4 (.331)	32.0(1.260)	68.0(2.677)	32.0(1.260)							
	3/8	10	80-10			10.5 (.413)	27.0(1.063)	54.2(2.134)	20.7 (.815)							
	3/8	10	80-L10			10.5 (.413)	32.0(1.260)	68.0(2.677)	32.0(1.260)							
	7/16	11	80-11			11.5 (.453)	27.0(1.063)	54.2(2.134)	20.7 (.815)							
	1/2	12	80-12			13.0 (.512)	27.0(1.063)	54.2(2.134)	20.7 (.815)							
	1/2	12	80-L12			13.0 (.512)	32.0(1.260)	68.0(2.677)	32.0(1.260)							
	1/2	14	80-14			15.0 (.591)	32.0(1.260)	68.0(2.677)	32.0(1.260)							
	5/8	16	80-16			17.0 (.669)	32.0(1.260)	68.0(2.677)	32.0(1.260)							
	11/16	18	80-18			19.0 (.748)	32.0(1.260)	68.0(2.677)	32.0(1.260)							
	3/4	20	80-20			21.0 (.827)	32.0(1.260)	68.0(2.677)	32.0(1.260)							
	4/0 (96.3 to 117.2)	1/4	6	100-6			UL CSA SP	6.4 (.252)	28.5(1.122)							55.6(2.189)
5/16		8	100-8		8.4 (.331)	28.5(1.122)		55.6(2.189)	20.4 (.803)							
5/16		8	100-L8		8.4 (.331)	32.0(1.260)		69.0(2.717)	32.0(1.260)							
3/8		9	100-9		9.8 (.386)	28.5(1.122)		55.6(2.189)	20.4 (.803)							
3/8		10	100-10	R100-10	UL CSA SP JIS	10.5 (.413)		28.5(1.122)	55.6(2.189)	20.4 (.803)						
3/8		10	100-L10		10.5 (.413)	32.0(1.260)		69.0(2.717)	32.0(1.260)							
1/2		12	100-12	R100-12	UL CSA SP JIS	13.0 (.512)		28.5(1.122)	55.6(2.189)	20.4 (.803)						
1/2		12	100-L12		13.0 (.512)	32.0(1.260)		69.0(2.717)	32.0(1.260)							
1/2		14	100-14	R100-14	UL CSA SP JIS	15.0 (.591)		32.0(1.260)	69.0(2.717)	32.0(1.260)						
5/8		16	100-16	R100-16	UL CSA SP JIS	17.0 (.669)		32.0(1.260)	69.0(2.717)	32.0(1.260)						
7/8	22	100-22		UL CSA SP	23.0 (.906)	32.0(1.260)	69.0(2.717)	32.0(1.260)								

Note: 1) Products with the JIS mark (JIS) conform to JIS C2805.
 2) Part numbers containing "S0" or "L0" do not have stud holes.

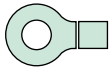
Solderless terminals

RING TONGUE (R type) Non-insulated

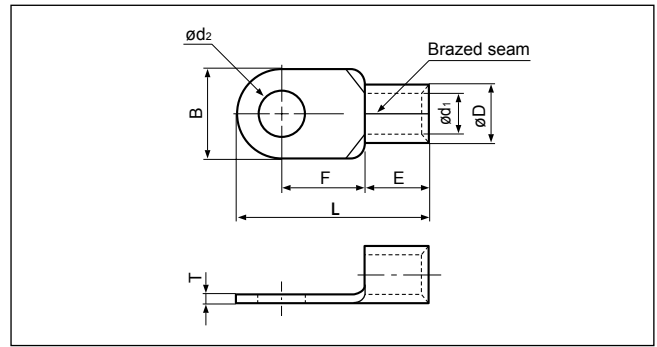
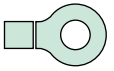


Applicable Wire AWG#(mm ²)	Stud size		Part No.	Standard	Dimensions mm (in.)								Tool No.	Qty/box		
	American	Metric			ød2	B	L	F	E	øD	ød1	T				
250/300 (117.2 to 152.05)	-	-	150-L0		-	36.0(1.417)	81.0(3.189)	36.0(1.417)								
	1/4	6	150-6	UL ULTEF SF	6.4 (.252)	36.0(1.417)	66.0(2.600)	23.0 (.906)								
	5/16	8	150-8		8.4 (.331)	36.0(1.417)	66.0(2.600)	23.0 (.906)								
	5/16	8	150-L8		8.4 (.331)	36.0(1.417)	81.0(3.189)	36.0(1.417)								
	3/8	10	R150-10	UL ULTEF SF JIS	10.5 (.413)	36.0(1.417)	66.0(2.600)	21.0 (.827)								
	3/8	10	150-10		10.5 (.413)	36.0(1.417)	66.0(2.600)	23.0 (.906)								
	3/8	10	150-L10	UL ULTEF SF	10.5 (.413)	36.0(1.417)	81.0(3.189)	36.0(1.417)								
	7/16	11	150-11		11.5 (.453)	36.0(1.417)	66.0(2.600)	23.0 (.906)								
	1/2	12	R150-12	UL ULTEF SF JIS	13.0 (.512)	36.0(1.417)	66.0(2.600)	21.0 (.827)								
	1/2	12	150-12		13.0 (.512)	36.0(1.417)	66.0(2.600)	23.0 (.906)	27.0 (1.063)	26.5 (1.043)	19.5 (.768)	3.2 (.126)				
	1/2	12	150-L12	UL ULTEF SF	13.0 (.512)	36.0(1.417)	81.0(3.189)	36.0(1.417)								
	1/2	14	R150-14		UL ULTEF SF JIS	15.0 (.591)	36.0(1.417)	68.0(2.677)	23.0 (.906)							
	5/8	16	150-16	UL ULTEF SF		17.0 (.669)	36.0(1.417)	66.0(2.600)	23.0 (.906)							
	5/8	16	R150-16		UL ULTEF SF JIS	17.0 (.669)	36.0(1.417)	68.0(2.677)	23.0 (.906)							
	5/8	16	150-L16	UL ULTEF SF		17.0 (.669)	36.0(1.417)	81.0(3.189)	36.0(1.417)							
	11/16	18	R150-18		UL ULTEF SF JIS	19.0 (.748)	36.0(1.417)	81.0(3.189)	36.0(1.417)							
	3/4	20	150-20	21.0 (.827)		36.0(1.417)	81.0(3.189)	36.0(1.417)								
	7/8	22	150-22	UL ULTEF SF	23.0 (.906)	36.0(1.417)	81.0(3.189)	36.0(1.417)								
15/16	24	150-24	25.0 (.984)		36.0(1.417)	81.0(3.189)	36.0(1.417)									
1	27	150-27	28.0(1.102)		36.0(1.417)	81.0(3.189)	36.0(1.417)									
350 (152.05 to 192.60)	5/16	8	180-8	UL ULTEF SF	8.4 (.331)	38.5(1.516)	69.0(2.717)	24.5 (.965)								
	5/16	8	180-L8		8.4 (.331)	38.5(1.516)	86.8(3.417)	39.0(1.535)								
	3/8	10	180-10		10.5 (.413)	38.5(1.516)	69.0(2.717)	24.5 (.965)								
	3/8	10	180-L10		10.5 (.413)	38.5(1.516)	86.8(3.417)	39.0(1.535)								
	7/16	11	180-11		1.5 (.453)	38.5(1.516)	69.0(2.717)	24.5 (.965)								
	1/2	12	180-12		13.0 (.512)	38.5(1.516)	69.0(2.717)	24.5 (.965)								
	1/2	12	180-L12		13.0 (.512)	38.5(1.516)	86.8(3.417)	39.0(1.535)	28.5 (1.122)	28.5 (1.122)	21.0 (.827)	3.5 (.138)				
	1/2	14	180-14		UL ULTEF SF	15.0 (.591)	38.5(1.516)	69.0(2.717)	24.5 (.965)							
	5/8	16	180-L16			17.0 (.669)	38.5(1.516)	86.8(3.417)	39.0(1.535)							
	5/8	16	180-16		UL ULTEF SF	17.0 (.669)	38.5(1.516)	69.0(2.717)	24.5 (.965)							
	11/16	18	180-18			19.0 (.748)	38.5(1.516)	86.8(3.417)	39.0(1.535)							
	3/4	20	180-20		UL ULTEF SF	21.0 (.827)	38.5(1.516)	86.8(3.417)	39.0(1.535)							
	7/8	22	180-22			23.0 (.906)	38.5(1.516)	86.8(3.417)	39.0(1.535)							
	15/16	24	180-24		UL ULTEF SF	25.0 (.984)	38.5(1.516)	86.8(3.417)	39.0(1.535)							
	1	27	180-27			28.0(1.102)	38.5(1.516)	86.8(3.417)	39.0(1.535)							

Note: 1) Products with the JIS mark conform to JIS C2805.
 2) Part numbers containing "S0" or "L0" do not have stud holes.
 3) Delivery lead times may vary depending on the product. Contact JST for details.



RING TONGUE (R type) Non-insulated



Applicable Wire AWG#(mm ²)	Stud size		Part No.	Standard	Dimensions mm (in.)							Tool No.	Qty/box	
	American	Metric			ϕd_2	B	L	F	E	ϕD	ϕd_1			T
400 (192.60 to 242.27)	-	-	200-L0		-	44.0(1.732)	91.0(3.583)	37.5(1.476)	31.5 (1.240)	32.7 (1.287)	24.0 (.945)	4.0 (.157)	YF-1 YET-300-1 E-4 YET-300N	10
	12/16	8	200-8		8.4 (.331)	44.0(1.732)	72.0(2.835)	24.5 (.965)						
	5/16	8	200-L8		8.4 (.331)	44.0(1.732)	72.0(2.835)	24.5 (.965)						
	3/8	10	200-10	UL	10.5 (.413)	44.0(1.732)	72.0(2.835)	24.5 (.965)						
	3/8	10	200-L10		10.5 (.413)	44.0(1.732)	91.0(3.583)	37.5(1.476)						
	7/16	11	200-11		11.5 (.453)	44.0(1.732)	72.0(2.835)	24.5 (.965)						
	1/2	12	200-12		13.0 (.512)	44.0(1.732)	72.0(2.835)	24.5 (.965)						
	1/2	12	R200-12	UL	13.0 (.512)	44.0(1.732)	78.0(3.071)	24.5 (.965)						
	1/2	12	200-L12		13.0 (.512)	44.0(1.732)	91.0(3.583)	37.5(1.476)						
	1/2	14	200-14	UL	15.0 (.591)	44.0(1.732)	72.0(2.835)	24.5 (.965)						
	1/2	14	R200-14	UL	15.0 (.591)	44.0(1.732)	78.0(3.071)	24.5 (.965)						
	5/8	16	200-16	UL	17.0 (.669)	44.0(1.732)	72.0(2.835)	24.5 (.965)						
	5/8	16	R200-16	UL	17.0 (.669)	44.0(1.732)	78.0(3.071)	24.5 (.965)						
	5/8	16	200-L16	UL	17.0 (.669)	44.0(1.732)	91.0(3.583)	37.5(1.476)						
	11/16	18	R200-18		19.0 (.748)	44.0(1.732)	91.0(3.583)	37.5(1.476)						
	3/4	20	R200-20		21.0 (.827)	44.0(1.732)	91.0(3.583)	37.5(1.476)						
	7/8	22	R200-22	UL	23.0 (.906)	44.0(1.732)	91.0(3.583)	37.5(1.476)						
15/16	24	R200-24		25.0 (.984)	44.0(1.732)	91.0(3.583)	37.5(1.476)							
1	27	R200-27		28.0(1.102)	44.0(1.732)	91.0(3.583)	37.5(1.476)							
N.A. (250)	1/2	12	250-12		13.0 (.512)	44.0(1.732)	78.0(3.071)	24.5 (.965)	31.5 (1.240)	35.6 (1.402)	26.0 (1.024)	4.5 (.177)	YF-1 YET-300-1 E-4 YET-300N	
	1/2	14	250-14		15.0 (.591)									
	5/8	16	250-16		17.0 (.669)									
600/650 (242.27 to 325)	-	-	325-L0		-	50.5(1.988)	105.7(4.161)	45.0(1.772)	35.5 (1.398)	37.6 (1.480)	28.0 (1.102)	4.5 (.177)	YF-1 YET-300-1 E-4 YET-300N	5
	12/16	8	325-8		8.4 (.331)	50.5(1.988)	88.0(3.465)	33.5(1.319)						
	5/16	8	325-L8		8.4 (.331)	50.5(1.988)	105.7(4.161)	45.0(1.772)						
	3/8	10	325-10		10.5 (.413)	50.5(1.988)	88.0(3.465)	33.5(1.319)						
	3/8	10	325-L10		10.5 (.413)	50.5(1.988)	105.7(4.161)	45.0(1.772)						
	7/16	11	325-11	UL	11.5 (.453)	50.5(1.988)	88.0(3.465)	33.5(1.319)						
	1/2	12	325-12		13.0 (.512)	50.5(1.988)	88.0(3.465)	33.5(1.319)						
	1/2	12	325-L12		13.0 (.512)	50.5(1.988)	105.7(4.161)	45.0(1.772)						
	1/2	14	325-14		15.0 (.591)	50.5(1.988)	88.0(3.465)	33.5(1.319)						
	5/8	16	325-16		17.0 (.669)	50.5(1.988)	88.0(3.465)	33.5(1.319)						
	5/8	16	R325-16	UL	17.0 (.669)	50.5(1.988)	94.2(3.709)	33.5(1.319)						
	5/8	16	325-L16	UL	17.0 (.669)	50.5(1.988)	105.7(4.161)	45.0(1.772)						
	11/16	18	325-M18	UL	19.0 (.748)	50.5(1.988)	94.2(3.709)	33.5(1.319)						
	11/16	18	R325-18		19.0 (.748)	50.5(1.988)	105.7(4.161)	45.0(1.772)						
	3/4	20	R325-20		21.0 (.827)	50.5(1.988)	105.7(4.161)	45.0(1.772)						
	7/8	22	R325-22	UL	23.0 (.906)	50.5(1.988)	105.7(4.161)	45.0(1.772)						
	15/16	24	R325-24		25.0 (.984)	50.5(1.988)	105.7(4.161)	45.0(1.772)						
1	27	R325-27		28.0(1.102)	50.5(1.988)	105.7(4.161)	45.0(1.772)							

Note: 1) Products with the JIS mark conform to JIS C2805.
 2) Part numbers containing "S0" or "L0" do not have stud holes.
 3) Delivery lead times may vary depending on the product. Contact JST for details.