

**PLEASE CHECK WWW.MOLEX.COM FOR LATEST PART INFORMATION**

**Part Number:** [0022233104](#)  
**Status:** **Active**  
**Description:** 2.54mm (.100") Pitch KK® Solid Header, Vertical, with Staggered Tail, 10 Circuits

**Documents:**

[3D Model](#) [RoHS Certificate of Compliance \(PDF\)](#)  
[Drawing \(PDF\)](#)

**Agency Certification**

CSA LR19980  
 UL E29179

**General**

Product Family PCB Headers  
 Series [42009](#)  
 Application Wire-to-Board  
 Product Name KK®

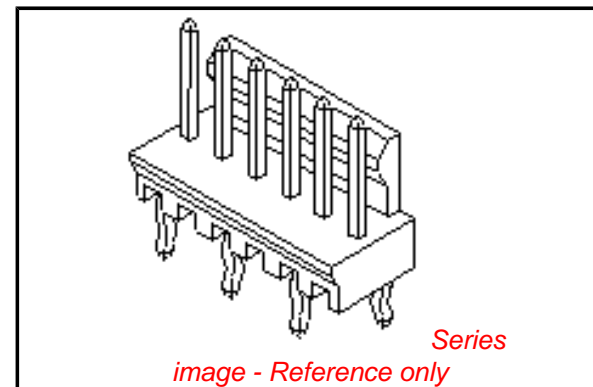
**Physical**

Breakaway No  
 Circuits (Loaded) 10  
 Circuits (maximum) 10  
 Color - Resin Natural  
 Durability (mating cycles max) 25  
 Flammability 94V-0  
 Glow-Wire Compliant No  
 Lock to Mating Part Yes  
 Material - Plating Mating Tin  
 Material - Plating Termination Tin  
 Material - Resin Polyester  
 Number of Rows 1  
 Orientation Vertical  
 PC Tail Length (in) 0.130 In  
 PC Tail Length (mm) 3.30 mm  
 PCB Locator No  
 PCB Retention Yes  
 PCB Thickness Recommended (in) 0.062 In  
 PCB Thickness Recommended (mm) 1.60 mm  
 Packaging Type Bag  
 Pitch - Mating Interface (in) 0.100 In  
 Pitch - Mating Interface (mm) 2.54 mm  
 Plating min: Mating (µin) 200  
 Plating min: Mating (µm) 5  
 Plating min: Termination (µin) 200  
 Plating min: Termination (µm) 5  
 Polarized to Mating Part Yes  
 Polarized to PCB No  
 Shrouded Partial  
 Stackable No  
 Temperature Range - Operating 0°C to +75°C  
 Termination Interface: Style Through Hole

**Electrical**

Current - Maximum per Contact 4A  
 Voltage - Maximum 250V

**Solder Process Data**



**EU RoHS**

**ELV and RoHS  
 Compliant**  
**REACH SVHC  
 Contains SVHC: No**  
**Halogen-Free  
 Status**

**China RoHS**



**Not Reviewed**

**Need more information on product  
 environmental compliance?**

Email [productcompliance@molex.com](mailto:productcompliance@molex.com)  
 For a multiple part number RoHS Certificate of  
 Compliance, [click here](#)

Please visit the [Contact Us](#) section for any  
 non-product compliance questions.

**Search Parts in this Series**

[42009Series](#)

**Mates With**

[2695](#) , [6471](#) , [7880](#) , [4455](#) , [7720](#) , [40555](#)

Duration at Max. Process Temperature (seconds)	5
Lead-free Process Capability	Wave Capable (TH only)
Max. Cycles at Max. Process Temperature	1
Process Temperature max. C	235

**Material Info**

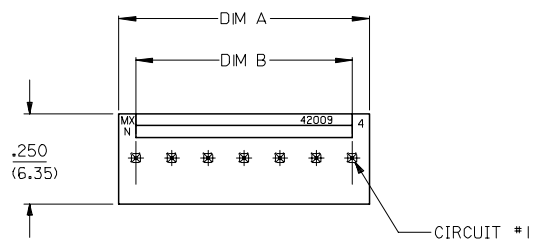
Old Part Number	A-42009-10
-----------------	------------

**Reference - Drawing Numbers**

Sales Drawing	SDA-42009-*
---------------	-------------

This document was generated on 03/19/2010

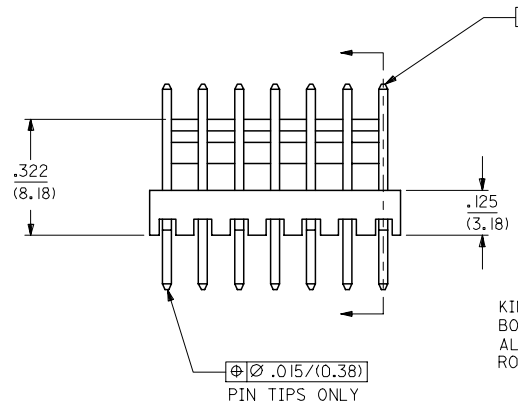
**PLEASE CHECK [WWW.MOLEX.COM](http://WWW.MOLEX.COM) FOR LATEST PART INFORMATION**



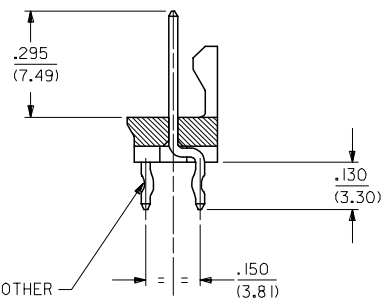
- NOTES
1. MATERIAL: INSULATOR - POLYESTER, GLASS FILLED  
PIN - BRASS
  2. FINISH: TIN: .000200/(0.00508) MIN.,  
OVERALL COPPER UNDERPLATE: .000100/(0.00254) MIN.
  3. PRODUCT SPECIFICATION: PS-10-07
  4. BULK PACK PER PK-43009-001
  5. THIS PART CONFORMS TO CLASS B REQUIREMENTS OF  
COSMETIC SPECIFICATION PS-45499-002.

ENG. NO. DESIGNATION:

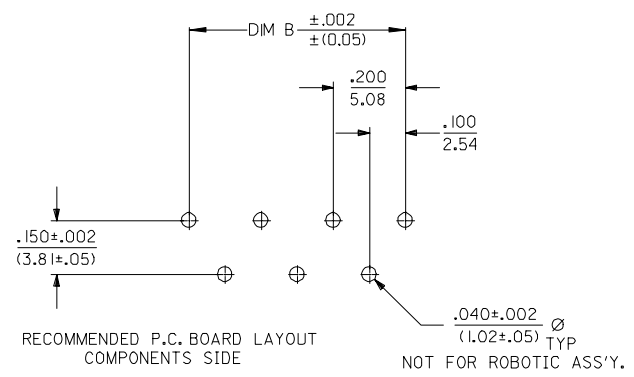
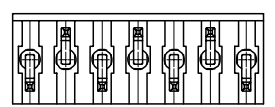
A-42009- N \* - \*\*  
 CKT. SIZE - - - - - VOID PIN DESIGNATION  
 A = #1 PIN  
 B = #2 PIN  
 C = #3 PIN  
 ECT.  
 MOLDED COLOR:  
 BLANK = NATURAL  
 A = BLUE  
 E = GREEN  
 R = RED  
 H = BLACK



KINKED PINS FOR P.C.  
BOARD RETENTION-  
ALL PINS KINKED, TWO  
ROWS OPPOSING EACH OTHER



10	.995/(25.27)	.900/(22.86)
9	.895/(22.73)	.800/(20.32)
8	.795/(20.19)	.700/(17.78)
7	.695/(17.65)	.600/(15.24)
6	.595/(15.11)	.500/(12.70)
5	.495/(12.57)	.400/(10.16)
4	.395/(10.03)	.300/(7.62)
3	.295/(7.49)	.200/(5.08)
2	.195/(4.95)	.100/(2.54)
CKT SIZE	DIM A	DIM B



3	I1
2	H1
1	J1
SHT. REV.	

ADD TOL. BLOCK EC NO: UCP2007-1476 DRAWN/PR/DER 2006/12/19 CHKD:ADERR 2006/12/19 APPR:FSM TH 2006/12/20 J1 REV	QUALITY SYMBOLS ▽=0 ▽=0	GENERAL TOLERANCES (UNLESS SPECIFIED)		DIMENSION STYLE IN/MM		SCALE 1:1	DESIGN UNITS INCH	THIRD ANGLE PROJECTION
		4 PLACES ± --- ± --- 3 PLACES ± --- ± .010 2 PLACES ± 0.25 ± .014 1 PLACE ± 0.36 ± --- ANGULAR ±1/2°	DRAWN BY EDGLEY	DATE 1986/11/29	TITLE WAFER, FRICTION LOCK ASSEMBLY			
		DRAFT WHERE APPLICABLE MUST REMAIN WITHIN DIMENSIONS	CHECKED BY EDGLEY	DATE 1986/11/29	MOLEX INCORPORATED			
		SEE CHART	APPROVED BY EDGLEY	DATE 1986/11/29	MATERIAL NO. SDA-42009-*	DOCUMENT NO.	SHEET NO. 1 OF 3	

13		12		11		10		9		8		7		6		5		4		3		2		1																											
A-42009-N													A-42009-NA													A-42009-NE													A-42009-NH												
PART NO.	ENG. NO.	VOID CKT.	PART NO.	ENG. NO.	VOID CKT.	PART NO.	ENG. NO.	VOID CKT.	PART NO.	ENG. NO.	VOID CKT.	PART NO.	ENG. NO.	VOID CKT.	PART NO.	ENG. NO.	VOID CKT.	PART NO.	ENG. NO.	VOID CKT.	PART NO.	ENG. NO.	VOID CKT.	PART NO.	ENG. NO.	VOID CKT.																									
22-23-3024	A-42009-2	NONE	22-23-5026	A-42009-2A	NONE	22-23-5027	A-42009-2E	NONE	22-23-5028	A-42009-2H	NONE	22-23-5029	A-42009-2I	NONE	22-23-5030	A-42009-2J	NONE	22-23-5031	A-42009-2K	NONE	22-23-5032	A-42009-2L	NONE	22-23-5033	A-42009-2M	NONE																									
22-23-3034	A-42009-3	NONE	22-23-5036	A-42009-3A	NONE	22-23-5037	A-42009-3E	NONE	22-23-5038	A-42009-3H	NONE	22-23-5039	A-42009-3I	NONE	22-23-5040	A-42009-3J	NONE	22-23-5041	A-42009-3K	NONE	22-23-5042	A-42009-3L	NONE	22-23-5043	A-42009-3M	NONE																									
22-23-3044	A-42009-4	NONE	22-23-5046	A-42009-4A	NONE	22-23-5047	A-42009-4E	NONE	22-23-5048	A-42009-4H	NONE	22-23-5049	A-42009-4I	NONE	22-23-5050	A-42009-4J	NONE	22-23-5051	A-42009-4K	NONE	22-23-5052	A-42009-4L	NONE	22-23-5053	A-42009-4M	NONE																									
22-23-3054	A-42009-5	NONE	22-23-5056	A-42009-5A	NONE	22-23-5057	A-42009-5E	NONE	22-23-5058	A-42009-5H	NONE	22-23-5059	A-42009-5I	NONE	22-23-5060	A-42009-5J	NONE	22-23-5061	A-42009-5K	NONE	22-23-5062	A-42009-5L	NONE	22-23-5063	A-42009-5M	NONE																									
22-23-3064	A-42009-6	NONE	22-23-5066	A-42009-6A	NONE	22-23-5067	A-42009-6E	NONE	22-23-5068	A-42009-6H	NONE	22-23-5069	A-42009-6I	NONE	22-23-5070	A-42009-6J	NONE	22-23-5071	A-42009-6K	NONE	22-23-5072	A-42009-6L	NONE	22-23-5073	A-42009-6M	NONE																									
22-23-3074	A-42009-7	NONE	22-23-5076	A-42009-7A	NONE	22-23-5077	A-42009-7E	NONE	22-23-5078	A-42009-7H	NONE	22-23-5079	A-42009-7I	NONE	22-23-5080	A-42009-7J	NONE	22-23-5081	A-42009-7K	NONE	22-23-5082	A-42009-7L	NONE	22-23-5083	A-42009-7M	NONE																									
22-23-3084	A-42009-8	NONE	22-23-5086	A-42009-8A	NONE	22-23-5087	A-42009-8E	NONE	22-23-5088	A-42009-8H	NONE	22-23-5089	A-42009-8I	NONE	22-23-5090	A-42009-8J	NONE	22-23-5091	A-42009-8K	NONE	22-23-5092	A-42009-8L	NONE	22-23-5093	A-42009-8M	NONE																									
22-23-3094	A-42009-9	NONE	22-23-5096	A-42009-9A	NONE	22-23-5097	A-42009-9E	NONE	22-23-5098	A-42009-9H	NONE	22-23-5099	A-42009-9I	NONE	22-23-5100	A-42009-9J	NONE	22-23-5101	A-42009-9K	NONE	22-23-5102	A-42009-9L	NONE	22-23-5103	A-42009-9M	NONE																									
22-23-3104	A-42009-10	NONE	22-23-5106	A-42009-10A	NONE	22-23-5107	A-42009-10E	NONE	22-23-5108	A-42009-10H	NONE	22-23-5109	A-42009-10I	NONE	22-23-5110	A-42009-10J	NONE	22-23-5111	A-42009-10K	NONE	22-23-5112	A-42009-10L	NONE	22-23-5113	A-42009-10M	NONE																									
22-46-4041	A-42009-4-B	2																																																	
22-46-4042	A-42009-4-C	3																																																	
22-46-4052	A-42009-5-B	2																																																	
22-46-4053	A-42009-5-C	3																																																	
22-46-4050	A-42009-5-D	4																																																	
22-46-4051	A-42009-5-E	5																																																	
22-46-4064	A-42009-6-B	2																																																	
	A-42009-6-BC	2,3																																																	
22-46-4068	A-42009-6-D	4																																																	
22-46-4065	A-42009-6-E	5																																																	
22-46-4069	A-42009-6-F	6																																																	
22-46-4072	A-42009-7-E	5																																																	
22-46-4080	A-42009-8-D	4																																																	
22-46-4081	A-42009-8-E	5																																																	
22-46-4081	A-42009-8-E	5																																																	
22-46-4031	A-42009-3-C	3																																																	
22-46-4063	A-42009-6-DE	4,5																																																	
22-46-4062	A-42009-6-CF	3,6																																																	
22-46-4061	A-42009-6-BD	2,4																																																	
22-46-4030	A-42009-3-B	2																																																	
22-46-4066	A-42009-6-C	3																																																	
22-46-4071	A-42009-7-D	4																																																	
22-46-4067	A-42009-6-CE	3,5																																																	
22-46-4074	A-42009-7-C	3																																																	
22-46-4075	A-42009-7-F	6																																																	
22-46-4073	A-42009-7-B	2																																																	
22-46-4082	A-42009-8-H	8																																																	
22-46-4083	A-42009-8-F	6																																																	
22-46-4101	A-42009-10-1	9																																																	
22-46-4100	A-42009-10-B	2																																																	
22-46-4043	A-42009-4-D	2,5																																																	
22-46-4060	A-42009-6-BE	4																																																	

MOLDDED COLOR: \_\_\_\_\_  
 BLANK = NATURAL  
 A = BLUE  
 E = GREEN  
 R = RED  
 H = BLACK

VOID PIN DESIGNATION  
 A# #1 PIN  
 B# #2 PIN  
 C# #3 PIN  
 ECT.

DIMENSIONS SHOWN UNLESS OTHERWISE SPECIFIED  
 UNLESS OTHERWISE SPECIFIED  
 3 HOLE ± .005  
 2 HOLE ± .005  
 1 HOLE ± .005

PART NO. 542009X2  
 TITLE WAFER FRICTION LOCK ASSEMBLY  
 DATE 9/11/87  
 DESIGNED BY SD A-42009-4  
 DRAWN BY SD A-42009-4  
 CHECKED BY SD A-42009-4  
 APPROVED BY SD A-42009-4

42009