

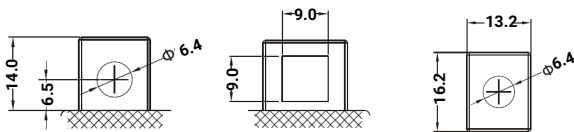


START-STOP AUXILIARY

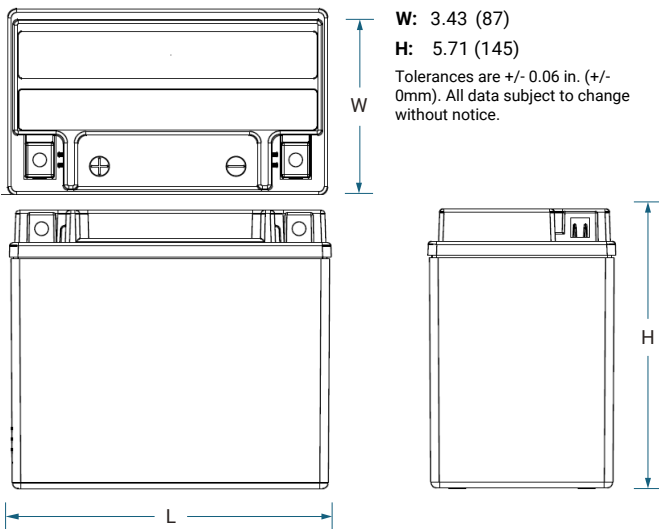
PS-AUX14 12.0V 12.0AH 200A (EN)

Rechargeable Sealed Lead Acid Battery

TERMINALS: (mm)



DIMENSIONS: inch (mm)



GLOBAL HEADQUARTERS (USA AND INTERNATIONAL EXCLUDING EMEA)

Power-Sonic Corporation
365 Cabela Dr Suite 300,
Reno, Nevada 89523
USA
T: +1 619 661 2020
E: customer-service@power-sonic.com

POWER-SONIC EUROPE LIMITED (EMEA - EUROPE, MIDDLE EAST AND AFRICA)

3 Buckingham Square,
Hurricane Way, Wickford,
Essex SS11 8YQ
T: +44 (0)1268 560686
F: +44 (0)1268 560902
E: salesEMEA@power-sonic.com

Power Sonic's auxiliary batteries are designed specifically to deliver exceptional performance for high demanding start-stop vehicles.

FEATURES

- Enhanced cycle life
- Optimized for low state of charge operations
- Super safe with a spill proof design and no free acid
- 100% maintenance free
- Excellent performance in all weather conditions
- Highly vibration and impact resistant
- Long shelf life with low self discharge
- Original equipment fitment

SIMPLY CONNECT YOUR BATTERY AND YOU ARE READY TO GO

PERFORMANCE SPECIFICATIONS

Nominal Voltage	12.0V
CCA	200A (EN)
Rated Capacity	12.0AH
10 hour rate (1.00A)	9.84AH
5 hour rate (1.64A)	8.40AH
2 hour rate (3.50A)	7.20AH
1 hour rate (6.00A)	6.48AH
0.5 hour rate (10.80A)	
Approximate Weight	9.50 lbs. (4.31kg)
Self Discharge	Approximately 3% per month
Charging Methods	
Full Charge	<p>Constant-Voltage Charge: Initial charging current: less than 3.6A Voltage: 14.40 V - 15.00 V at 25 °C (77 °F) Charging time: 15-18h</p> <p>Constant-Current Charge: Charging current: 0.1 C10= 1.20A, when charging voltage up to 14.40V, continue to charge 4h</p>
Floating Charge	No limit on Initial charging current Voltage: 13.50 V - 13.80 V at 25 °C (77 °F)