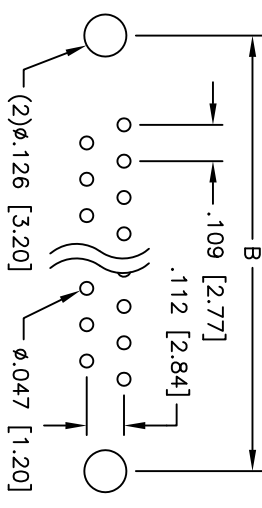
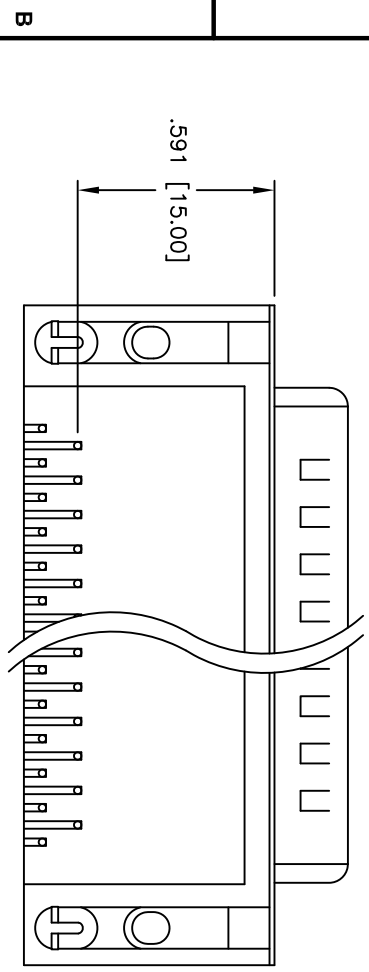
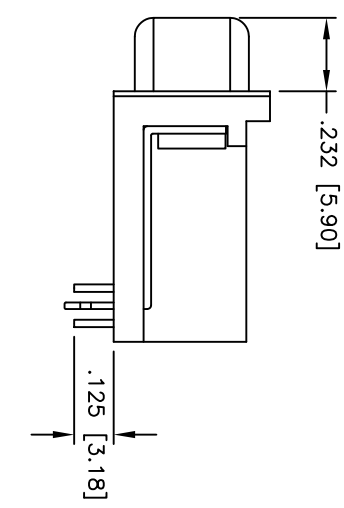
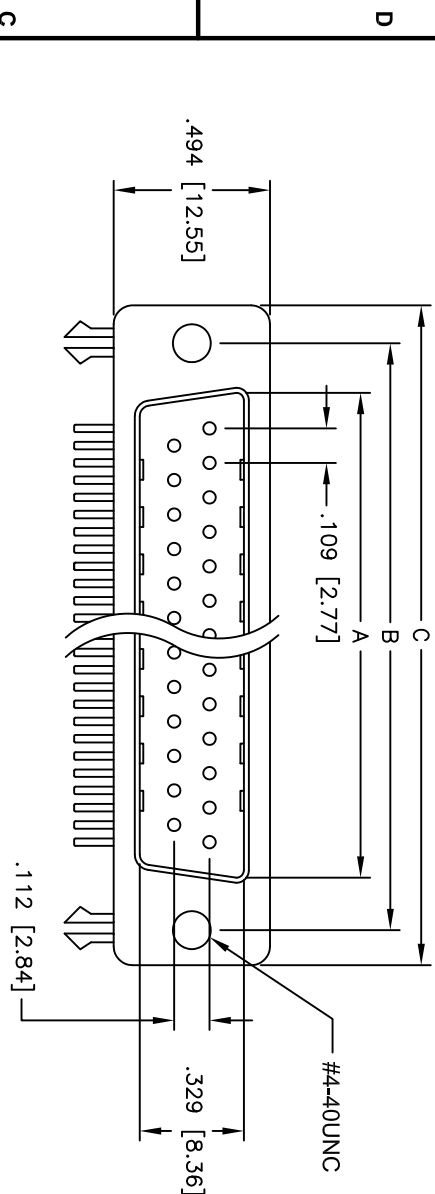


| Rev | AWO # | Description | Date | Appr |
|-----|-------|-------------|---------|------|
| - | | RELEASED | 4/20/05 | |

APPROVED: _____
 DATE: _____ TITLE: _____



PCB LAYOUT

| DXXX | NO. OF CONTACTS | DIMENSIONS | | |
|------|-----------------|---------------|---------------|---------------|
| | | A | B | C |
| DE09 | 9 | .666 [16.92] | .984 [24.99] | 1.213 [30.81] |
| DA15 | 15 | 1.004 [25.50] | 1.312 [33.32] | 1.541 [39.14] |
| DB25 | 25 | 1.534 [38.96] | 1.852 [47.04] | 2.088 [53.04] |
| DC37 | 37 | 2.182 [55.42] | 2.500 [63.50] | 2.729 [69.32] |

ADAM TECH

909 Rahway Avenue, Union, NJ 07083
 Phone: 908-687-5000 Fax: 908-687-5710

TITLE: .591 [15.00] FOOTPRINT D-SUB PLUG
 FORKED BOARDLOCKS, #4-40 INSERTS

SPECIFICATIONS:
 Material: Glass-Filled Thermoplastic PBT, rated UL 94V-0
 Insulator: Copper alloy
 Shell: Steel, Tin plated
 Plating:
 Gold flash over Nickel underplate overall
 Electrical:
 Operating voltage: 250 VAC max
 Current rating: 1 Amps max
 Contact resistance: 20 mohms max
 Insulation resistance: 1,000 Mohms min @ 500 VDC
 Dielectric withstanding voltage: 1,000 VAC for 1 minute
 Temperature Rating:
 Operating temperature: -55°C to +105°C
 Environmental:
 Lead free, RoHS compliant
 Recommended soldering temp: 235°C for 5 seconds



| | |
|---|--------------|
| UNLESS OTHERWISE SPECIFIED ALL DIMENSIONS ARE INCHES [MM] | |
| TOLERANCES: EXCEPT AS NOTED | |
| INCHES | HOLDS |
| .X ± .10 | ØXX ± .10 |
| .XX ± .020 | ØXXX ± .015 |
| .XXX ± .015 | ØXXXX ± .010 |
| APPROVALS | DATE |
| DRAWN SS | 4/20/05 |
| CHECKED | |
| APPROVED | |

| | | |
|------|------------|--------------|
| SIZE | PART NO. | REV. |
| X | DXXX+PQ-R4 | - |
| REF: | SCALE: NTS | SHEET 1 OF 1 |