

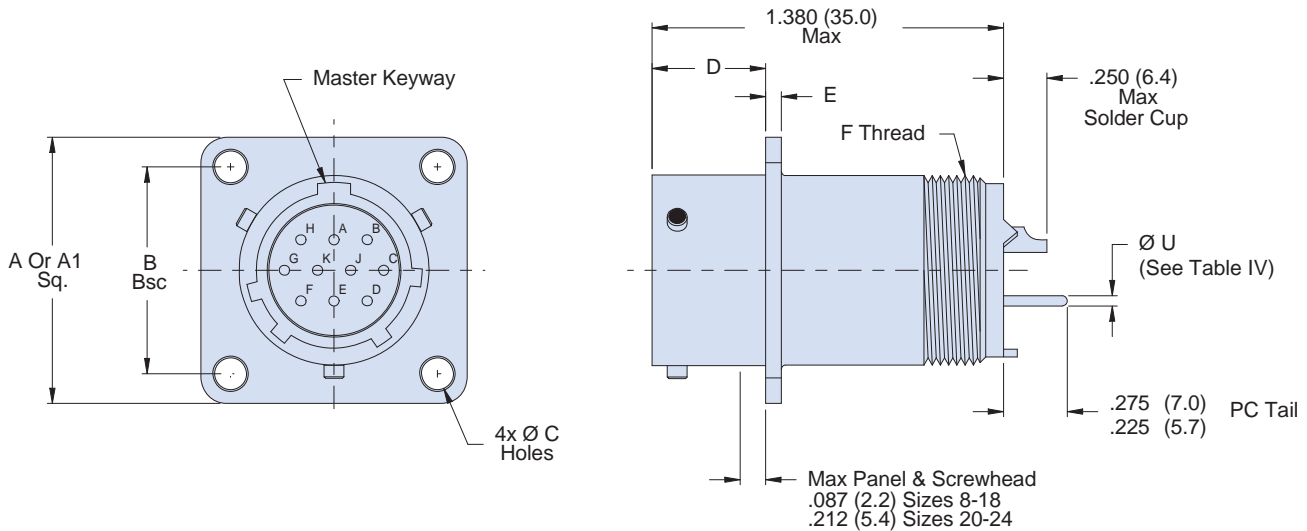


240-264W
MIL-DTL-26482 Series II Type Filter Connector
Wall Mount Receptacle, Narrow Flange

B

MIL-DTL-26482 SERIES II TYPE WALL MOUNT RECEPTACLE, NARROW FLANGE

How To Order										
Sample Part Number	240-264	W	ME	16-26	P	S	P	A	H	N
Filter Connector	MIL-DTL-26482 Series II Type									
Shell Style	W = Wall Mount									
Connector Class	See Table I									
Insert Arrangement	IAW MIL-STD-1669. (See pages B-62 – B-63)									
Contact Gender	P = Pin S = Socket									
Termination	P = PC Tail S = Solder Cup									
Filter Type	P = Pi Circuit C = C Circuit (See Note 1)									
Capacitance	See Table II									
Flange Mounting Style	H = Round Holes C = Clinch Nuts (4-40 UNC) M = Metric Clinch Nuts (M3)									
Alternate Insert Position	W, X, Y, Z, N = Normal (See page B-63)									



Notes

1. Other filter styles (C-L, L-C, Unbalanced Pi, Multi-Stage, Multi-Value) are available, please consult the factory.

Dimensions in inches (millimeters) and are subject to change without notice.

240-264W
MIL-DTL-26482 Series II Type Filter Connector
Wall Mount Receptacle, Narrow Flange



MIL-DTL-26482
Type

B

Sym	Class	Material	Finish Description
ME	Environmental	Aluminum	Electroless Nickel
MT	Environmental	Aluminum	Ni-PTFE 1000 Hour Grey™ Nickel Fluorocarbon Polymer
NF	Environmental	Aluminum	Cadmium O.D. Over Electroless Nickel
ZL	Environmental	Stainless Steel	Electro-Deposited Nickel
ZN	Environmental	Aluminum	Zinc-Nickel, Olive Drab
ZR	Environmental	Aluminum	Zinc Nickel, Black - RoHS
H2*	Hermetic	Stainless Steel	Electro-Deposited Nickel

*Some dimensions do not apply. See drawing 240-264WH2

Class	Pi - Circuit (pF)	C - Circuit (pF)
X*	160,000 - 240,000	80,000 - 120,000
Y*	80,000 - 120,000	40,000 - 60,000
Z*	60,000 - 90,000	30,000 - 45,000
A	38,000 - 56,000	19,000 - 28,000
B	32,000 - 45,000	16,000 - 22,500
C	18,000 - 33,000	9,000 - 16,500
D	8,000 - 12,000	4,000 - 6,000
E	3,300 - 5,000	1,650 - 2,500
F	800 - 1,300	400 - 650
G	400 - 600	200 - 300
J	70-120	35-60

* Filter Classes X, Y and Z are 250 VDC.
 All others are 500 VDC

Contact Size	Ø U
20	.031 (0.79)
	.029 (0.74)
16	.042 (1.07)
	.038 (0.97)
12	.096 (2.44)
	.092 (2.34)

Shell Size	Thru Hole Flange		Clinch Nut Flange	B Bsc	D	E	F Thread
	A Sq. Typ	Ø C ±.005 (.13)	A1 Sq. ±.020 (.51)				
8	.828 (21.0)	.120 (3.0)	.895 (22.7)	.594 (15.1)	.462 (11.7) .431 (11.0)	.078 (2.0) .046 (1.2)	.5000-20 UNF-2A
10	.954 (24.2)	.120 (3.0)	1.019 (25.9)	.719 (18.3)	.462 (11.7) .431 (11.0)	.078 (2.0) .046 (1.2)	.6250-24 UNEF-2A
12	1.047 (26.6)	.120 (3.0)	1.112 (28.2)	.812 (20.6)	.462 (11.7) .431 (11.0)	.078 (2.0) .046 (1.2)	.7500-20 UNEF-2A
14	1.141 (29.0)	.120 (3.0)	1.206 (30.6)	.906 (23.0)	.462 (11.7) .431 (11.0)	.078 (2.0) .046 (1.2)	.8750-20 UNEF-2A
16	1.234 (31.3)	.120 (3.0)	1.269 (32.2)	.969 (24.6)	.462 (11.7) .431 (11.0)	.078 (2.0) .046 (1.2)	1.0000-20 UNEF-2A
18	1.328 (33.7)	.120 (3.0)	1.362 (34.6)	1.062 (27.0)	.462 (11.7) .431 (11.0)	.078 (2.0) .046 (1.2)	1.0625-18 UNEF-2A
20	1.453 (39.9)	.120 (3.0)	1.456 (37.0)	1.156 (29.4)	.587 (14.9) .556 (14.1)	.110 (2.8) .078 (2.0)	1.1875-18 UNEF-2A
22	1.578 (40.1)	.120 (3.0)	1.562 (39.7)	1.250 (31.8)	.587 (14.9) .556 (14.1)	.110 (2.8) .078 (2.0)	1.3125-18 UNEF-2A
24	1.703 (43.3)	.147 (3.7)	1.719 (43.7)	1.375 (34.9)	.620 (15.8) .589 (15.0)	.110 (2.8) .078 (2.0)	1.4375-18 UNEF-2A

Dimensions in inches (millimeters) and are subject to change without notice.