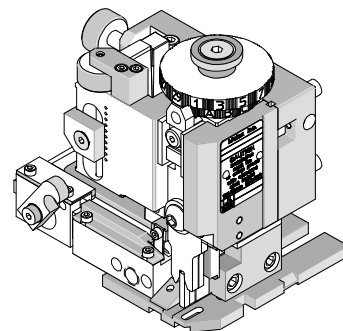




# Mini-Mac Applicator Specification Sheet Order No. 63892-4600



## FEATURES

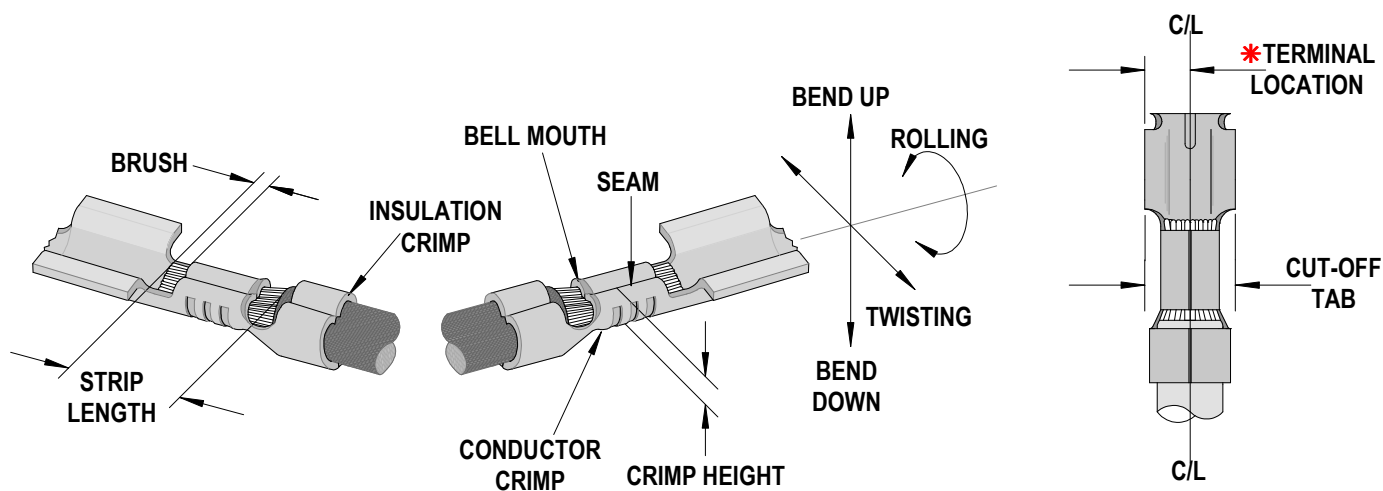
- Directly adapts to most automatic wire processing machines
- Applicator designed to industry standard mounting and shut height 135.80mm (5.346")
- Quick set-up time; plus the crimp height, track and feed adjustments can be set without removing the applicator from the press
- Fine adjustment allows users to achieve target with little effort by adjusting in increments of .015mm (.0006") for conductor crimp height and .063mm (.0025") for insulation height
- Independent adjustment rings allow users to quickly adjust the conductor or insulation crimp height without affecting each other.

## SCOPE

Products: Claspcan™ Crimp Terminal Socket, 24-30 AWG

Terminal Series No.	Terminal Order No.	Wire Size		Insulation Diameter Maximum		Strip Length	
		AWG	mm <sup>2</sup>	mm	In.	mm	In.
1881-3	02-08-1103	24-30	0.05-0.20	1.52	.060	3.96-5.54	.156-.218

## DEFINITION OF TERMS



\* Terminal is to be centrally located between the two (2) cut-off tab edges by one half of the total cut-off tab tolerance.  
This illustration is a generic terminal representation and not an exact image of any terminal listed in the scope.

**CRIMP SPECIFICATIONS**

Terminal Series No.	Bell mouth		*Cut-off Tab		Conductor Brush	
	mm	In.	mm	In.	mm	In.
1881			3.53-3.69	.139-.145		

Terminal Series No.	Punch Width (Ref)				Seam Seam shall not be open and no wire allowed out of the crimping area
	Conductor		Insulation		
	mm	In.	mm	In.	
1881	3.475	.137	1.93	.076	

**NOTE:** Some of the specifications in these charts above are intentionally left blank due to the fact that the information does not currently exist.

After crimping, the conductor profile should measure the following.

Terminal Series No.	Wire Size		Crimp Height		Crimp Width (REF)		Pull Force Minimum	
	AWG	mm <sup>2</sup>	mm	In.	mm	In.	N	Lb.
1881	24	0.20	0.86-0.91	.034-.036			44.5	10.00
	26	0.12	0.74-0.79	.029-.031			26.7	6.00
	28	0.08	0.71-0.76	.028-.030			17.8	4.00
	30	0.05	0.71-0.76	.028-.030			13.3	3.00

Pull Force should be measured with no influence from the insulation crimp.  
The above specifications are guidelines to an optimum crimp.

**PARTS LIST**

<b>Mini-Mac Applicator 63892-4600</b>				
<b>Item</b>	<b>Order No</b>	<b>Engineering No.</b>	<b>Description</b>	<b>Quantity</b>
<b>Perishable Tooling</b>				
	63892-4670	63892-4670	Tool Kit (All "Y" Items)	REF
1	11-18-4053	60706-15	Conductor Punch	1 Y
2	11-18-4532	60706-34	Combination Anvil	1 Y
3	11-18-4054	60706-16	Insulation Punch	1 Y
4	11-18-4447	60706-31	Cut-Off Punch	1 Y
5	11-18-4044	60706-6	Cut-off Die Plate	1 Y
<b>Other Components (REF 924650)</b>				
6	11-17-0094	1739-37	Compression Spring	1
7	11-17-1172	4151-20	Terminal Drag Plate	1
8	11-18-4040	60706-2	Cover Plate	1
9	11-18-4042	60706-4	Terminal Guide	1
10	11-18-4043	60706-5	Insulation Punch Holder	1
11	11-18-4422	60706-28	Hold Down Plunger	1
12	11-18-4423	60706-29	Stripper and Wire Stop	1
13	11-18-4446	60706-30	Stripper and Wire Stop Holder	1
14	11-18-4562	60700-15	Slug Ramp	1
15	63803-5105	63803-5105	Conductor Bushing	1
<b>Frame</b>				
16	63801-3201	63801-3201	Top	1
17	63801-3282	63801-3282	Base	1
18	63801-6550	63801-6550	Track	1
<b>Hardware</b>				
19	N/A	N/A	M3 by 8 Long SHCS	4**
20	N/A	N/A	M4 by 12 Long BHCS	2**
21	N/A	N/A	M4 by 16 Long SHCS	2**
22	N/A	N/A	M8 by 20 Long BHCS	1**
23	N/A	N/A	#6-32 by 3/8" Long BHCS	3**
24	N/A	N/A	#8-32 by 1/4" Long BHCS	1**
25	N/A	N/A	#1/4-20 by 1/2" Long SHCS	2**
26	N/A	N/A	1/8 Diameter by 3/8" Long Roll Pin	2**
** Available from an industrial supply company such as MSC (1-800-645-7270).				

# Assembly Drawing

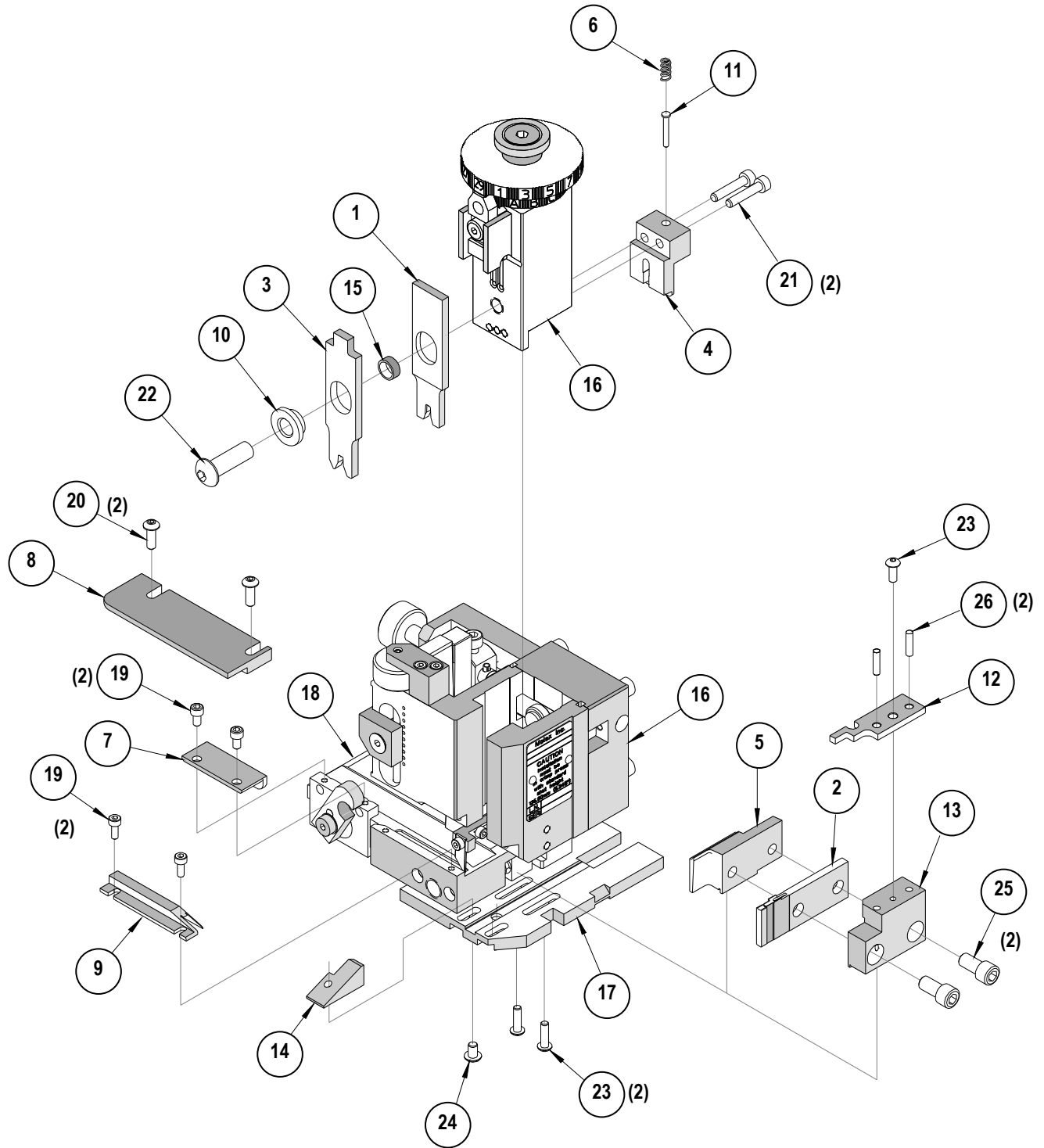


Figure 1

## NOTES

1. Molex recommends an extra perishable tooling kit be maintained at your facility.
2. Verify tooling alignment by manually cycling the press and applicator before crimping under power. Check that all screws are tight.
3. Slugs, terminals, dirt, and oil should be kept clear of work area.
4. Wear safety glasses at all times.
5. For recommended maintenance refer to the Mini-Mac Manual.

**CAUTION:** This applicator should only be used in a press with a shut height of 135.80 mm (5.346"). Tooling damage could result at a lower setting

**CAUTION:** To prevent injury, never operate this applicator without the guards supplied with the press or wire-processing machine in place. Reference the press or wire processing manufacturer's instruction manual.

**CAUTION:** Molex crimp specifications are valid only when used with Molex terminals, applicators and tooling.

## Contact Information

For more information on Molex application tooling please contact Molex at 1-800-786-6539.

**Americas Headquarters**  
Lisle, Illinois 60532 U.S.A.  
1-800-78MOLEX  
amerinfo@molex.com

**Far East North Headquarters**  
Yamato, Kanagawa, Japan  
81-462-65-2324  
feninfo@molex.com

**Far East South Headquarters**  
Jurong, Singapore  
65-6-268-6868  
fesinfo@molex.com

**European Headquarters**  
Munich, Germany  
49-89-413092-0  
eurinfo@molex.com

**Corporate Headquarters**  
2222 Wellington Ct.  
Lisle, IL 60532 U.S.A.  
630-969-4550  
Fax: 630-969-1352

Visit our Web site at <http://www.molex.com>