

**PLEASE CHECK WWW.MOLEX.COM FOR LATEST PART INFORMATION**

**Part Number:** [0490141010](#)  
**Status:** **Active**  
**Description:** 1.02/2.28mm (.040/.090") Tab, Hybrid Wire-to-Wire Housing, Female, 10 Circuits

**Documents:**

[Drawing \(PDF\)](#) [RoHS Certificate of Compliance \(PDF\)](#)  
[Product Specification PS-49014-001 \(PDF\)](#)

**General**

Product Family	Crimp Housings
Series	<a href="#">49014</a>
Product Name	N/A

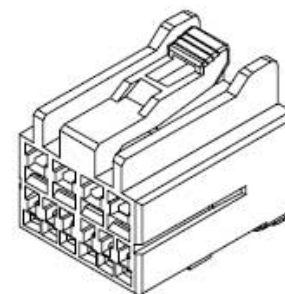
**Physical**

Circuits (maximum)	10
Color - Resin	Natural, Yellow
Gender	Female
Glow-Wire Compliant	No
Lock to Mating Part	Yes
Material - Resin	Polyester
Number of Rows	2
Packaging Type	Bag
Panel Mount	Yes
Pitch - Mating Interface (in)	0.098 In
Pitch - Mating Interface (mm)	2.50 mm
Stackable	No
Temperature Range - Operating	-40°C to +80°C

**Material Info**

**Reference - Drawing Numbers**

Product Specification	PS-49014-001
Sales Drawing	SD-49014-001



*Series*  
*image - Reference only*

**EU RoHS**

**ELV and RoHS Compliant**  
**REACH SVHC**  
 Not Reviewed  
**Halogen-Free Status**

**China RoHS**



**Need more information on product environmental compliance?**

Email [productcompliance@molex.com](mailto:productcompliance@molex.com)  
 For a multiple part number RoHS Certificate of Compliance, [click here](#)

Please visit the [Contact Us](#) section for any non-product compliance questions.

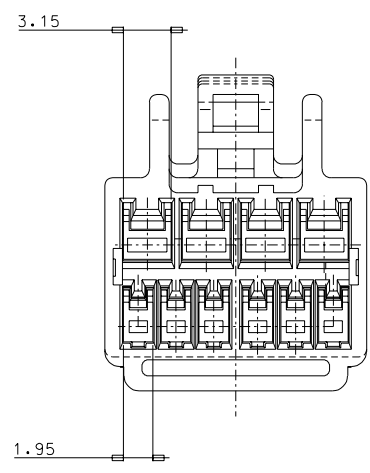
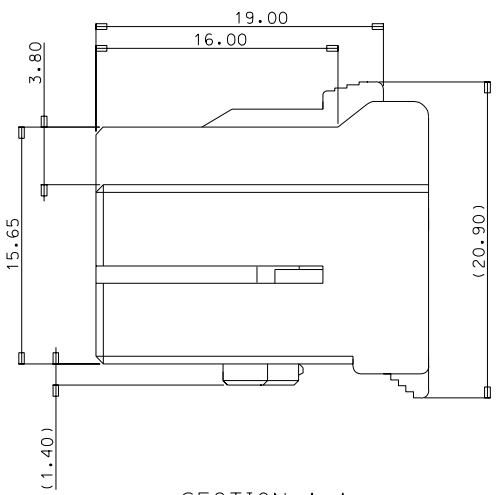
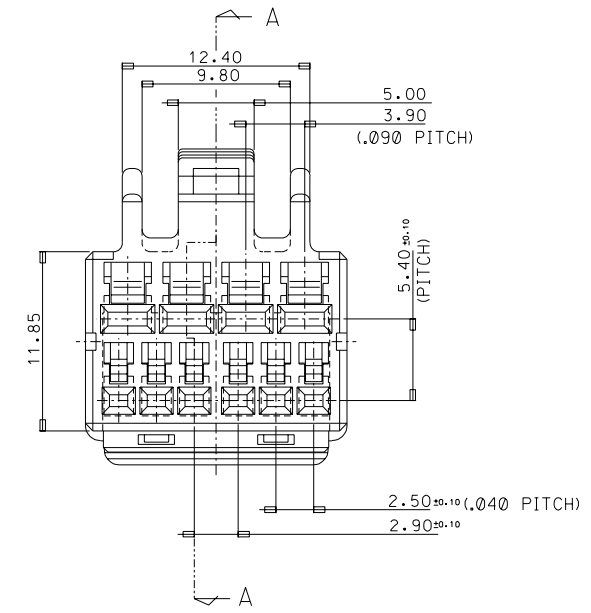
**Search Parts in this Series**  
[49014Series](#)

**Mates With**  
[35897](#)

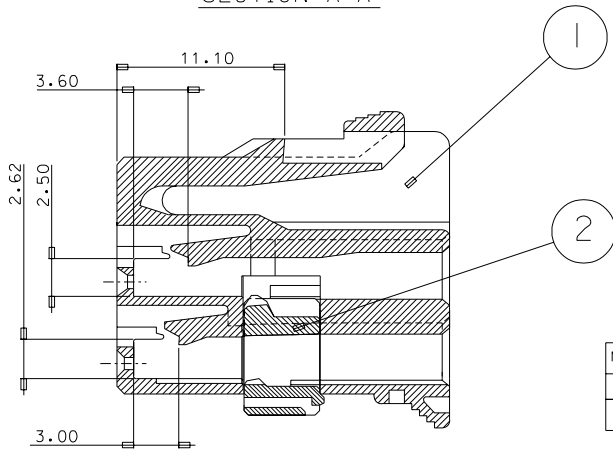
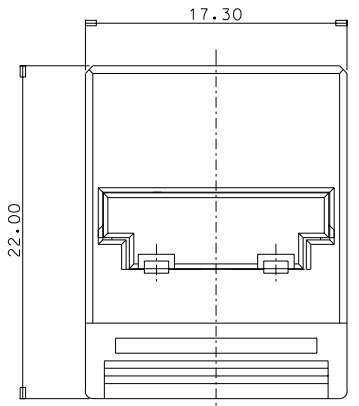
**Use With**  
[50654](#) , [50660](#)

DO NOT SCALE DRAWING  
DIMENSION IN METRIC

PROJECT NO. DWG. NO. SD-49014-001  
SIMILAR ITEM



SECTION A-A



NOTE  
1. MATERIAL & FINISH: SEE TABLE  
2. MATING CONNECTOR : 49016-1010  
3. APPLICATION TERMINAL : 35421-6\*02(090)  
50654-100(040)

NO.	PART NO.	PART NAME	MATERIAL	REMARK
1	49014-1090	.040/090 F/HSG 10P	POLYESTER	WHITE
2	49015-1083	.040/090 FEMALE TPA 10P	POLYESTER	YELLOW

490141010	49014-1010
MATERIAL NO.	ENG. NO.

NEW RELEASE	EC NO.: KOR2004-00040	DRWNS: M.KIM 03/11/10	CHK: B.C.YOON 03/11/10	APPR: C.W.LEE
DESCRIPTION	MAJOR CRITICAL			
REV	A			

QUALITY SYMBOLS	GENERAL TOLERANCES: (UNLESS SPECIFIED)	SCALE 3:1	DESIGN UNITS <input checked="" type="checkbox"/> mm <input type="checkbox"/> INCH	THIRD ANGLE PROJECTION <input checked="" type="checkbox"/> THIRD ANGLE <input type="checkbox"/> FIRST ANGLE
	4 PLACES ±0.1 mm ±. INCH	DRAWN BY & DATE 2003/02/13 H.C.RHO	TITLE: .040/090 FEMALE HOUSING ASS'Y 10P	
	3 PLACES ±0.1 mm ±. INCH	CHECKED BY & DATE 2003/02/13 H.C.RHO	MOLEX MOLEX INCORPORATED	
	2 PLACES ±0.3 mm ±. INCH	APPROVED BY & DATE 2003/02/13 C.W.LEE	CAD FILENAME SD49014.DGN	MATERIAL NO. SEE TABLE
	1 PLACE ±0.2 mm ±. INCH		DRAWING NO. SD-49014-001	SHEET NO. 1 OF 1
	ANGULAR: ± 1°	THIS DRAWING CONTAINS INFORMATION THAT IS PROPRIETARY TO MOLEX INCORPORATED AND SHOULD NOT BE USED WITHOUT WRITTEN PERMISSION.		
	DRAFT WHERE APPLICABLE MUST REMAIN WITHIN DIMENSIONS	SIZE B		