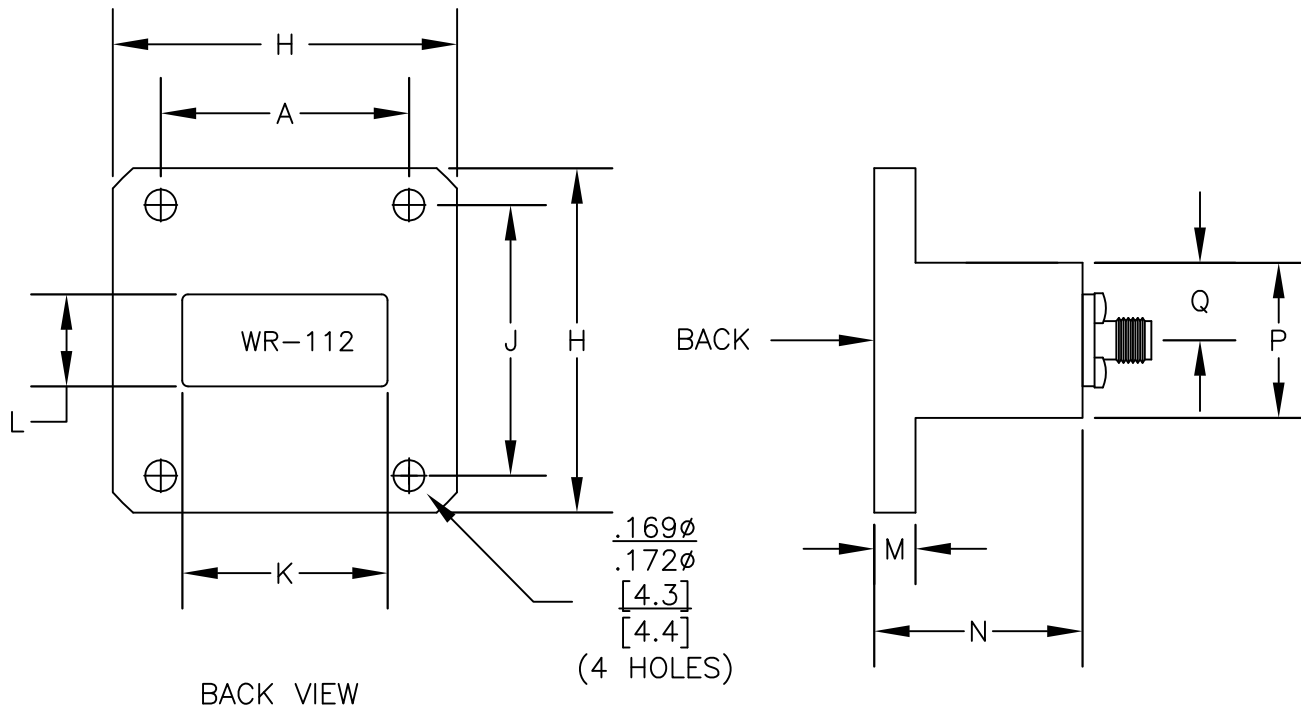


WR112		
Dimension	Inches	mm
A	1.352	34.34
H	1.875	47.63
J	1.474	37.44
K ( $\pm 0.004$ )	1.122	28.50
L ( $\pm 0.004$ )	0.497	12.62

M	0.220	5.59
N	1.135	28.83
P	0.850	21.59
Q	0.425	10.80



## SPECIFICATIONS

FREQUENCY RANGE: 7.05 TO 10.00 GHz  
 MAXIMUM VSWR: 1.25:1



**PASTERNACK ENTERPRISES, INC.**

P.O. BOX 16759, IRVINE, CA 92623  
 PHONE (949) 261-1920 FAX (949) 261-7451

WEB ADDRESS: [www.pasternack.com](http://www.pasternack.com)  
 E-MAIL ADDRESS: [sales@pasternack.com](mailto:sales@pasternack.com)

**COAXIAL & FIBER OPTICS**

DWG TITLE

**PE9865**

DES.

WAVEGUIDE END LAUNCH TO COAX  
 ADAPTER, SMA FEMALE

REV. A

FSCM NO. 53919

CAD FILE 011612

SCALE N/A

SIZE A

2233

**NOTES:**

1. UNLESS OTHERWISE SPECIFIED ALL DIMENSIONS ARE NOMINAL.
2. ALL SPECIFICATIONS ARE SUBJECT TO CHANGE WITHOUT NOTICE AT ANY TIME.
3. DIMENSIONS ARE IN INCHES [mm].