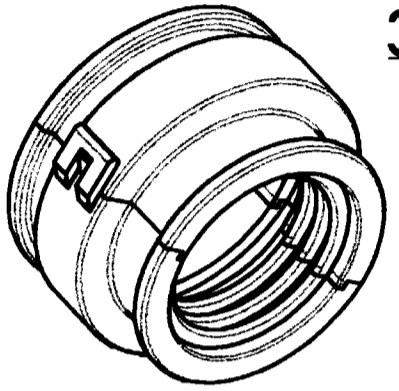
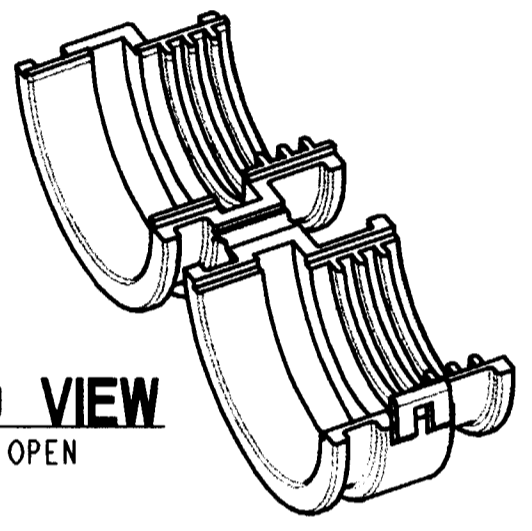
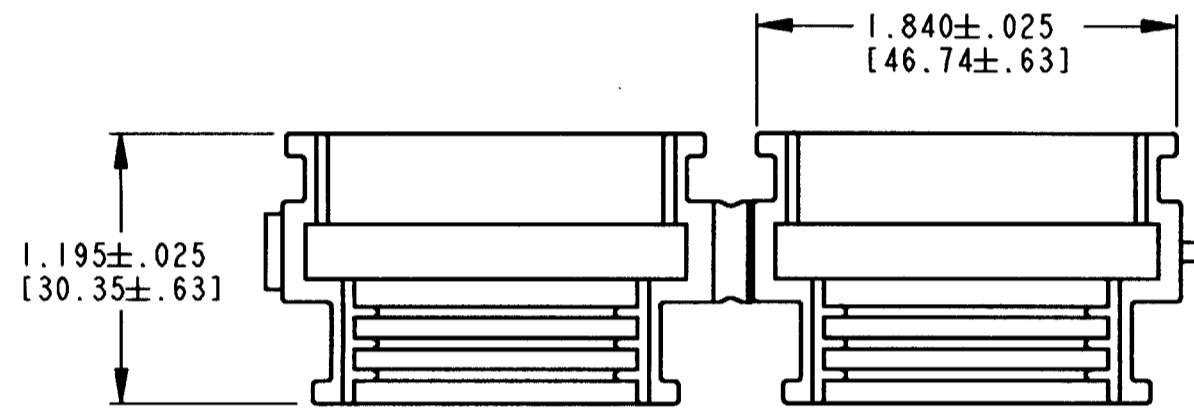


REV
NC 2428-008-2405

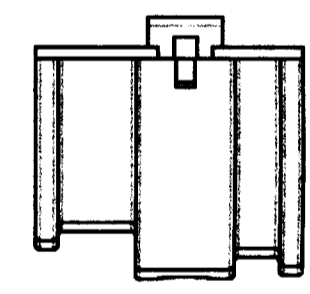
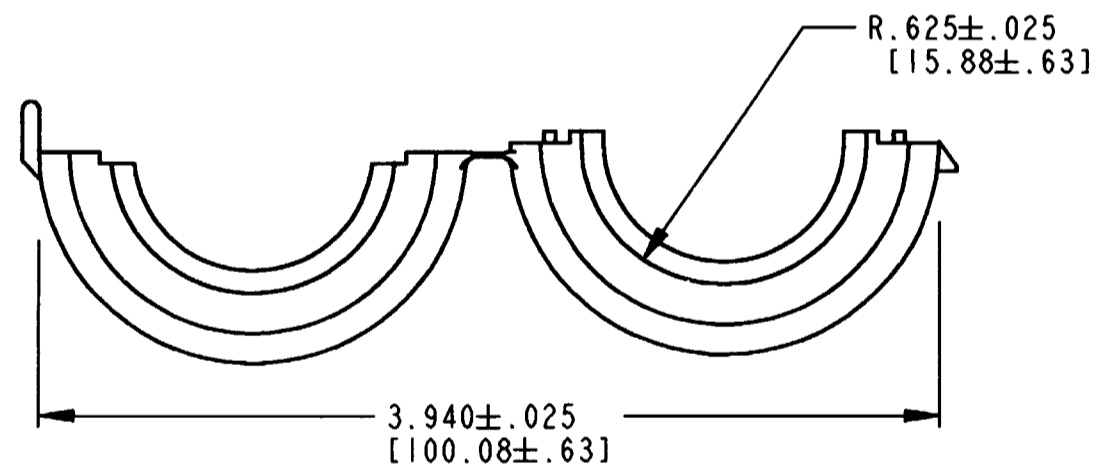
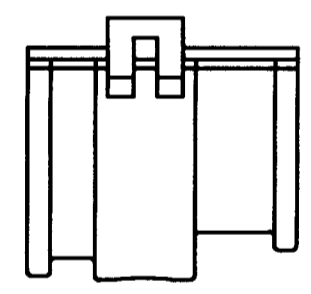
REVISIONS			
SYM	DESCRIPTION	DATE	APPROVED
NC	NEW RELEASE PER E.O. P16239	4-5-00	RDR



3-D VIEW
CLOSED



3-D VIEW
OPEN



- NOTES:
1. MATERIAL: PLASTIC; COLOR: BLACK.
 2. ALL DIMENSIONS ARE INCHES [MILLIMETERS].
 3. THIS PART MATES WITH HDP24/26-24-*P/S*-LO17.

SIGNATURE & DATE	
DR	R. OCHOA 04-04-2000
CHK	B. B. 14/05/00
PE	S. B. 04/15/00
APPD	R. Reed 4-5-00
SCALE	NONE WT

STRAIGHT BACKSHELL
24 SIZE
HDP SERIES

ENVELOPE

CP	MATL. CODE
The Deutch Company DEUTSCH I.P.D. 3850 INDUSTRIAL AVE. HEMET, CALIF. 92545	
B	2428-008-2405
DWG SIZE	CODE 11139 SHEET OF