

# EPC-2020/2030/2032

Programmable Embedded Controller with Intel® Atom™ D525 Platform

EPC-2020



EPC-2030/ EPC-2032



## Features

- Fanless, Cable-less and Modularized Design
- Wide Range DC Power Input (10 ~ 30V)
- Rich Onboard I/O and Expansion Slots (Max. 2 x PCIe x1 Slots, Max. 2 x PCI Slots)
- RS-485 Auto-flow Control Supported
- Easy Installation/Maintenance
- Intel® SSD Compatible

## System

|                       |   |
|-----------------------|---|
| <b>CPU</b>            | Soldered onboard Intel® Atom™ D525 1.8GHz processor |
| <b>Memory</b>         | Soldered onboard 2GB DDR3 SDRAM                     |
| <b>Chipset</b>        | Intel® ICH8M  |
| <b>Graphics</b>       | Integrated with Intel® GMA 3150                     |
| <b>LAN Chipset</b>    | 2 x Intel® 82574L GbE controllers                   |
| <b>Watchdog Timer</b> | 1~255 levels reset                                  |

## I/O

|                    |  |
|--------------------|--|
| <b>Serial Port</b> | 4 x DB-9 male connectors (COM1~2: RS-232, COM3~4: RS-232/422/485 selectable)                             |
| <b>USB Port</b>    | 4 x USB type A connectors for USB 2.0 ports  |
| <b>LAN</b>         | 2 x RJ-45 GbE ports  |
| <b>Video Port</b>  | 1 x DB-15 female connector for Analog RGB<br>1 x DB-26 male connector for dual channels 24-bit LVDS port |
| <b>Audio</b>       | Mic-in/Line-out with Realtek ALC886 HD Audio CODEC   |
| <b>KB/MS</b>       | PS/2 interface Keyboard/ Mouse via Y-cable   |

## Expansion Bus

|  |
|--|
| 1 x PCIe x1 slot, 1 x PCI slot for EPC-2020  |
| 2 x PCIe x1 slots, 1 x PCI slot for EPC-2030 |
| 1 x PCIe x1 slot, 2 x PCI slots for EPC-2032 |

## Environmental

|                           |  |
|---------------------------|--|
| <b>Operating Temp.</b>    | -20 ~ 60°C (-4 ~ 140°F), ambient with air flow             |
| <b>Storage Temp.</b>      | -40 ~ 85°C (-40 ~ 185°F)                                   |
| <b>Operating Humidity</b> | 10 ~ 95% @ 60°C (non-condensing)                           |
| <b>Vibration</b>          | 5~500Hz, 3Grms Random (w/ SSD)                             |
| <b>Shock</b>              | Operating 40G, 11ms<br>Non-operating 60G (with CFast/ SSD) |

## Qualification

|                      |                 |
|----------------------|-----------------|
| <b>Certification</b> | CE, FCC Class A |
|----------------------|-----------------|

## Power Requirement

|                          |   |
|--------------------------|---|
| <b>Power Input</b>       | DC 10 ~ 30V input (w/ 3-pin terminal block) |
| <b>Power Consumption</b> | 60W (Max.)                                  |

## Storage

|             |   |
|-------------|---|
| <b>Type</b> | 1 x 2.5" drive bay for SATA interface HDD/SSD, supporting 300MB/s HDD transfer rate<br>1 x CFast socket |
|-------------|---|

## Mechanical

|                               |  |
|-------------------------------|--|
| <b>Construction</b>           | Aluminum alloy   |
| <b>Mounting</b>               | Wall-mount/Din rail mounting   |
| <b>Weight</b>                 | Max. 2.92 kg (6.42 lb)   |
| <b>Dimensions (W x D x H)</b> | EPC-2020: 164 x 192 x 120 mm (6.46" x 7.56" x 4.72")<br>EPC-2030/ EPC-2032: 164 x 192 x 140 mm (6.46" x 7.56" x 5.51") |

## OS Support

Windows XP Embedded / Windows XP Professional / Windows Embedded 7 Professional / Windows Embedded 7 Standard

## Ordering Information

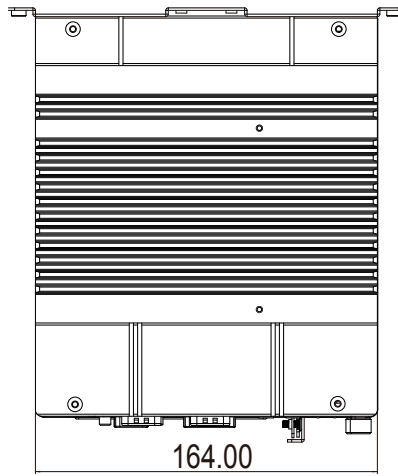
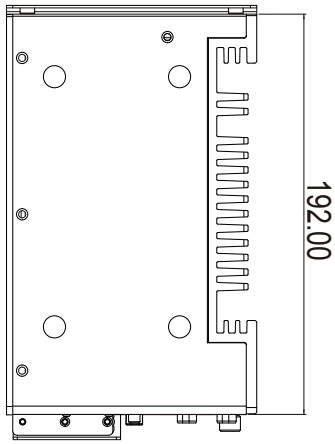
|                 |  |
|-----------------|--|
| <b>EPC-2020</b> | EPC-2000 with 1 x PCIe x1 slot & 1 x PCI slot  |
| <b>EPC-2030</b> | EPC-2000 with 2 x PCIe x1 slots & 1 x PCI slot |
| <b>EPC-2032</b> | EPC-2000 with 1 x PCIe x1 slot & 2 x PCI slots |



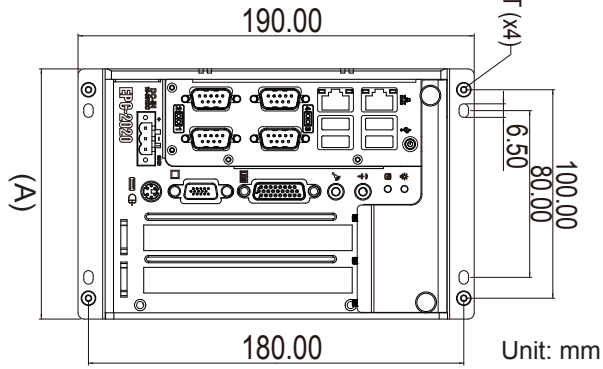
» Fanless, Cable-less Design

# Dimensions

## EPC-2000 Series



| Dimensions |       |
|------------|-------|
| Model      | (A)   |
| EPC-2020   | 120mm |
| EPC-2030   | 140mm |
| EPC-2032   | 140mm |



Unit: mm

### Fast, Tool-free Installation CFast & HDD



Thumbscrew Design for Easy, Tool-free Installation



Easily Remove Top Cover by Hand



2.5" Hard Disk Drive



CFast Card Installation

# EPC-2020/2030/2032


Programmable Embedded Controller with Intel® Atom™ D525 Platform

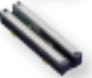
## Standard Accessories

|                 |                                    |   |
|-----------------|------------------------------------|---|
| <b>WMK-2000</b> | Wall-mount kit for EPC-2000 Series |  |
|-----------------|------------------------------------|---|

## Optional Accessories

|                  |                                |   |
|------------------|--------------------------------|---|
| <b>PAC-P065W</b> | 19V/3.4A 65W AC/DC adapter kit |  |
|------------------|--------------------------------|---|

|                 |   |   |
|-----------------|---|---|
| <b>DRK-2000</b> | Din rail mounting kit for EPC-2000 Series |  |
|-----------------|---|---|

|               |  |   |
|---------------|--|---|
| <b>TML-96</b> | 96-pin Din Rail Mountable Screw Terminal |  |
|---------------|--|---|

|               |  |   |
|---------------|--|---|
| <b>TML-37</b> | 37-pin Din Rail Mountable Screw Terminal |  |
|---------------|--|---|

|                    |  |   |
|--------------------|--|---|
| <b>CBL-96-1.5P</b> | 1.5M length Shielding Cable with 96-pin Half-pitch Connector at Each End |  |
|--------------------|--|---|


|                    |  |   |
|--------------------|--|---|
| <b>CBL-37-1.5P</b> | 1.5M length Shielding Cable with 37-pin D-type (M) Connector at Each End |  |
|--------------------|--|---|

## Optional Configuration (CTOS\* Kit)

|                  |                                 |  |
|------------------|---------------------------------|--|
| <b>SSD-25040</b> | Intel® 2.5" 40GB SATAII SSD kit |  |
|------------------|---------------------------------|--|

|                         |   |   |
|-------------------------|---|---|
| <b>DIO-16/16L(PCI)H</b> | 16-CH Input / 16-CH Output Isolated Digital I/O Board for PCI |  |
|-------------------------|---|---|

|                         |   |   |
|-------------------------|---|---|
| <b>DIO-32/32L(PCI)H</b> | 32-CH Input / 32-CH Output Isolated Digital I/O Board for PCI |  |
|-------------------------|---|---|

|                       |  |   |
|-----------------------|--|---|
| <b>COMM-2PD(PCI)H</b> | 2-CH Isolated RS-422A/485 Communication I/O Board with Isolation for PCI |  |
|-----------------------|--|---|

\*CTOS means Configure-to-Order Service.