

VS-08-A-RJ45/LP-1-IP67-BK

Order No.: 1658655

<http://eshop.phoenixcontact.de/phoenix/treeViewClick.do?UID=1658655>

RJ45 panel mounting frame, IP67, for PCB connection, for square panel cutout, with grommet, without mounting screws, color: black

Ethernet**Product notes**WEEE/RoHS-compliant since:
05/08/2007

<http://www.download.phoenixcontact.com>
Please note that the data given here has been taken from the online catalog. For comprehensive information and data, please refer to the user documentation. The General Terms and Conditions of Use apply to Internet downloads.

Commercial data

EAN	4046356163194
Pack	5 pcs.
Customs tariff	85369010
Weight/Piece	0.00507 KG
Catalog page information	Page 195 (PC-2009)

Technical data**Mechanical characteristics**

Number of slots	1
Insertion/withdrawal cycles	≥ 1000
Color	black
Ambient temperature (operation)	-40 °C ... 80 °C

Material data

Inflammability class acc. to UL 94	V0
Housing material	PA
Material	Plastic
Sealing material	NBR
Seal material	NBR
Degree of protection	IP67

Electrical characteristics

Pollution degree	2
------------------	---

Accessories

Item	Designation	Description
------	-------------	-------------

Female insert

1653087	VS-08-BU-RJ45-6/LH-1	RJ45 socket insert, for PCB assembly, CAT6, 8-pos., shielded, with angled solder pins, 1x
1688586	VS-08-BU-RJ45/LP-1	RJ45 socket insert, 1x, for PCB assembly, CAT5e, 8-pos., shielded, with angled solder pins

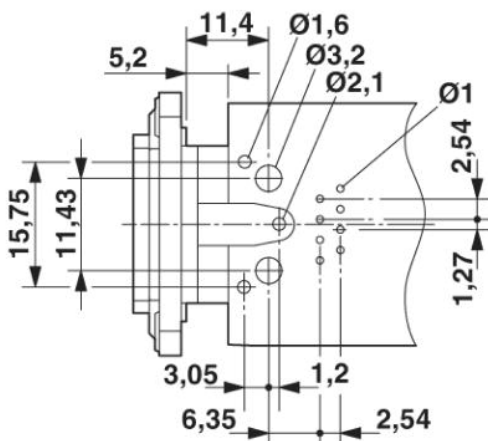
Protective covers

1658066	VS-08-SD-F-BK	Protective cover, IP67, flat design, to cover the contact insert in the panel mounting frame, color: black
---------	---------------	--

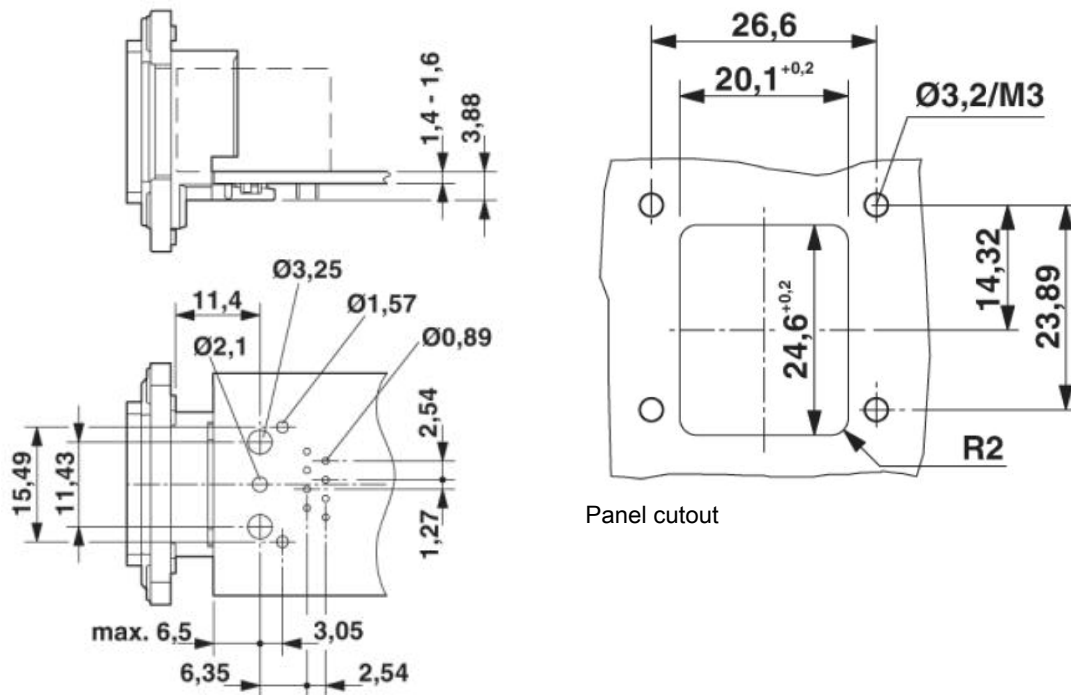
Diagrams/Drawings

Drilling plan/solder pad geometry

Drilling plan for VS-08-BU-RJ45-6/LH-1



Dimensioned drawing



Drilling plan for VS-08-BU-RJ45/LP-1

Address

PHOENIX CONTACT Inc., USA
586 Fulling Mill Road
Middletown, PA 17057, USA
Phone (800) 888-7388
Fax (717) 944-1625
<http://www.phoenixcon.com>



© 2010 Phoenix Contact
Technical modifications reserved;