

PLEASE CHECK WWW.MOLEX.COM FOR LATEST PART INFORMATION

Part Number: [44167-0001](#)
Status: **Active**
Overview: [Flat Blade](#)
Description: Flat Blade Appliance Dryer Motor Crimp Housing, 10 Circuit, with Tool Removable Latch

Documents:

[3D Model](#) [Packaging Specification PK-42865-001 \(PDF\)](#)
[Drawing \(PDF\)](#) [RoHS Certificate of Compliance \(PDF\)](#)
[Product Specification PS-43374-001 \(PDF\)](#)

Agency Certification

UL E29179

General

Product Family Crimp Housings
 Series [42865](#)
 Application Power
 Overview [Flat Blade](#)
 Product Name Flat Blade
 UPC 800753943735

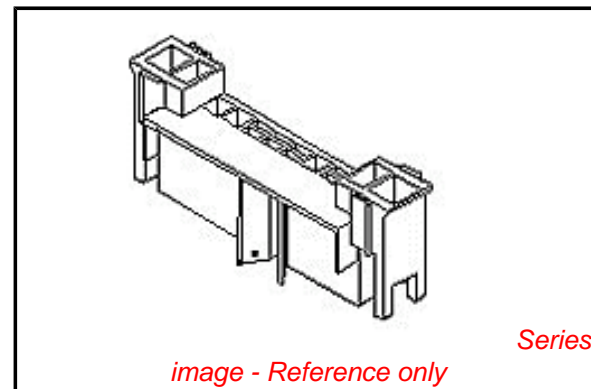
Physical

Circuits (maximum) 10
 Color - Resin Natural
 Flammability 94V-2
 Gender Female
 Glow-Wire Compliant No
 Keying to Mating Part Yes
 Lock to Mating Part Yes
 Material - Resin Nylon
 Net Weight 7.708/g
 Number of Rows 1
 Packaging Type Bag
 Panel Mount No
 Pitch - Mating Interface 5.59mm
 Polarized to Mating Part Yes
 Stackable No
 Temperature Range - Operating -40°C to +75°C

Material Info

Reference - Drawing Numbers

Packaging Specification PK-42865-001
 Product Specification PS-43374-001
 Sales Drawing SD-44167-001



EU RoHS

ELV and RoHS Compliant
REACH SVHC Contains SVHC: No
Low-Halogen Status Low-Halogen

China RoHS



Need more information on product environmental compliance?

Email productcompliance@molex.com
 For a multiple part number RoHS Certificate of Compliance, [click here](#)

Please visit the [Contact Us](#) section for any non-product compliance questions.

Search Parts in this Series

[42865Series](#)

Mates With

Dryer Motor

Use With

[1508 Crimp Terminals](#), [43374](#), [41422](#)