

# Chameleon Series CM-5500-AR70/AR80

15" Chameleon POS Terminal With Intel Haswell/ Baytrail Series Processor



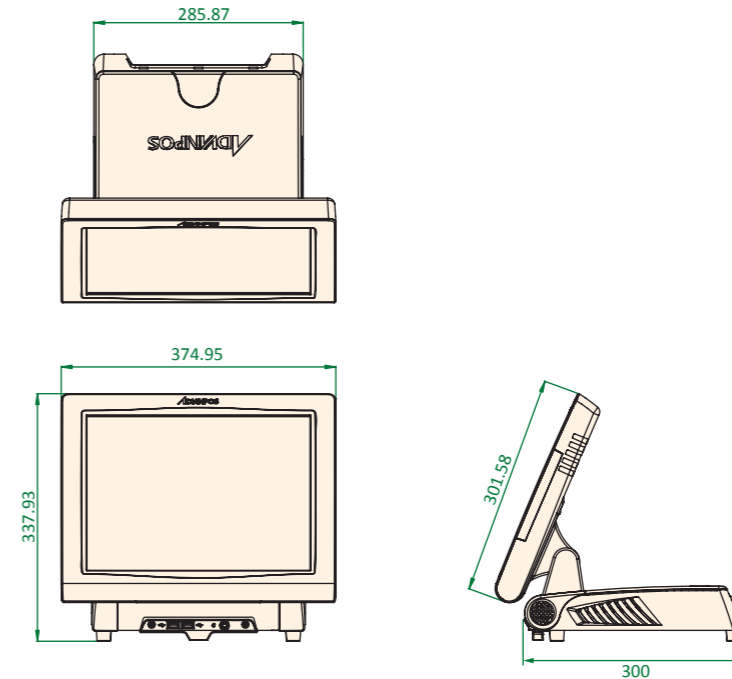
## Features

- 15" TFT LCD with Resistive Touch
- Intel® Haswell Core i7 / i5 / i3 / Pentium Processor
- Support System Memory Up to 16GB DDRIII SDRAM
- Excellent 3D Graphic Performance
- Plastic Housing
- Versatile 2nd Display Options
- 2 COM, 6 USB, 1 Gigabit LAN and 1 Full-sized mSATA Slot
- Device Options: MSR, i-Button, Finger-print, IC card reader
- Communications Options: RFID, WiFi or Bluetooth
- RoHS Compliance

System	CM-5500-AR70	CM-5500-AR80
<b>CPU</b>	Intel® Haswell Core i7 / i5 / i3 / Pentium processor with LGA1150 CPU socket	Intel® Celeron® J1900 quad-core processor 2.0 GHz
<b>Cache Memory</b>	Smart cache memory (base on CPU)	2MB 2nd level cache memory
<b>System Chipset</b>	Intel H81 (Haswell)	Intel® Bay Trail quad-core SoC
<b>System Memory</b>	Maximum up to 16GB DDR3	Maximum up to 8GB DDR3
Storage	CM-5500-AR70	CM-5500-AR80
<b>HDD Drive</b>	1 x 2.5" SATA HDD/SSD bay	1x2.5" SATA HDD/SSD Bay
<b>SATA speed</b>	SATA3 (6.0Gb/S)	SATA2 (3.0Gb/S)
<b>SSD</b>	1 x Full-sized mSATA slot	1 x Full-Sized mSATA
Main Display	15" TFT LCD (LED backlight) / 1024 x 768	
<b>Resolution</b>	15" TFT LCD (LED backlight) / 1024 x 768	
<b>Brightness</b>	250 cd/ m <sup>2</sup>	
<b>Touch Screen</b>	5-wire resistive touch	
I/O	CM-5500-AR70	CM-5500-AR80
<b>Serial Port</b>	External: COM1, COM2 (all Pin 9with +5V/12V)	COM1, COM2 (all Pin 9with +5V/12V)
<b>USB Port</b>	5 x USB 2.0, 1 x USB 3.0	4 x USB 2.0, 2 x USB 3.0
<b>Output</b>	1 x VGA port (D-Sub15) 1 x HDMI 1.4a port 1 x DVI-I port	1 x VGA port (D-Sub15) 1 x HDMI 1.4a port
<b>Audio</b>	1 x Line-out, 1 x Mic-in	1 x Line-out & Mic-in
<b>Ethernet</b>	1 x RJ-45 Gigabit Ethernet (10/100/1000)	1 x RJ-45 Gigabit Ethernet (10/100/1000)
<b>VFD connector</b>	1 x 8-pin (Only provided 12V power for 2nd display)	1 x 8-pin (Only provided 12V power for 2nd display)
<b>Cash Drawer</b>	RJ11 (12V/24V by external switch)	RJ11 (12V/24V by internal switch jumper)
<b>Power Button</b>	Power Switch (LED inside)	Power Switch (LED inside)
<b>Parallel Port</b>	N/A	1 x bi-directional parallel (D-Sub25)
Modular Option	<ul style="list-style-type: none"> <li>• 15" 10.1" TFT LCD (Touch/Non-Touch)</li> <li>• Embedded VFD Display (2 x 20, 5 or 9 mm Dot Character)</li> </ul>	
<b>MSR (3-in-1)</b>	<ul style="list-style-type: none"> <li>• MSR</li> <li>• MSR + IC card reader</li> <li>• MSR + iButton/ Fingerprint/ RFID (13.56KHz) (optional)</li> <li>• MSR + iButton/ Fingerprint/ RFID (13.56KHz) + IC card reader</li> </ul>	
<b>Wi-Fi/ Bluetooth</b>	WiFi (802.11b/g/n) or Bluetooth	
Mechanical & Environmental	CM-5500-AR70	CM-5500-AR80
<b>Case Material</b>	Plastic housing	
<b>Case Color</b>	Default Yellow/Gray, Red/Gray, Black/Gray, White/Gray Customization pattern can be made by request	
<b>Power Supply</b>	150W 12V power Adaptor	60W 12V power Adaptor
<b>Operation Temperature</b>	0 ~ 40° C operating with 2.5" SATA HDD	
<b>Dimensions &amp; Weight</b>	Metric: 352 (D) x 375 (W) x 350 (H)mm / 9 Kg US: 13.86 (D) x 14.76 (W) x 13.78 (H) / 19.84 lbs	
<b>IP Certification</b>	IP65 sealed front panel with touch screen	
<b>EMI / Safety</b>	CE, FCC, RoHS, CCC (optional)	
Software	Windows 7 Pro Embedded, POSReady 7, Windows 8 Pro Embedded, Linux Kernel 3.13 or above	
<b>OS Support</b>	Windows 7 Pro Embedded, POSReady 7, Windows 8 Pro Embedded, Linux Kernel 3.13 or above	

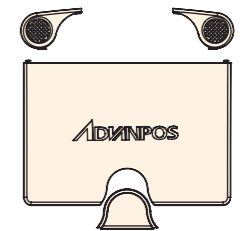
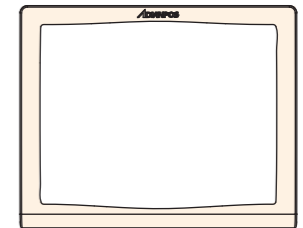
# Chameleon Series CM-5500-AR70/AR80

## Dimensions



Unit: mm

Color Kit Package (Black/ White/ Red/ Yellow)

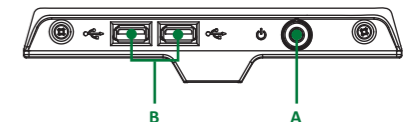


## Ordering Information

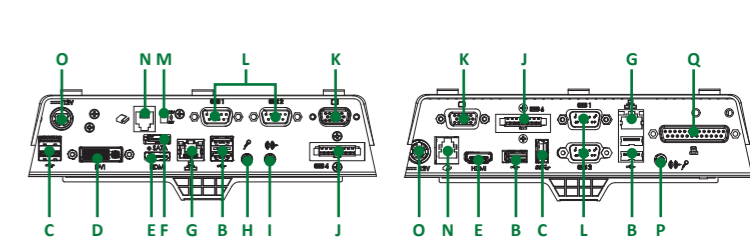
Part No.	Description
ADP-CM-5500-AR70Y	15" Haswell i5-4570T, Resistive T/S, 4G DDR3, ADP Logo, Black ODM, w/o OS & HDD
ADP-CM-5500-AR80X	15" Baytrail, Resistive T/S, 2G DDR3L, ADP Logo, Black ODM, w/o OS & HDD
96AP165122454000	RAM DDR3 2G/204/1333 (For CM5500-AR70)
96AP165122464000	RAM DDR3 2G/204/1600 LV (For CM5500-AR80)
96AP165122554000	RAM DDR3 4G/204/1333 (For CM5500-AR70)
96AP165122564000	RAM DDR3 4G/204/1600 LV (For CM5500-AR80)
96ND500G-ST-SG5K4	SG 500G 2.5" SATAIII 5KRPM 16MB 7MM 4K
ADP-MR-5001-06003	MSR PS2 CM55 Grey
ADP-MR-5030-06003	Finger Printer CM55 Grey
ADP-MR-5051-06003	MSR+ Finger Printer PS2 Grey
ADP-MR-5061-06003	MSR+ iButton PS2 Grey
ADP-MR-5071-06003	MSR+ RFID PS2 Grey
ADP-MR-5081-06003	MSR+ IC Card Reader PS2 Grey
ADP-MR-50A1-06003	MSR+ iButton+ IC Card Reader PS2 Grey
ADP-MR-50B1-06003	MSR+ Finger Printer+ IC Card Reader PS2 Grey
ADP-VD-3010-32074	Pole mount_VFD WP2029C Aluminum Pole 15CM Black
ADP-VD-3010-34074	Pole mount_VFD WP2029C Aluminum Pole 30CM Black
ADP-VD-3260-43074	Pole mount_VFD WD-304 Plastic Pole 22CM Black (Alphanumeric and Compound Words)
ADP-2D-0127-42006	10.1" Pole VGA Aluminum Pole 15CM Black
ADP-2D-0127-53004	10.1 Pole VGA Plastic 22CM Glass Black
ADP-2D-0727-12004	15" Pole VGA Aluminum Pole Glass Grey

## Fully-Integrated I/O

### Front I/O



### Rear I/O



- A. Power Button
- B. USB 2.0
- C. USB 3.0
- D. DVI
- E. HDMI
- F. eSATA
- G. LAN
- H. Mic-in
- I. Line-out
- J. COM/12V
- K. VGA
- L. COM
- M. Cash Drawer 12V/24V Switch
- N. RJ11- Cash Drawer
- O. 12V Input
- P. Mic-in & Line-out
- Q. Parallel Port

## Color Kit Ordering Information

Part No.	Description
ADP-CM5-0000000000	COLOR KIT _Black
ADP-CM5-0000000002	COLOR KIT _Red
ADP-CM5-0000000004	COLOR KIT _White
ADP-CM5-0000000006	COLOR KIT _Yellow
ADP-CM5-0000000010	COLOR KIT _Black w/ AdvanPOS Logo
ADP-CM5-0000000012	COLOR KIT _Red w/ AdvanPOS Logo
ADP-CM5-0000000014	COLOR KIT _White w/ AdvanPOS Logo
ADP-CM5-0000000016	COLOR KIT _Yellow w/ AdvanPOS Logo