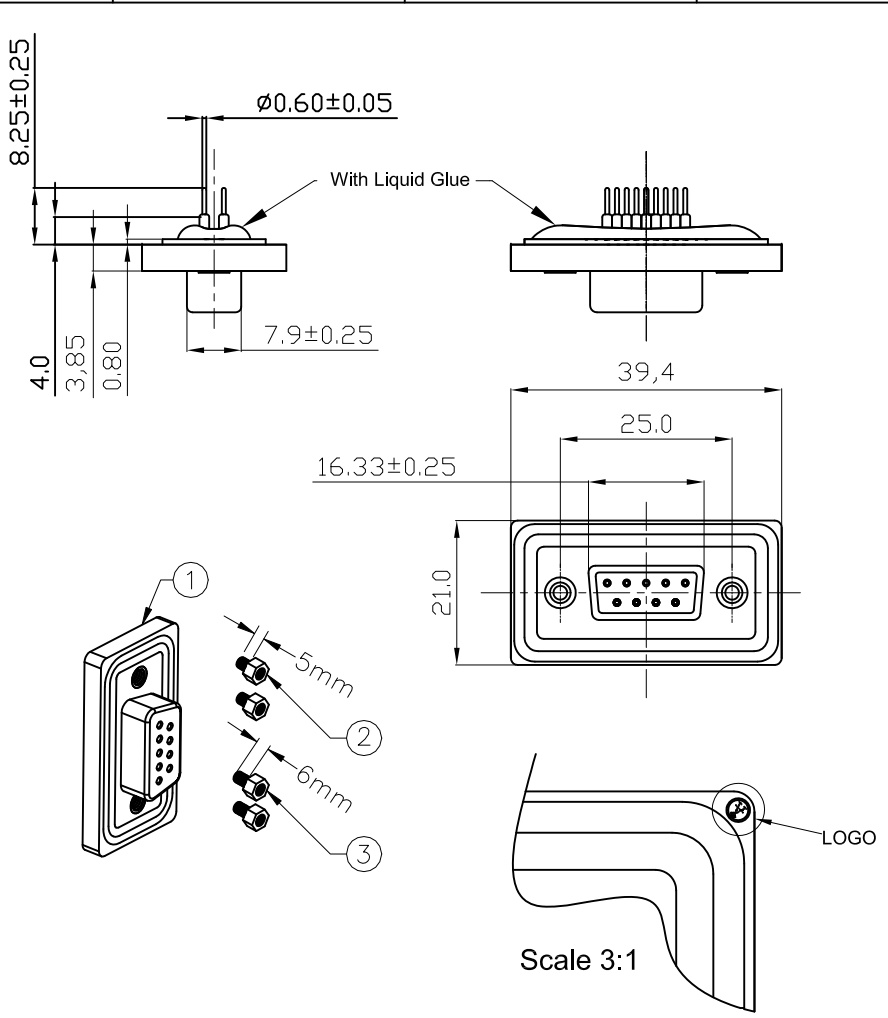


Panel Thickness  
 Screw L=5.0 For Panel Thickness Under 1.2mm  
 Screw L=6.0 For Panel Thickness Between 1.2-2.0mm

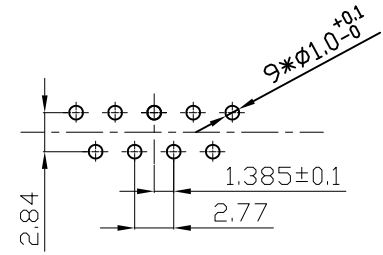
Recommended Panel Cut-Out



**NOTES:**


**MATERIAL**

1. Insulator Material: Black, NYLON+G/F
2. Contact Material : Copper Alloy
3. Plating : Gold Plating
4. Waterproof Rate: IP67
5. Do Mating Test After Glued
6. LOGO



9 Pin Female Connector  
 PCB Pin Layout  
 Scale 2:1

**RoHS compliant**

Scale	1:1					Date	Name	Customer-No.
TOLERANCE						Drawn	18.12.2008	JACK
X.X	$\pm 0.25$					Approved	18.12.2008	Hellwig
X.XX	$\pm 0.10$							
X.XXX	$\pm 0.05$							
DIM	TOL							Drawing-No.
ANGLE	$\pm 1^\circ$							ASSMANN WSW-No. <b>A-DF 09 PP-WP</b>
X.X°	$\pm X^\circ$	①	Drawn	18.12.2008	JACK			
Angle	TOL	Id.	Modification	Date	Name			Replace
