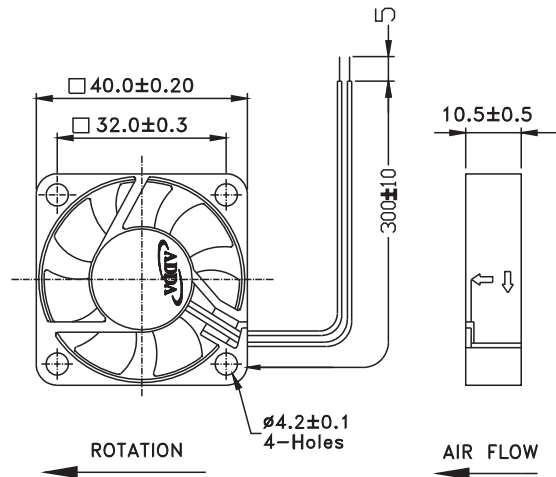




AD4010 SERIES

External Dimensions



Frame: Plastic (UL:94V-0)
 Impeller: Plastic (UL:94V-0)
 Bearing: Ball, Sleeve, 1B1S, Hypro bearing
 Lead wire: UL1007AWG26
 VOLTAGE AVAILABLE: 5V, 12V, 24V

*Noise is measured at the distance of one (1) meter from the axis of intake.

Specifications (Nominal)

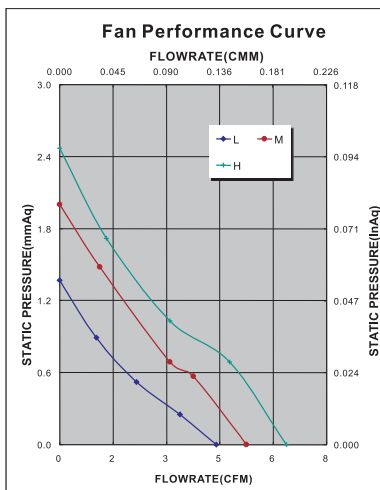
Bearing type: ○=Ball * =Sleeve ◯=1B1S ●=Hypro bearing

Frame size (mm)	Model No.	Bearing System Type	Rated Voltage (VDC)	Current (A)	Power (W)	Rated Speed (rpm)	Maximum AirFlow (CMM)	Maximum AirFlow (CFM)	Maximum Pressure (InAq)	Maximum Pressure (mmAq)	*Noise Level (dB/A)	Weight (g)
40x40x10	AD0405LB-G70(T)	○ * ○ ●	5	0.07	0.35	4200	0.132	4.70	0.061	1.52	14.0	17.0
	AD0405MB-G70(T)	○ * ○ ●	5	0.11	0.55	4800	0.161	5.70	0.078	1.98	20.0	
	AD0405HB-G70(T)	○ * ○ ●	5	0.16	0.80	6000	0.189	6.70	0.102	2.54	25.0	
	AD0412LB-G70(T)	○ * ○ ●	12	0.06	0.72	4200	0.132	4.70	0.061	1.52	14.0	
	AD0412MB-G70(T)	○ * ○ ●	12	0.06	0.72	4800	0.161	5.70	0.078	1.98	20.0	
	AD0412HB-G70(T)	○ * ○ ●	12	0.09	1.08	6000	0.189	6.70	0.102	2.54	25.0	
	AD0424LB-G70(T)	○ * ○ ●	24	0.03	0.72	4200	0.132	4.70	0.061	1.52	14.0	
	AD0424MB-G70(T)	○ * ○ ●	24	0.04	0.96	4800	0.161	5.70	0.078	1.98	20.0	
AD0424HB-G70(T)	○ * ○ ●	24	0.06	1.44	6000	0.189	6.70	0.102	2.54	25.0		

Specifications subject to change without notice.

40x40x10	AD0405LB-G70(X8)	●	5	0.07	0.35	4200	0.132	4.70	0.061	1.52	14.0	17.0
	AD0405MB-G70(X8)	●	5	0.11	0.55	4800	0.161	5.70	0.078	1.98	20.0	
	AD0405HB-G70(X8)	●	5	0.16	0.80	6000	0.189	6.70	0.102	2.54	25.0	
	AD0412LB-G70(X8)	●	12	0.06	0.72	4200	0.132	4.70	0.061	1.52	14.0	
	AD0412MB-G70(X8)	●	12	0.06	0.72	4800	0.161	5.70	0.078	1.98	20.0	
	AD0412HB-G70(X8)	●	12	0.09	1.08	6000	0.189	6.70	0.102	2.54	25.0	
	AD0424LB-G70(X8)	●	24	0.03	0.72	4200	0.132	4.70	0.061	1.52	14.0	
	AD0424MB-G70(X8)	●	24	0.04	0.96	4800	0.161	5.70	0.078	1.98	20.0	
AD0424HB-G70(X8)	●	24	0.06	1.44	6000	0.189	6.70	0.102	2.54	25.0		

Specifications subject to change without notice.



*Motor protective circuit and third lead wire functions

0	1	2	3	4	6	7	8	9	A	B
✓	✓	✓	✓		✓					✓

*Safety approvals

✓	✓		✓	✓