



pui audio™ inc
a projects unlimited company

AI-1223-TWT-12V-R 12mm Indicator

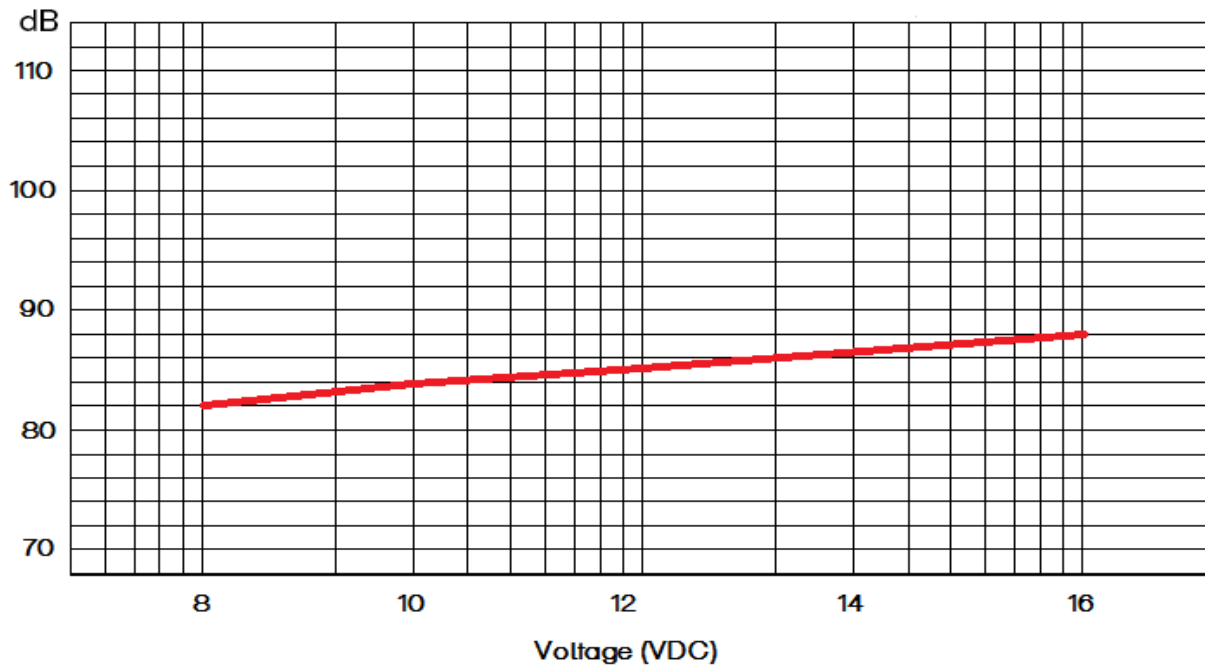
3541 Stop Eight Road • Dayton, Ohio 45414

Product Overview

- 12mm diameter, 8-16 VDC self-drive indicator
- 85 dBA minimum output (12 VDC @ 10 cm) and 2,300 Hz continuous tone
- PBT housing withstands Wave soldering temperatures
- Removable wash tag preserves performance

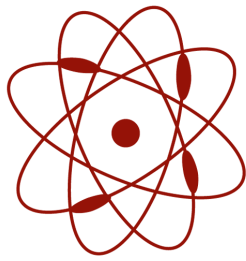


SPL vs Voltage (measured @10 cm)



RoHS Compliant





**pui
audio**™ inc
a projects unlimited company

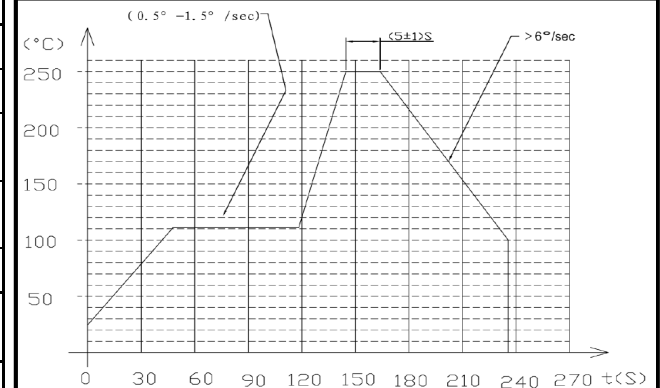
AI-1223-TWT-12V-R 12mm Indicator

Mechanical and Environment Testing

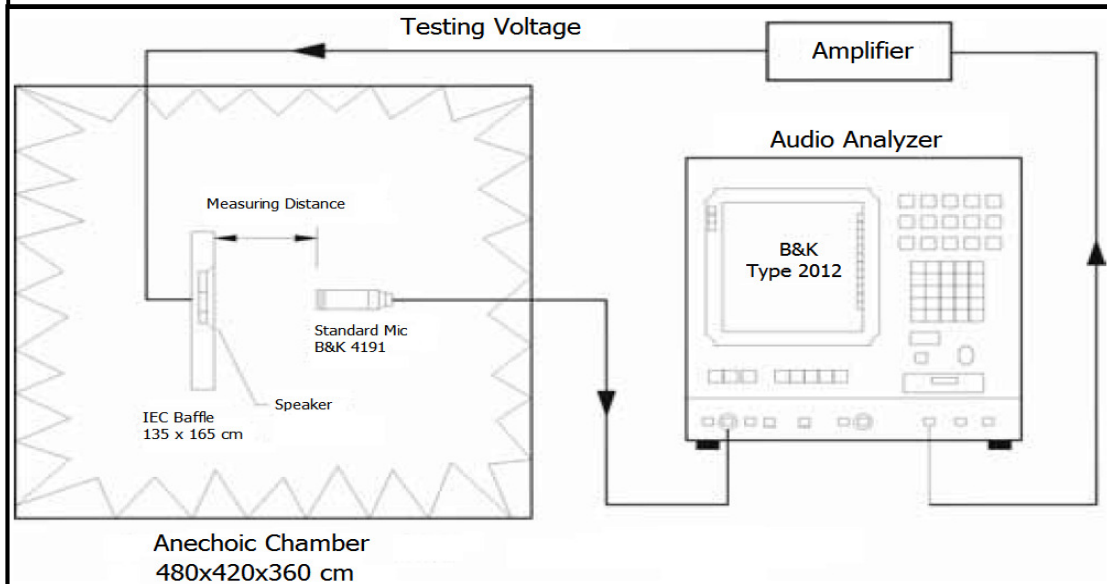
Test Description	Test Condition
High Temperature	85°C (±2°C) with random humidity for 96 hours
Low Temperature	-25°C (±2°C) with random humidity for 96 hours
Humidity	40°C (±2°C) with 90% to 95% relative humidity for 96 hours
Vibration	0.75 mm movement modulated at 10-55 Hz for 3 hours
Drop Test	100 cm free fall onto wood board, 10 cycles
Temperature Cycle Test	-30°C to 85°C, 100 cycles

After tests, part shall rest for 2 hours. Parts are then tested for clean, pure tones.

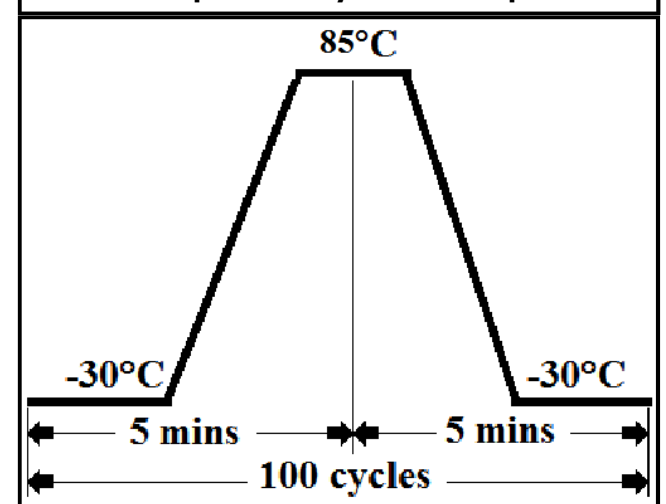
Wave Solder Profile



Frequency Response and SPL Measurement Setup



Temperature Cycle Test Graph



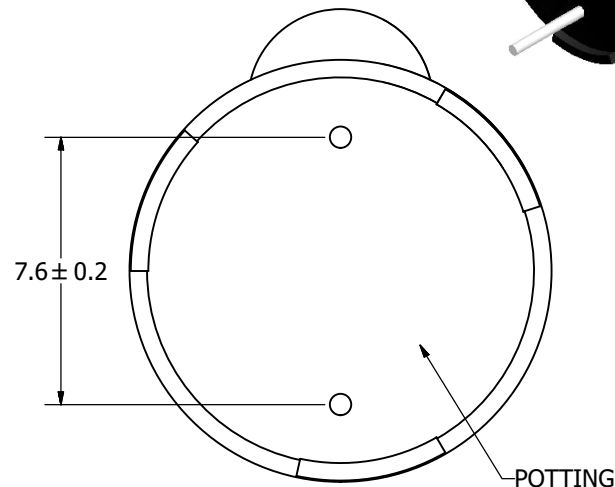
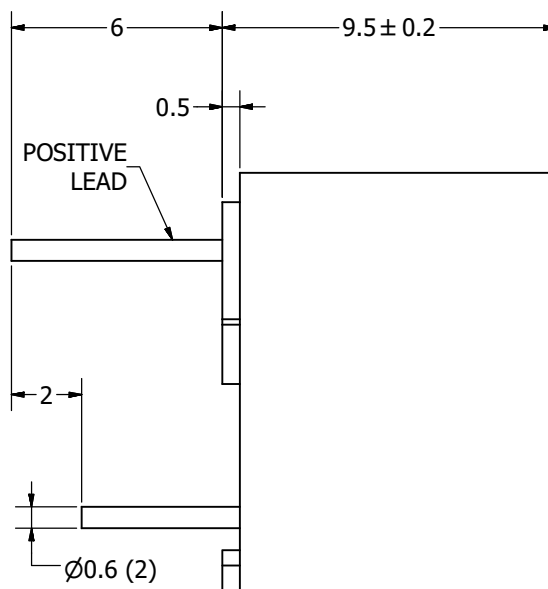
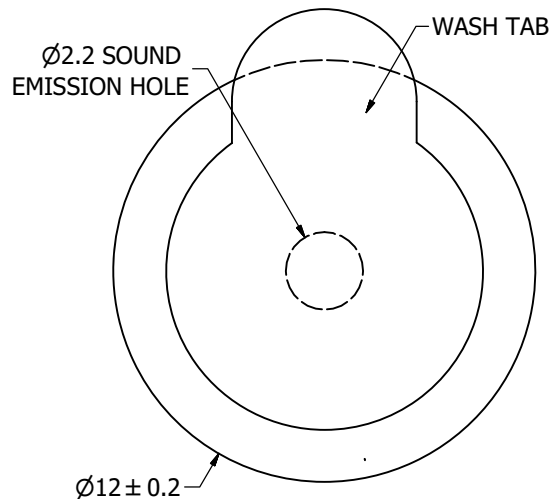
SPECIFICATIONS

PARAMETERS	VALUES	UNITS
RATED VOLTAGE	12	Vdc
OPERATING VOLTAGE RANGE	8 ~ 16	Vdc
RATED CURRENT (MAX)	30	mA
MINIMUM SPL @ 10 CM	85	dBA
RESONANT FREQUENCY	2,300 ± 400	Hz
TONE OR PULSE RATE	CONTINUOUS	0 pulse /sec
OPERATING TEMPERATURE	-20 ~ +70	°C
STORAGE TEMPERATURE	-30 ~ +80	°C
HOUSING MATERIAL	PBT	-
TERMINAL MATERIAL	Sn PLATED RED COPPER	-
WEIGHT	2	grams

THIS DOCUMENT CONTAINS DATA PROPRIETARY TO PROJECTS UNLIMITED, INC. ANY USE OR REPRODUCTION, IN ANY FORM, WITHOUT PRIOR WRITTEN PERMISSION OF PROJECTS UNLIMITED, INC. IS PROHIBITED.
©2003, Projects Unlimited Inc.

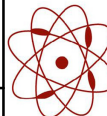
REVISION HISTORY

LTR	DESCRIPTION	DATE	APPROVED
-	RELEASED FROM ENGINEERING	8/10/2004	
A	REMOVED LEAD FREE NOTE ADDED RoHS NOTE	8/5/2005	B.R.
B	REVISED DIMENSION SIZE AND STYLE	11/28/2005	B.R.
C	REVISED SOUND HOLE AND TEMPERATURE	5/11/2010	B.R.
D	REVISED TO INVENTOR 3-D DRAWING TEMPLATE	6/30/2010	B.R.
E	REVISED HOUSING MATERIAL	9/25/2012	B.R.



NOTES:

1. ALL DIMENSIONS ARE IN MILLIMETERS.
2. SPECIFICATIONS SUBJECT TO CHANGE OR WITHDRAWAL WITHOUT NOTICE.
3. THIS PART IS RoHS 2002/95/EC COMPLIANT.

UNLESS OTHERWISE SPECIFIED: DIMENSIONS ARE IN MILLIMETERS, TOLERANCES ARE ± 0.5 AND ANGLES ARE $\pm 3^\circ$.	SIZE A3	Designed by	Date	Checked by	Date	Approved by	Date	Drawn Date
		R.A.C.	8/10/2004			R.W.	8/10/2004	6/30/2010
AI-1223-TWT-12V-R.idw		 pui audio a projects unlimited company				AI-1223-TWT-12V-R Indicator		
						Edition	Sheet	
						-	1 / 1	