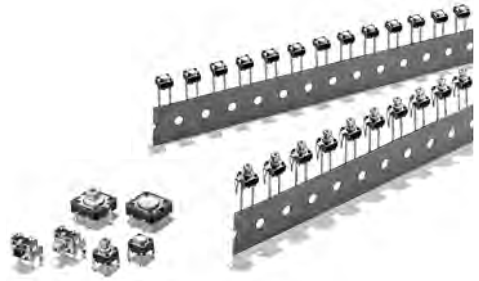






A Wide Range of Models: 6 x 6 mm, 12 x 12 mm, Vertical and High-force.

- ROHS compliant.
- A positive click action plus a long life equal to that of a no-contact switch.
- Radial models (taping specifications) that allow the use of general-purpose radial taping parts insertion machines have been added to the series.
- High reliability gold plated type available





Ordering Information

6 x 6 mm Models

Type	Plunger	Height	Operating force (of)	Bags (100 Switches)		
				Without ground terminal	With ground terminal	
Horizontal (B3F-1000)		4.3 mm	0.98 N {100 gf}	B3F-1000	B3F-1100	
			1.47 N {150 gf}	B3F-1002	B3F-1102	
			2.55 N {260 gf}	B3F-1005	B3F-1105	
			4.9 N {50 gf}	B3F-1006	–	
		5.0 mm	0.98 N {100 gf}	B3F-1020	B3F-1120	
			1.47 N {150 gf}	B3F-1022	B3F-1122	
			2.55 N {260 gf}	B3F-1025	B3F-1125	
			4.9 N {50 gf}	B3F-1026	–	
		5.0 mm (7.5-mm pitch)	0.98 N {100 gf}	–	B3F-1110	
		7.0 mm	0.98 N {100 gf}	B3F-1060	–	
			1.47 N {150 gf}	B3F-1062	–	
			9.5 mm	0.98 N {100 gf}	B3F-1070	–
	1.47 N {150 gf}			B3F-1072-N	–	
	Projected		7.3 mm	0.98 N {100 gf}	B3F-1050	B3F-1150
				1.47 N {150 gf}	B3F-1052	B3F-1152
				2.55 N {260 gf}	B3F-1055	B3F-1155
				4.9 N {50 gf}	B3F-1056	–
	Flat, high reliability gold plated		4.3 mm	1.76 N {180 gf}	B3F-1002-G	B3F-1102-G
			5.0mm		B3F-1022-G	B3F-1122-G
			7.0mm		B3F-1062-G	–
9.5mm			B3F-1072-G		–	
Projected, high reliability gold plated		7.3mm	1.76N (180gf)	B3F-1052-G	–	

Tactile Switch – B3F

6 x 6 mm Models

Type	Plunger	Height	Operating force (of)	Bags (100 Switches)		
				Without ground terminal	With ground terminal	
Vertical (B3F-3000)		3.15 mm	0.98 N {100 gf}	–	B3F-3100	
			1.47 N {150 gf}	–	B3F-3102	
			2.55 N {260 gf}	–	B3F-3105	
		3.85 mm	0.98 N {100 gf}	–	B3F-3120	
			1.47 N {150 gf}	–	B3F-3122	
			2.55 N {260 gf}	–	B3F-3125	
	Flat, high reliability gold plated	3.85mm	1.76N {180gf}	-	B3F-3122-G	
	Projected		6.15 mm	0.98 N {100 gf}	–	B3F-3150
				1.47 N {150 gf}	–	B3F-3152
2.55 N {260 gf}				–	B3F-3155	

Note: Switches are sold in units of 100 Switches. Orders must be made in multiples of 100 (the quantity per bag).

12 x 12 mm Models

Type	Plunger or LED colour	Height	Operating force	Bags (100 Switches)	
				Without ground terminal	With ground terminal
Standard (B3F-4000)	Flat	4.3 mm	1.27 N {130 gf}	B3F-4000	B3F-4100
			2.55 N {260 gf}	B3F-4005	B3F-4105
	Projected	7.3 mm	1.27 N {130 gf}	B3F-4050	B3F-4150
			2.55 N {260 gf}	B3F-4055	B3F-4155
Long life expectancy (B3F-5000)	Flat	4.3 mm	1.27 N {130 gf}	B3F-5000	B3F-5100
	Projected	7.3 mm		B3F-5050	B3F-5150
High reliability gold-plated (B3F-5000)	Flat	4.3 mm	1.27 N {130 gf}	B3F-5001	B3F-5101
	Projected	7.3 mm		B3F-5051	B3F-5151

Note: Switches are sold in units of 100 Switches. Orders must be made in multiples of 100 (the quantity per bag).

6 x 6 mm Radial Models (Taping Specifications)

Type	Plunger	Height	Operating force 0.98 N {100 gf}		Operating force 1.47 N {150 gf}	
			Without ground terminal	With ground terminal	Without ground terminal	With ground terminal
Standard (B3F-6000)	Flat	4.3 mm	B3F-6000	B3F-6100	B3F-6002	B3F-6106
		5.0 mm	B3F-6020	B3F-6120	B3F-6022	B3F-6122
	Projected	7.3 mm	B3F-6050	B3F-6150	B3F-6052	B3F-6152

Note: Switches are sold in units of 1,000 Switches. Orders must be made in multiples of 1,000. Switches are not sold individually.

■ Accessories (Order Separately)

Special Key Tops are available for projected plunger models.

Specifications

■ Rating/Characteristics

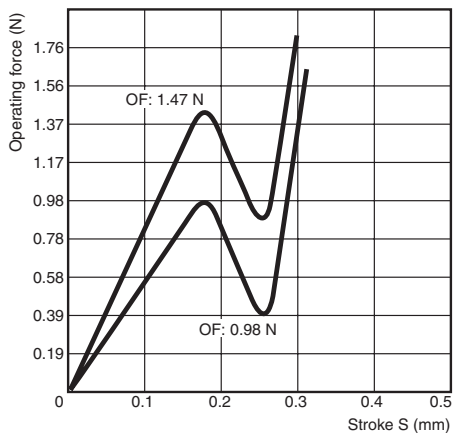
Switching capacity	1 to 50 mA, 5 to 24 VDC (resistive load), 100μ to 50 mA, 5 to 24 VDC for B3F-G series
Ambient temperature	-25°C to 70°C, at 60% maximum (with no icing)
Ambient humidity	35% to 85% (for +5° to 35°C)
Contact form	SPST-NO
Contact resistance	100 mΩ max. (initial value) (rated: 1 mA, 5 VDC), 100μA, 5 VDC for B3F-G series
Insulation resistance	100 MΩ min. (at 250 VDC)
Dielectric strength	500 VAC, 50/60 Hz for 1 min
Bounce time	5 ms max.
Vibration resistance	Malfunction: 10 to 55 Hz, 1.5 mm double amplitude
Shock resistance	Destruction: 1,000 m/s ² (approx. 100G) max. Malfunction: 100 m/s ² (approx. 10G) max.
Life expectancy	B3F-1000, B3F-3000, B3F-6000: 1,000,000 operations min (OF: 0.98 N) (B3F-1070: 500,000 operations min) 300,000 operations min (OF: 1.47 N) 100,000 operations min (OF: 2.55 N) 50,000 operations min (OF: 4.9 N) B3F-4000: 3,000,000 operations min (OF: 1.28 N) 1,000,000 operations min (OF: 2.55 N) B3F-5000: 10,000,000 operations min. B3F-G: 300,000 operations min
Weight	6 x 6 mm models: approx. 0.25 g 12 x 12 mm models (standard types): approx. 0.85 g Radial models: approx. 0.25 g

■ Operating Characteristics

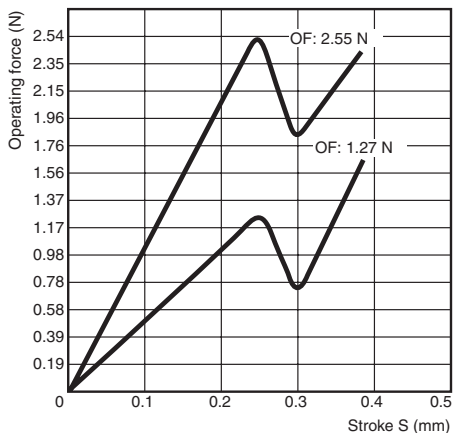
Operating force (OF)	B3F-1000, B3F-3000, B3F-6000				B3F-4000,	B3F-5000	B3F-G
	0.98 N	1.47 N	2.55 N	4.9 N	1.27 N	2.55 N	1.76N
	B3F-1□□□ B3F-3□□□ B3F-6□□□	B3F-1□□□2 B3F-3□□□2 B3F-6□□□2	B3F-1□□□5 B3F-3□□□5	B3F-10□□6	B3F-4□□□0 B3F-5□□□0	B3F-4□□□5	B3F-1□□□2-G B3F-3□□□2-G
Operating force (OF)	0.98±0.29 N {100±30 gf}	1.47±0.49 N {150±50 gf}	2.55±0.69 N {260±70 gf}	4.9±1.47N {100±30 gf}	1.27±0.49 N {130±50 gf}	2.55±0.69 N {260±70 gf}	1.76±0.49N {180±50gf}
Relapsing force (RF)	0.2 N {20 gf} min.	0.49 N {50 gf} min.	0.49 N {50 gf} min.	0.7 N {70 gf} min.	0.29 N {30 gf} min.	0.49 N min. {50 gf}	0.49N {50gf}
Pretravel (PT)	0.25 ^{+0.2/-0.1} mm				0.3 ^{+0.2/-0.1} mm		0.25 +0.2/ -0.1mm

Engineering Data

Operating Force vs. Stroke (Typical) B3F-1000, -3000, -6000



B3F-4000, -5000



Dimensions

Note 1. All units are in millimetres unless otherwise indicated. Unless otherwise specified, a tolerance of ± 0.4 mm applies to all dimensions.

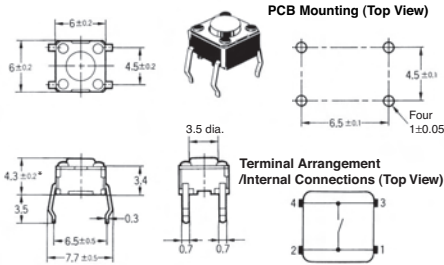
Note 2. No terminal numbers are indicated on the Switches. The numbers used for terminals in the following graphics are indicated in the "Bottom View" diagram below. In this diagram, the Switch is rotated so that the terminals are on the right and left-hand sides, and the OMRON logo appears the right way up.



6 x 6 mm Models

Horizontal, Flat Plunger Type (without Ground Terminal)

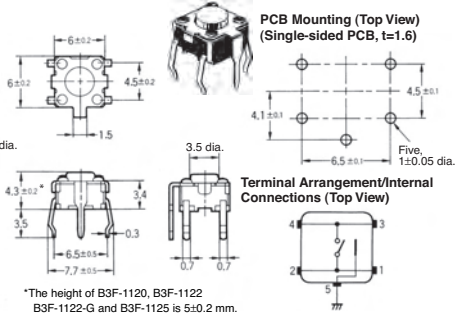
**B3F-1000, B3F-1002, B3F-1005, B3F-1006
B3F-1020 (See note), B3F-1022 (See note),
B3F-1025 (See note), B3F-1026 (See note).
B3F-1002-G, B3F-1022-G (see note).**



*The height of B3F-1020, B3F-1022, B3F-1022-G, B3F-1025 and B3F-1026 is 5 ± 0.2 mm.

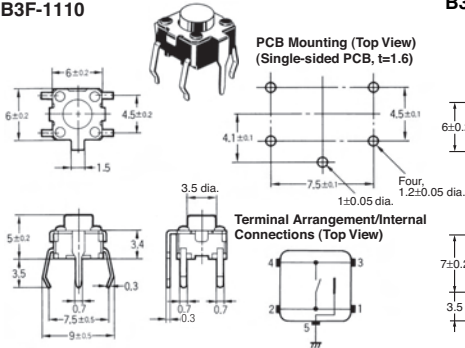
Horizontal, Flat Plunger Type (with Ground Terminal, Pitch: 6.5 mm)

**B3F-1100, B3F-1102, B3F-1105
B3F-1120 (See note), B3F-1122 (See note).
B3F-1125 (See note), B3F-1102-G, B3F-1122-G (see note).**



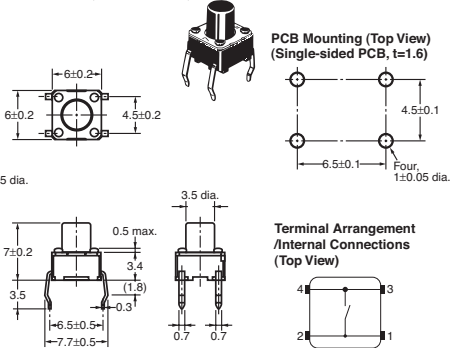
Horizontal, Flat Plunger Type (with Ground Terminal, Pitch: 7.5 mm)

B3F-1110



Horizontal, Flat Plunger Type (without Ground Terminal)

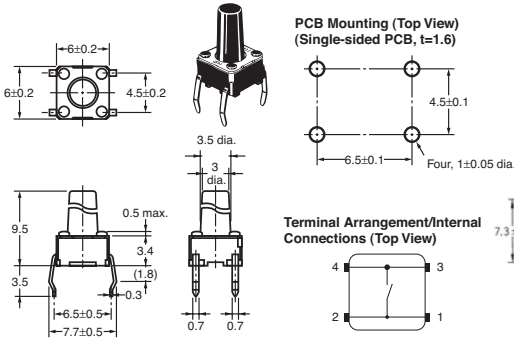
B3F-1060, B3F-1062, B3F-1062-G



Tactile Switch – B3F

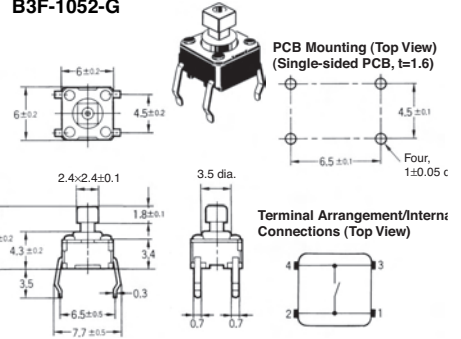
Horizontal, Flat Plunger Type (without Ground Terminal)

B3F-1070, B3F-1072-N, B3F-1075, B3F-1072-G



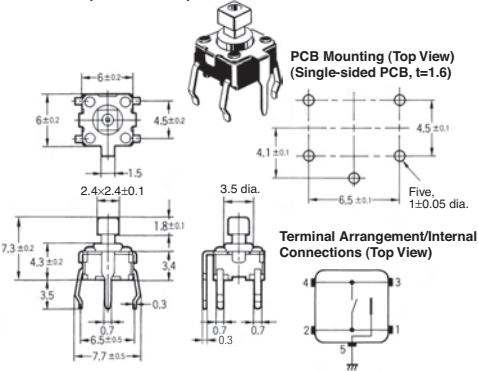
Horizontal, Projected Plunger Type (without Ground Terminal)

B3F-1050, B3F-1052, B3F-1055, B3F-1056
B3F-1052-G



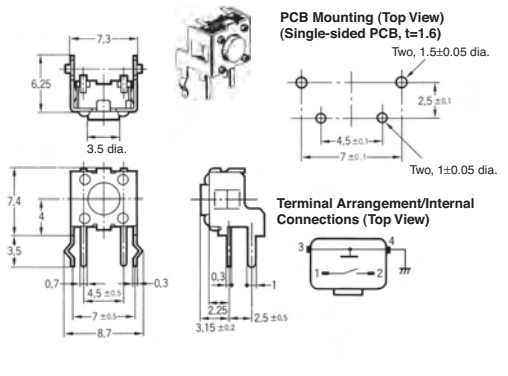
Horizontal, Projected Plunger Type (with Ground Terminal)

B3F-1150, B3F-1152, B3F-1155



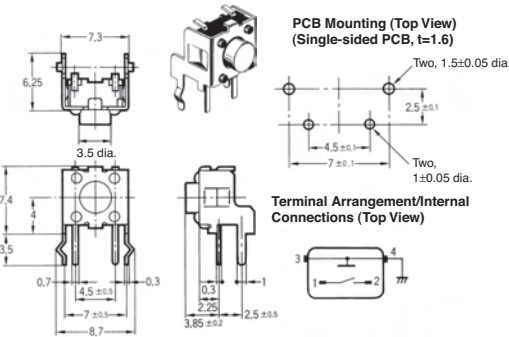
Vertical, Flat Plunger Type

B3F-3100, B3F-3102, B3F-3105



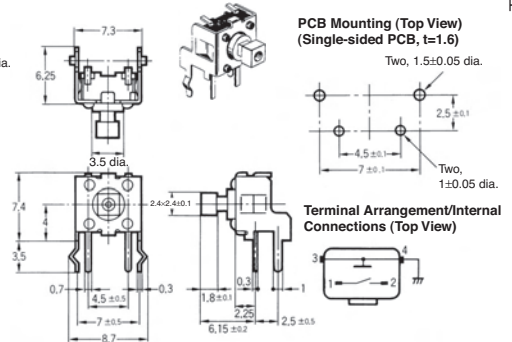
Vertical, Flat Plunger Type (Height: 3.85 mm)

B3F-3120, B3F-3122, B3F-3125, B3F-3122-G



Vertical, Projected Plunger Type

B3F-3150, B3F-3152, B3F-3155

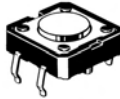


Tactile Switch – B3F

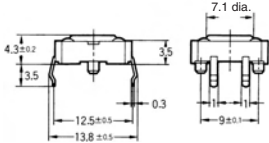
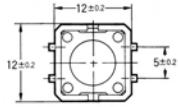
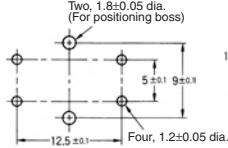
12 x 12 mm Models

Flat Plunger Type (without Ground Terminal)

B3F-4000, B3F-4005,
B3F-5000, B3F-5001

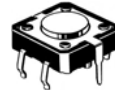


PCB Mounting (Top View)
(Single-sided PCB, t=1.6)

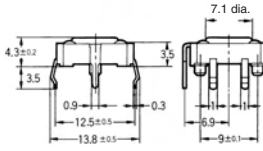
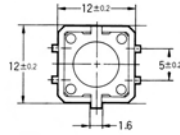
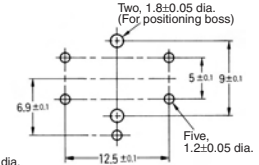


Flat Plunger Type (with Ground Terminal)

B3F-4100, B3F-4105,
B3F-5100, B3F-5101



PCB Mounting (Top View)
(Single-sided PCB, t=1.6)

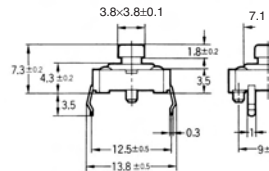
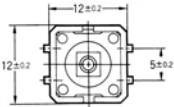
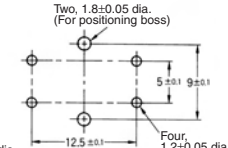


Projected Plunger Type (without Ground Terminal)

B3F-4050, B3F-4055,
B3F-5050, B3F-5051



PCB Mounting (Top View)
(Single-sided PCB, t=1.6)

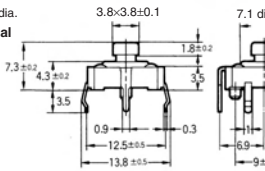
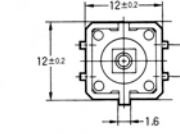
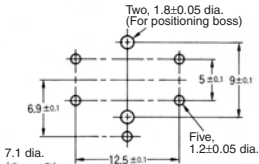


Projected Plunger Type (with Ground Terminal)

B3F-4150, B3F-4155,
B3F-5150, B3F-5151



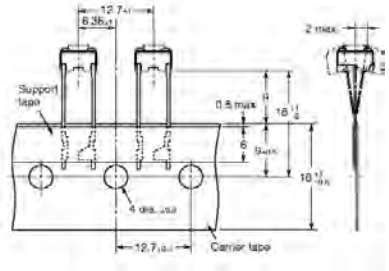
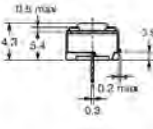
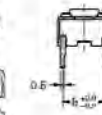
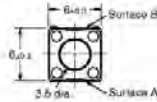
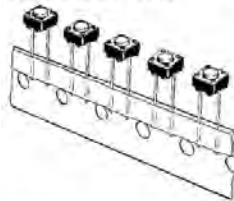
PCB Mounting (Top View)
(Single-sided PCB, t=1.6)



Tactile Switch – B3F

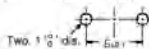
6 mm x 6 mm Radial Types (Taping Specifications): Sold in Units of 1,000 Switches

**Flat Plunger Type
(without Ground Terminal)**
B3F-6000, B3F-6002



Note: The tape is random between surface A and surface B.

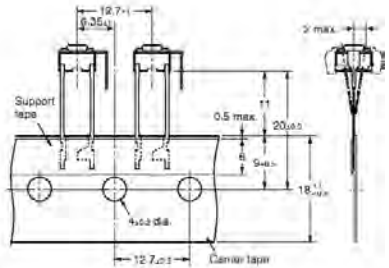
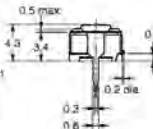
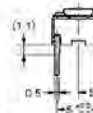
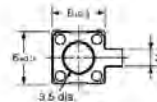
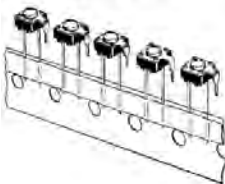
**PCB Mounting
(Top View)**
(Single-sided PCB, t=1.6)



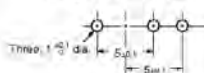
**Terminal Arrangement
/Internal Connections
(Top View)**



**Flat Plunger Type
(with Ground Terminal)**
B3F-6100, B3F-6102



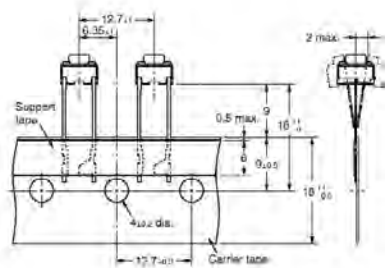
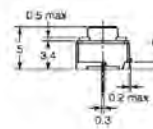
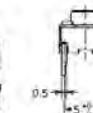
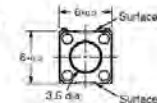
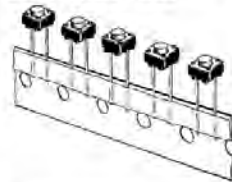
**PCB Mounting
(Top View)**
(Single-sided PCB, t=1.6)



**Terminal Arrangement
/Internal Connections
(Top View)**

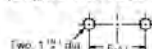


**Flat Plunger Type
(without Ground Terminal)**
B3F-6020, B3F-6022



Note: The tape is random between surface A and surface B.

**PCB Mounting
(Top View)**
(Single-sided PCB, t=1.6)

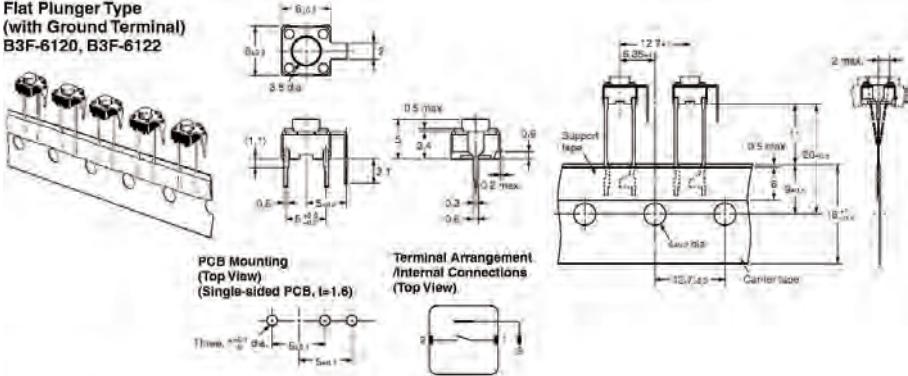


**Terminal Arrangement
/Internal Connections
(Top View)**

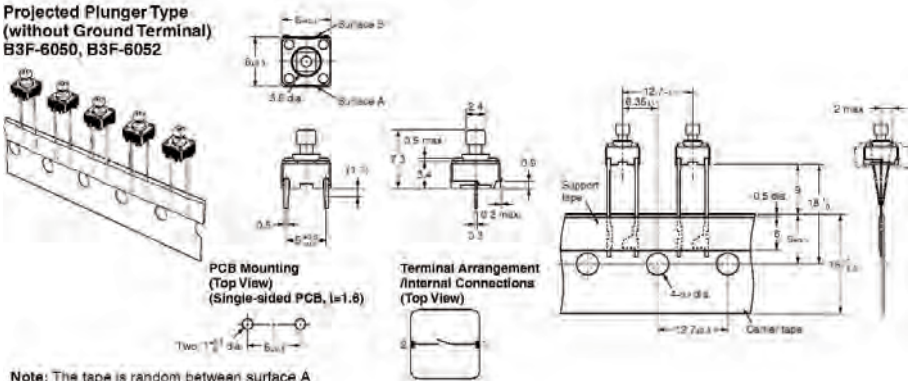


Tactile Switch – B3F

Flat Plunger Type (with Ground Terminal) B3F-6120, B3F-6122

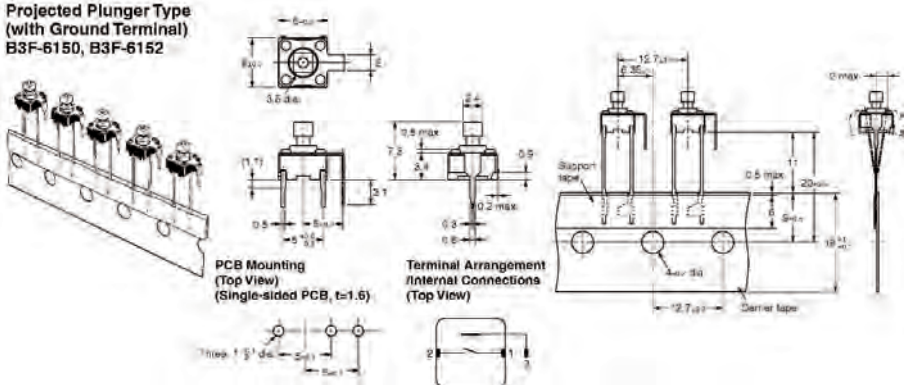


Projected Plunger Type (without Ground Terminal) B3F-6050, B3F-6052



Note: The tape is random between surface A and surface B.

Projected Plunger Type (with Ground Terminal) B3F-6150, B3F-6152



Key Tops

B32-series Special Key Tops are available for projected plunger models.