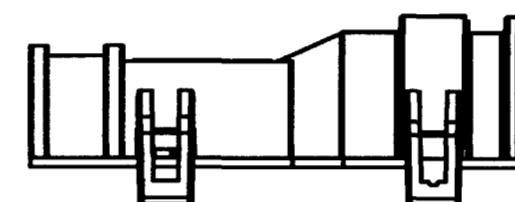
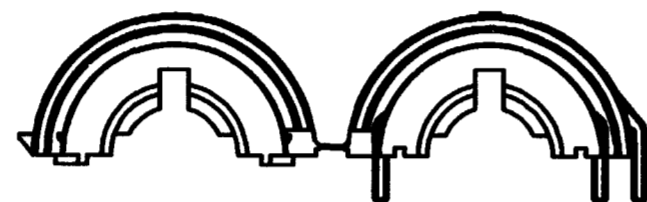
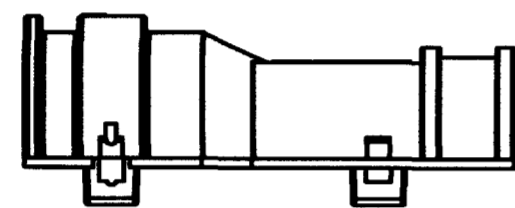
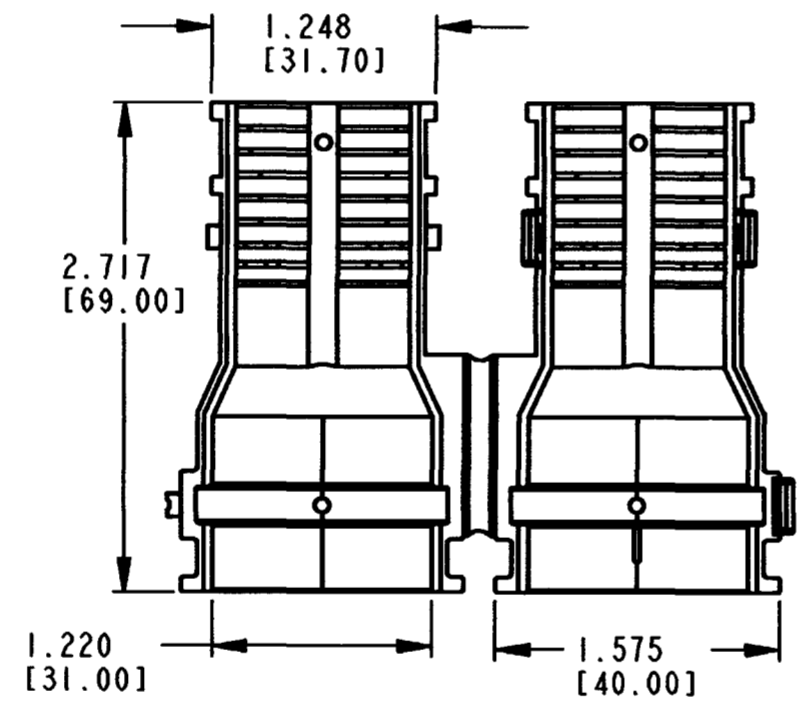


REV A	2428-016-1805	REVISIONS		
SYM	DESCRIPTION	DATE	APPROVED	
NC	NEW RELEASE PER E.O. P18688	12/11/07	R.D.R.	
A	REVISED PER E.O. P20010	10-1-08	RDR	



3-D VIEW
CLOSED



3-D VIEW
OPEN

- 5. MATERIAL: PLASTIC; COLOR: BLACK
- 4. THIS PART IS MANUFACTURED BY DI-EU, GERMANY.
- 3. THIS PART ACCOMMODATES CORRUGATED TUBES SIZES NW 13, 17, AND 19.
- 2. THIS PART MATES WITH HDP24/26-18-*P/S*-L017.

NOTES: 1. ALL DIMENSIONS ARE INCHES [MILLIMETERS] AND ARE ±.025[.63] UNLESS OTHERWISE SPECIFIED.

SIGNATURE & DATE	
DR	R. MESSENGER 10/20/04
CHK	Jami C. Grant 9/30/08
PE	Strawberry 9/30/08
APPD	R. Road 10-1-08
SCALE	NONE WT

STRAIGHT BACK SHELL
18 SIZE
NW 13, 17, 19 TUBES
HDP SERIES

ENVELOPE

EP	MATL. CODE
3850 INDUSTRIAL AVE. HEMET, CA 92545	
DEUTSCH INDUSTRIAL	
B	2428-016-1805
DWG SIZE	CODE 11139 SHEET 1 OF 1