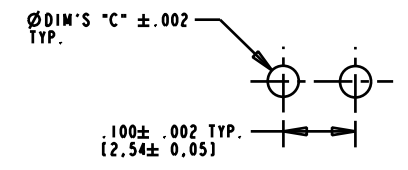
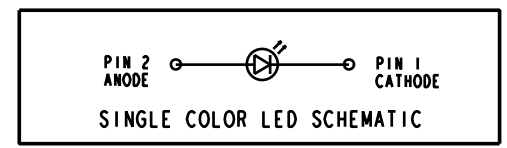
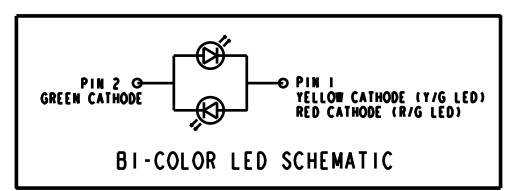
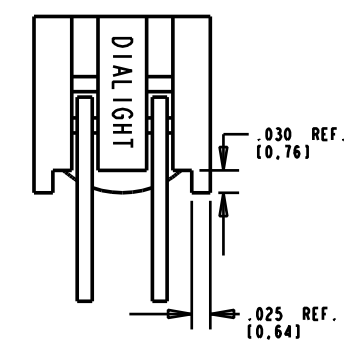
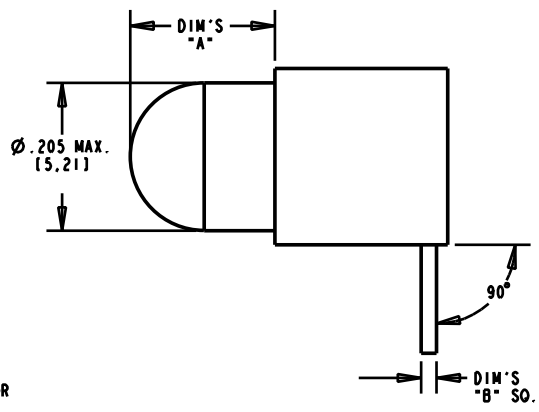
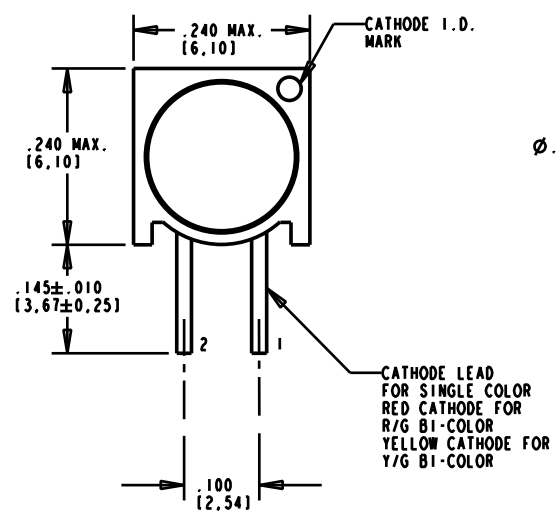
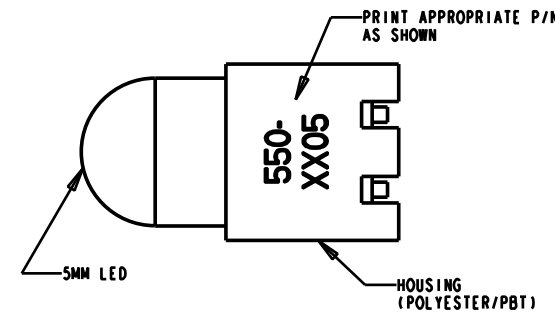


ASSEMBLY NUMBER	LED COLOR	DIM. "A"	DIM. "B"	DIM. "C"	LUM. INT. (MIL) (mod)	V _F (MAX) (V)	I _F (MAX) (mA)	lens (mm)	TEST. COND.	I _F (MAX) @ 5V(μA)
550-0205	GREEN DIFFUSED	.135	.020	.043	3.5	2.8		560	20mA	100
550-0305	YELLOW DIFFUSED	.135	.020	.043	3.5	2.8		585	20mA	100
550-0405	RED DIFFUSED	.135	.020	.043	3.5	2.8		635	20mA	100
550-0505	RED DIFFUSED 5 VOLT	.197	.025	.050	1.0		20	655	5V	100
550-0605	RED DIFFUSED 12 VOLT	.197	.025	.050	1.0		20	655	12V	100
550-0705	GREEN DIFFUSED 5 VOLT	.197	.025	.050	2.0		15	565	5V	100
550-0805	YELLOW DIFFUSED 5 VOLT	.197	.025	.050	2.0		15	583	5V	100
*550-1005	BLUE NON-DIFF. WATER CLEAR	.193	.020	.043	520	4.0		470	20mA	100
550-1105	RED TINTED DIFFUSED 2mA	.197	.018	.040	1.2	2.2		635	2mA	50
550-1205	YELLOW TINTED DIFFUSED 2mA	.197	.018	.040	2.2	2.7		583	2mA	50
550-1305	GREEN DIFFUSED 2mA	.197	.018	.040	2.2	2.2		565	2mA	50
550-2205	GREEN DIFFUSED	.190	.020	.043	3.6	3.0		563	10mA	
550-2305	YELLOW DIFFUSED	.190	.020	.043	2.2	3.0		585	10mA	100
550-2405	RED DIFFUSED	.190	.020	.043	2.2	2.55		650	10mA	100
550-2505	ORANGE DIFFUSED	.197	.018	.040	4.0	2.4		600	10mA	100
550-3005	RED/GREEN BI-COLOR	.190	.020	.043	14/9	2.4/2.8		660/565	20mA	100
550-3105	YEL/GREEN BI-COLOR	.190	.020	.043	2.5	2.8		585/565	20mA	100
550-5105	RED DIFFUSED	.190	.020	.043	17	2.55		650	20mA	10
550-5205	GREEN TINTED DIFFUSED	.190	.020	.043	17	3.0		563	20mA	10
550-5305	YELLOW TINTED DIFFUSED	.190	.020	.043	17	3.0		585	20mA	10
550-5405	AMBER TINTED DIFFUSED	.190	.020	.043	17	3.0		610	20mA	10
550-5505	RED NON-DIFF. WATER CLEAR	.197	.018	.040	80	3.0		635	20mA	100
550-5605	GREEN NON-DIFF. WATER CLEAR	.197	.018	.040	80	3.0		585	20mA	100
550-5705	YELLOW NON-DIFF. WATER CLEAR	.197	.018	.040	80	3.0		583	20mA	100
550-5805	AMBER NON-DIFF. WATER CLEAR	.190	.024	.050	60	2.5		605	20mA	

SEE NOTE 4

REV.	ECN NO.	REVISIONS	DRN.	CKD.	APP.	DATE
A	—	NEW RELEASE	JMC		NO	2-7-94
B	—	ADDED P/N 550-2505, -3105, LED SPECS AND SCHEMATICS; DELETED NOTE 1 & HOLE SIZE TO LEAD SIZE NOTES. ADDED 4 NEW NOTES. REDRAWN TO PRO-E.	DC	YC	NO	5-18-00
C	—	ADDED P/N 550-1005. ADDED NOTE 4. NOTE 5 WAS NOTE 4.	JAV			



RECOMMENDED P.C.B. HOLE PATTERN

- NOTES:
- LEADS TO FIT INTO HOLE PATTERN AS SHOWN.
 - LED LEAD DIMENSIONS SHOWN ARE MEASURED AT HOUSING EXIT.
 - PIN NUMBERS FOR REFERENCE ONLY, DESIGNATION NON-EXISTENT ON PARTS.
 - ATTENTION: OBSERVE PRECAUTIONS FOR HANDLING ELECTROSTATIC SENSITIVE DEVICES. FOR EYE SAFETY DO NOT STARE DIRECTLY INTO THE LIGHT BEAM OF THESE LED DEVICES AT CLOSE RANGE.
 - DIALIGHT PART NUMBER: 550-0205 THRU 550-5805.

THIS DRAWING AND THE CONTENTS HEREIN ARE CONFIDENTIAL AND THE SOLE PROPERTY OF DIALIGHT. REPRODUCTION OF THIS DRAWING OR CONSTRUCTION OF ANY PARTS WITHIN THIS DRAWING ARE FORBIDDEN WITHOUT THE WRITTEN CONSENT OF DIALIGHT.

SCALE: 6.000

ALL DIM'S IN: INCHES (MM)

TOLERANCES: UNLESS OTHERWISE SPECIFIED

FRACTIONS (1/64)

DECIMALS (.XXX): ±.020

DECIMALS (.XXXX): ±.015

DECIMALS (.XXXXX): ±.0005

ANGLES: ±3°

FINISH:

FSCN 83330

DRAWING NUMBER: C-15844

REV: C

TITLE: 5mm LED CBI, SO. BACK HOUSING

MATERIAL:

1501 ROUTE 34 SOUTH FARMINGDALE, NJ 07727

SHEET OF FAMILY TABLES: