

PLEASE CHECK WWW.MOLEX.COM FOR LATEST PART INFORMATION

Part Number: [0743351002](#)
Status: **Active**
Overview: [vhdm](#)
Description: 2.00mm (.079") Pitch VHDM® Board-to-Board Backplane Header, Vertical, 8-Row, Signal Module, 60 Circuits, Pin Length 6.25mm (.246")

Documents:

[Drawing \(PDF\)](#) [RoHS Certificate of Compliance \(PDF\)](#)

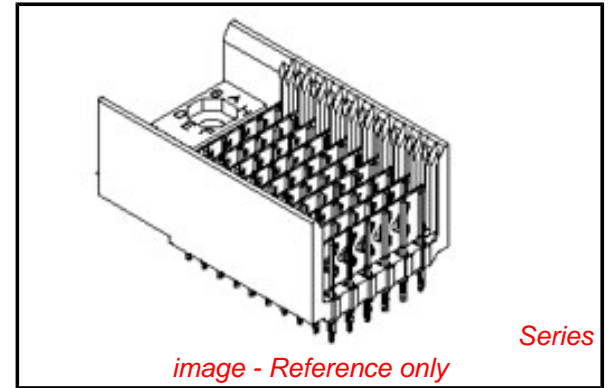
General

Product Family	Backplane Connectors
Series	74058
Application	Backplane
Component Type	PCB Header
Overview	vhdm
Product Name	VHDM®
Style	N/A

Physical

Circuits (Loaded)	10, 60
Circuits (maximum)	70
Color - Resin	Black
Durability (mating cycles max)	200
First Mate / Last Break	No
Guide to Mating Part	No
Keying to Mating Part	None
Material - Metal	Beryllium Copper, High Performance Alloy (HPA)
Material - Plating Mating	Gold
Material - Plating Termination	Tin-Lead
Material - Resin	High Temperature Thermoplastic
Number of Columns	N/A
Number of Pairs	Open Pin Field
Number of Rows	6
Orientation	Vertical
PC Tail Length (in)	0.098 In
PC Tail Length (mm)	2.50 mm
PCB Locator	No
PCB Retention	None
PCB Thickness Recommended (in)	0.071 In
PCB Thickness Recommended (mm)	1.80 mm
Packaging Type	Tube
Pitch - Mating Interface (in)	0.079 In
Pitch - Mating Interface (mm)	2.00 mm
Pitch - Term. Interface (in)	0.039 In
Pitch - Term. Interface (mm)	1.00 mm
Plating min: Mating (µin)	30
Plating min: Mating (µm)	0.75
Plating min: Termination (µin)	30
Plating min: Termination (µm)	0.75
Polarized to PCB	Yes
Stackable	No
Surface Mount Compatible (SMC)	Yes
Temperature Range - Operating	105°C
Termination Interface: Style	Through Hole - Compliant Pin

Electrical



EU RoHS

RoHS Compliant by Exemption

REACH SVHC

Contains SVHC: No

Halogen-Free

Status

Halogen-Free

China RoHS



Need more information on product environmental compliance?

Email productcompliance@molex.com
 For a multiple part number RoHS Certificate of Compliance, [click here](#)

Please visit the [Contact Us](#) section for any non-product compliance questions.

Search Parts in this Series

[74058Series](#)

Application Tooling | [FAQ](#)

Tooling specifications and manuals are found by selecting the products below. Crimp Height Specifications are then contained in the Application Tooling Specification document.

Global

Description	Product #
VHDM® Insertion Module for Advanced Mate Signal Header, 6 Row by 10 Wide, 20.00mm (.787")	0622020203

Current - Maximum per Contact	2A
Data Rate	3.125 Gbps
Real Signals (per 25mm)	75
Shielded	No
Voltage - Maximum	120V AC (RMS)/DC

Material Info

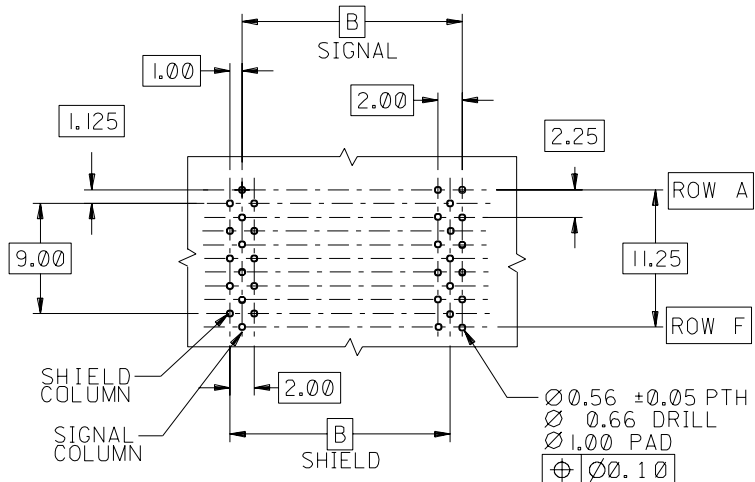
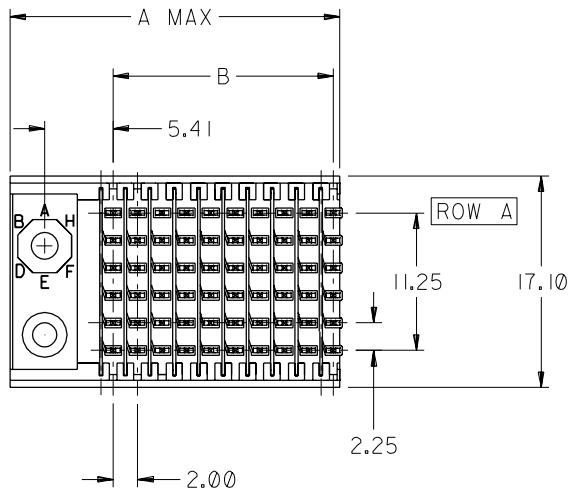
Reference - Drawing Numbers

Packaging Specification	PK-74057-003
Sales Drawing	SD-74335-002

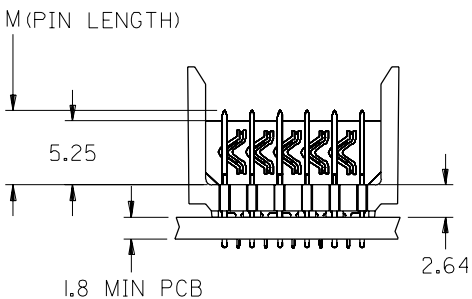
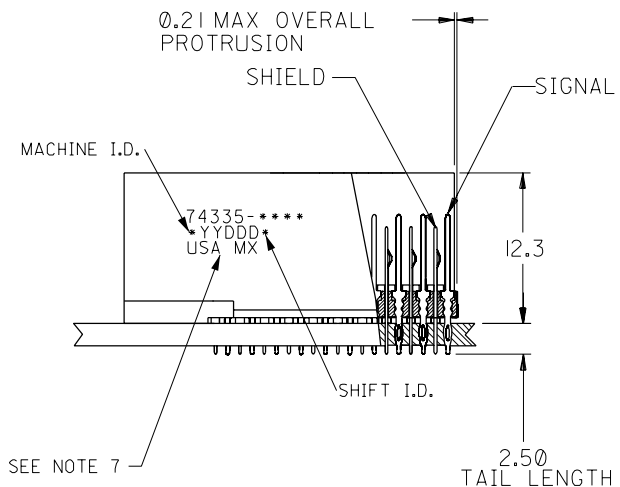
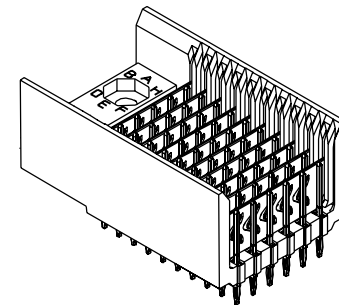
VHDM and Very High Density Metric are trademarks of Amphenol Corporation

This document was generated on 05/19/2010

PLEASE CHECK WWW.MOLEX.COM FOR LATEST PART INFORMATION



BACKPLANE HOLE PATTERN
RECOMMENDED DIMENSIONS

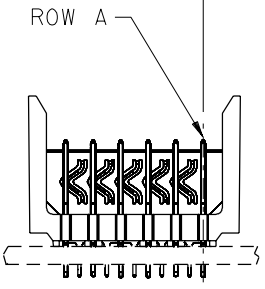
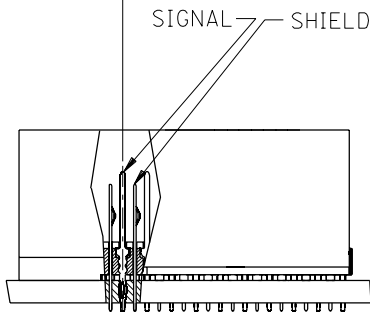
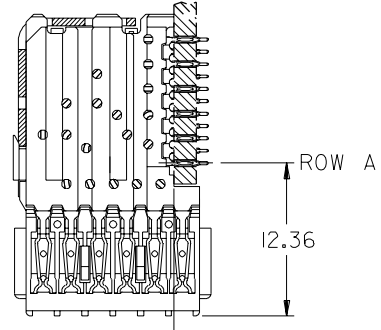
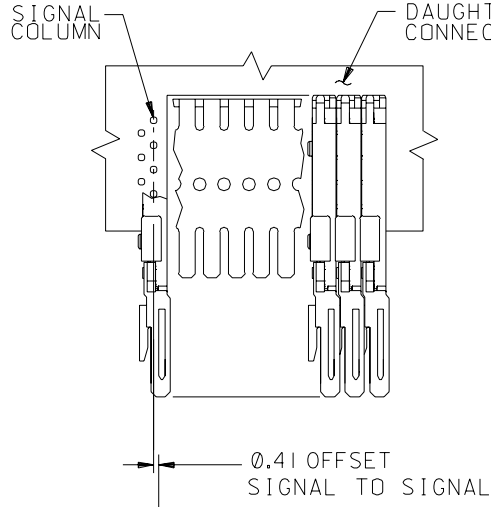


NOTES:

- MATERIALS:
HOUSING - LIQUID CRYSTAL POLYMER (LCP),
GLASS-FILLED, UL 94V-0, COLOR: BLACK.
SIGNAL PIN & SHIELD - COPPER ALLOY.
- FINISHES:
SELECTIVE GOLD (Au) IN CONTACT AREA;
SELECTIVE TIN/LEAD (Sn/Pb) ON PCB TAILS AND
NICKEL (Ni) OVERALL.
- THIS PART CONFORMS TO MOLEX
PRODUCT SPECIFICATION PS-74031-999
- FOR MIXED CONTACT MATING LENGTHS.
CONSULT MOLEX FOR AVAILABILITY.
- FOR SPECIFIC MATERIAL NUMBERS
AND MATING INFORMATION REFER TO
SHEET 2.
- PACKAGE PER PK-74057-003.
- EITHER MARK PARTS WITH PART NUMBER AND DATE CODE
APPROXIMATELY WHERE SHOWN OR PLACE LABEL ON THE TUBE.

2	E
1	E
SHT	REV
REVISE ON CAD ONLY	

REVISED EC NO. UDT2002-0443 DRWN: MWANG 01/09/18 CHK: JLAURX 01/09/18 APPR: CBIXLER 01/09/18	QUALITY SYMBOLS MAJOR = 0 CRITICAL = 0	GENERAL TOLERANCES: (UNLESS SPECIFIED)		SCALE 2.5:1	DESIGN UNITS <input checked="" type="checkbox"/> mm <input type="checkbox"/> INCH	THIRD ANGLE PROJECTION	DIMENSIONS: <input type="checkbox"/> mm <input type="checkbox"/> INCH <input checked="" type="checkbox"/> mm ONLY		SHEET NO. 1 OF 2
		4 PLACES ±0. -- ±. 3 PLACES ±0. -- ±. 2 PLACES ±0. -- ±. 1 PLACE ±0. -- ±.	mm INCH DRAWN BY & DATE MWANG 00/02/08 CHECKED BY & DATE JLAURX 00/02/09 APPROVED BY & DATE CBIXLER 00/02/09	TITLE: VHDM BACKPLANE 6 ROW SIGNAL-PIN END SALES DRAWING	MOLEX INCORPORATED		MATERIAL NO. SEE SHEET 2	DRAWING NO. SD-74335-002	SIZE B
REV E	DESCRIPTION	DRAFT WHERE APPLICABLE MUST REMAIN WITHIN DIMENSIONS		THIS DRAWING CONTAINS INFORMATION THAT IS PROPRIETARY TO MOLEX INCORPORATED AND SHOULD NOT BE USED WITHOUT WRITTEN PERMISSION.				SHEET NO. 1 OF 2	



PART NUMBER	COLUMN	NUMBER OF SIGNAL	NUMBER OF PIN SHIELD	A MAX	B	M	Au (um) THICKNESS	Sn/Ph (um) THICKNESS
74335-1001	10	60	10	27.00	18.00	4.75	0.76	0.38-1.52
74335-1006							1.27	
74335-2501	25	150	25	57.00	48.00		0.76	
74335-2506							1.27	
74335-1002	10	60	10	27.00	18.00	6.25	0.76	
74335-1007							1.27	
74335-2502	25	150	25	57.00	48.00		0.76	
74335-2507							1.27	
74335-1003	10	60	10	27.00	18.00	4.25	0.76	
74335-1008							1.27	
74335-2503	25	150	25	57.00	48.00		0.76	
74335-2508							1.27	
74335-1004	10	60	10	27.00	18.00	5.15	0.76	
74335-1009							1.27	
74335-2504	25	150	25	57.00	48.00		0.76	
74335-2509							1.27	

REVISED EC NO. JDT2002-0443 DRWN: MWANG 01/09/18 CHK: JLAURX 01/09/18 APPR: CBIXLER 01/09/18	QUALITY SYMBOLS MAJOR $\nabla = 0$ CRITICAL $\nabla C = 0$	GENERAL TOLERANCES: (UNLESS SPECIFIED)		SCALE 2.5:1	DESIGN UNITS <input checked="" type="checkbox"/> mm <input type="checkbox"/> INCH	DIMENSIONS: <input type="checkbox"/> mm <input type="checkbox"/> INCH <input checked="" type="checkbox"/> mm ONLY	SHT REV	
		4 PLACES $\pm 0. \text{---} \pm.$	3 PLACES $\pm 0. \text{---} \pm.$	2 PLACES $\pm 0. \text{---} \pm.$	1 PLACE $\pm 0. \text{---} \pm.$	DRAWN BY & DATE MWANG 99/11/28	THIRD ANGLE PROJECTION	REVISION ON CAD ONLY
		ANGULAR: $\pm \text{---} \circ$				CHECKED BY & DATE JLAURX 00/02/09	TITLE: VHDM BACKPLANE 6 ROW SIGNAL-PIN END SALES DRAWING	
		DRAFT WHERE APPLICABLE MUST REMAIN WITHIN DIMENSIONS				APPROVED BY & DATE CBIXLER 00/02/09	MOLEX INCORPORATED	
REV E	DESCRIPTION	THIS DRAWING CONTAINS INFORMATION THAT IS PROPRIETARY TO MOLEX INCORPORATED AND SHOULD NOT BE USED WITHOUT WRITTEN PERMISSION.		CAD FILENAME SD-74335-002-DGN	MATERIAL NO. SEE CHART	DRAWING NO. SD-74335-002	SHEET NO. 2	