

ADSL Magnetics For Centillium



TM00306

- Operating temperature range: -40° C to +85° C
- Meets IEC 695, 2-2 flammability requirements
- PWB Process Capability: standard printed wiring board assembly techniques, total-immersion cleaning
- Reliability testing: shock, vibration, temperature cycling, temperature - humidity - bias

ELECTRICAL SPECIFICATIONS AT 25° C

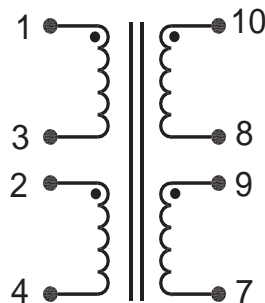
Part Number	Package	Turns Ratio ² ± 2%	Inductance ⁴ μH ±5%	Leakage Inductance ⁵ μH max	DCR Ω max		Direct Capacitance ⁸ pF max	Dielectric Rating Vrms min
		(10-7) ¹ : (1-4)	(1-4) ³	(1-4) ⁵	(1-4) ³	(10-7) ⁷	between (1-4) & (10-7) ¹	between (1-4) & (10-7) ¹
S560-6600-L8	SMD	1 : 1.8	450	5	1.5	0.7	80	1500
S560-6600-P5	SMD	1 : 1	442	3	0.8	0.86	85	1500
0560-6600-A5	THT	1 : 1	442	3	0.8	0.86	85	1500
0560-6600-H2	THT	1 : 1.8	450	5	1.5	0.7	80	1500

1. Connect terminals 3 to 2 & 8 to 9
2. Measured at 20 kHz, 1 Vrms
3. Connect terminals 3 to 2
4. Measured at 10 kHz, 0.1 Vrms

5. Connect terminals 3 to 2, 8 to 9, & 10 to 7
6. Measured at 100 kHz, 0.1 Vrms
7. Connect 8 to 9
8. Measured at 1 kHz, 1 Vrms

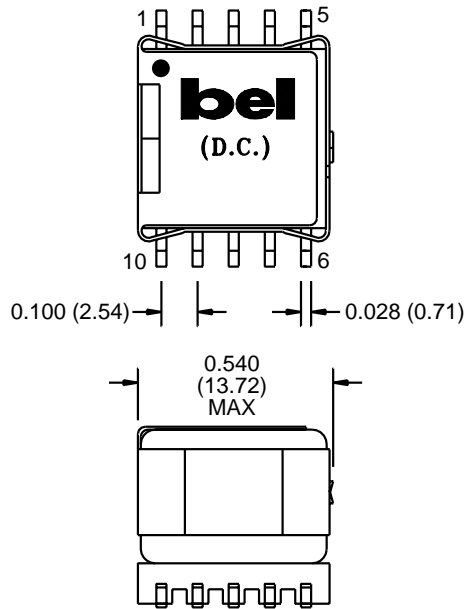
SCHEMATIC

S560-6600-L8
S560-6600-P5
0560-6600-A5
0560-6600-H2

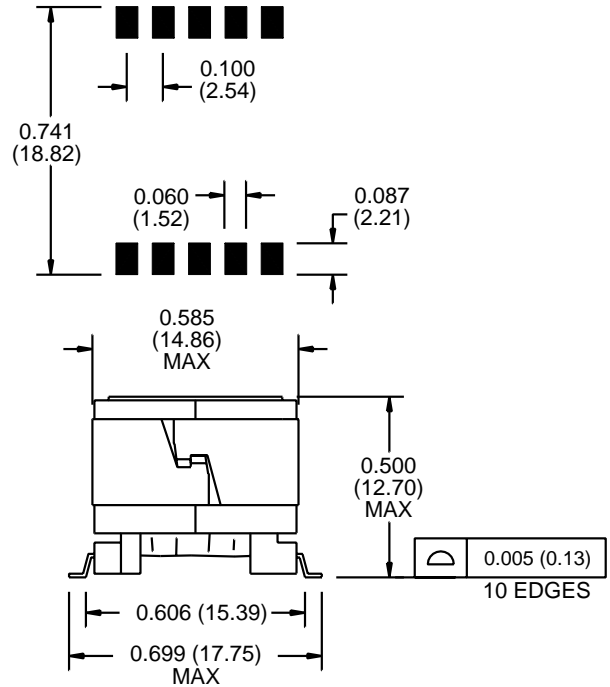


MECHANICAL

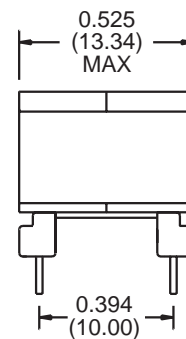
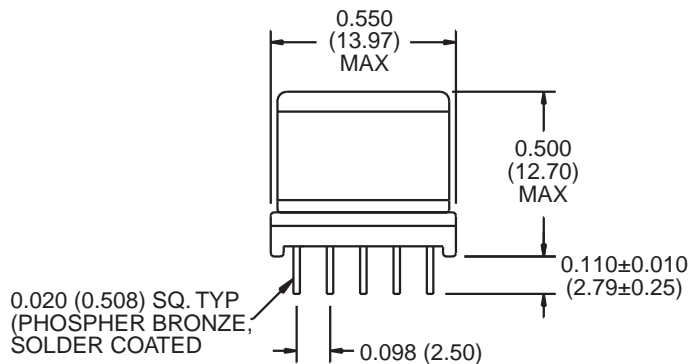
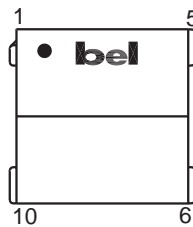
S560-6600-L8
S560-6600-P5



SUGGESTED PCB PAD LAYOUT



0560-6600-A5
0560-6600-H2



CORPORATE

Bel Fuse Inc.
206 Van Vorst Street
Jersey City, NJ 07302
Tel 201-432-0463
Fax 201-432-9542
www.belfuse.com

FAR EAST

Bel Fuse Ltd.
8F / 8 Luk Hop Street
San Po Kong
Kowloon, Hong Kong
Tel 852-2328-5515
Fax 852-2352-3706
www.belfuse.com

EUROPE

Bel Fuse Europe Ltd.
Preston Technology Management Centre
Marsh Lane, Suite G7, Preston
Lancashire, PR1 8UD, U.K.
Tel 44-1772-556601
Fax 44-1772-888366
www.belfuse.com