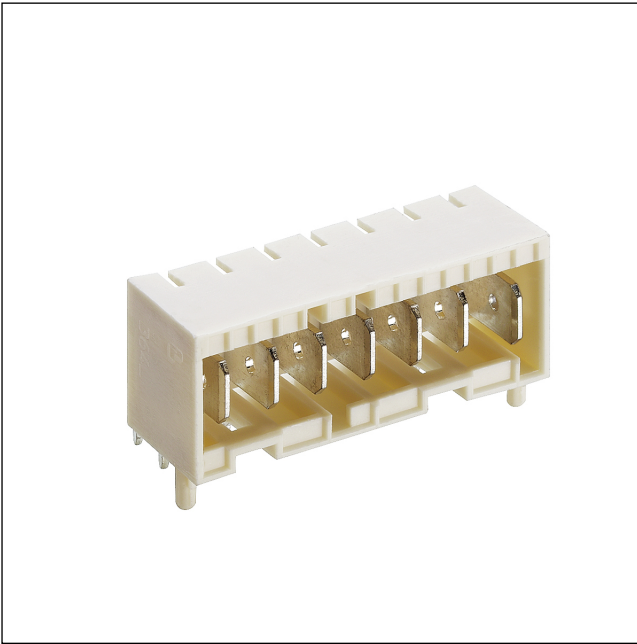


36

364499

RAST 5 connectors, pitch 5.0 mm



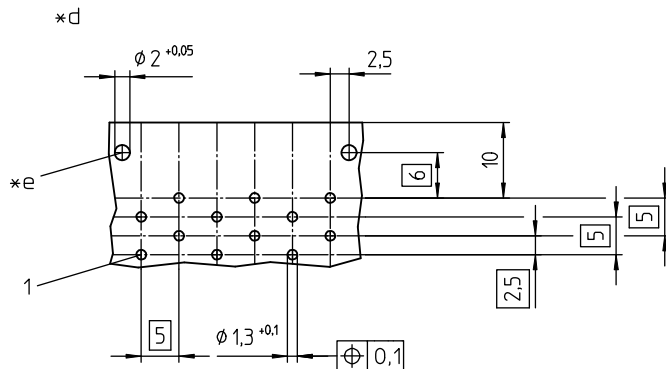
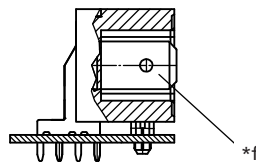
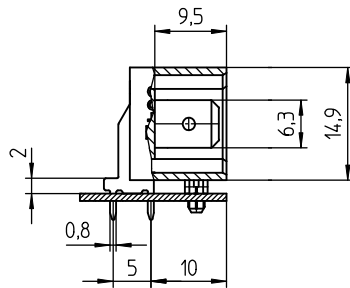
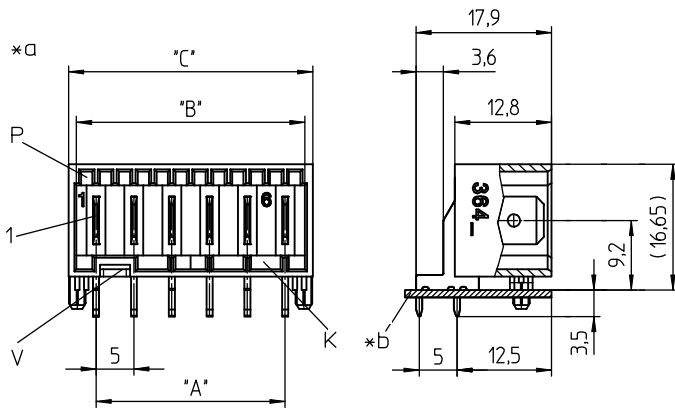
RAST 5 tab header, angular, with lower side lock, higher version, with positioning spigots, with pre-mating protective contacts

State: New

Approvals:



36 364499



Environmental conditions

Temperature range -40 °C/+120 °C

Materials

Insulating body PA GF, V-0 according to UL94¹

Contact tab CuZn, pre-nickel and tin-plated

¹ component glow wire resistant (GWT 750 °C), testing acc. to IEC 60695-2-11, assessment acc. to IEC 60335-1 (flame < 2 s)

Mechanical data

Contact tab 6.3 x 0.8 mm according to DIN 42644

Keying proposals at www.lumberg.com 

Electrical data (at T_{amb} 20 °C)

Rated current 10 A (T_v 70 °C)
Rated voltage 250 V AC
Material group IIIa (IEC)/2 (UL) (CTI ≥ 250)
Creepage distance 4,2 mm
Clearance 4,2 mm
Insulation resistance > 10 GΩ

36

364499

-
- *a K = keying
P = positioning
V = space for lock
 - *b printed circuit board
 - *d printed circuit board layout, solder side view
 - *e bore holes for positioning spigots
 - *f pre-mating protective contact, protruding 1.5 mm, possible at any position

36

364499

Designation	Pole Number	PU (Pieces)	MDQ (Pieces)
364499 02	2	250	1000
364499 03	3	250	1000
364499 04	4	250	1000
364499 05	5	250	1000
364499 06	6	250	1000
364499 07	7	250	1000
364499 08	8	250	1000
364499 09	9	250	1000
364499 10	10	250	1000
364499 11	11	250	1000
364499 12	12	250	1000