

PLEASE CHECK WWW.MOLEX.COM FOR LATEST PART INFORMATION

Part Number: [0495470392](#)
Status: **Active**
Description: 1.78mm (.070") Tab, 8.50mm (.335") Pitch Wire-to-Wire Female Housing TPA™, 3 Circuits, Vertical, Upper Type

Documents:

[Drawing \(PDF\)](#) [RoHS Certificate of Compliance \(PDF\)](#)

General

Product Family	Accessories
Series	49547
Component Type	Retainer
Product Name	TPA™ - Term Pos Assurance

Physical

Circuits (Loaded)	3
Lock to Mating Part	Yes
Number of Rows	1
Packaging Type	Bag
Temperature Range - Operating	-40°C to +120°C

Material Info

Reference - Drawing Numbers

Sales Drawing	SD-49547-001
---------------	--------------

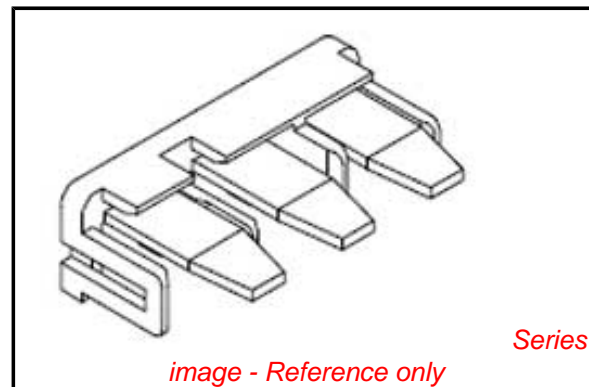


image - Reference only

EU RoHS

**ELV and RoHS
Compliant**
**REACH SVHC
Contains SVHC: No**
**Halogen-Free
Status**

China RoHS



**Need more information on product
environmental compliance?**

Email productcompliance@molex.com
 For a multiple part number RoHS Certificate of Compliance, [click here](#)

Please visit the [Contact Us](#) section for any non-product compliance questions.

Search Parts in this Series

[49547Series](#)

Use With

[35965 Wire-to-Wire Female Housing](#)

DWG. NO.
SD-49547-001

SIMILAR ITEM

PROJECT NO.

B

DO NOT SCALE DRAWING
DIMENSION IN METRIC

8 7 6 5 4 3 2 1

F

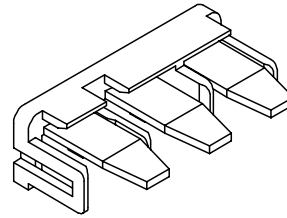
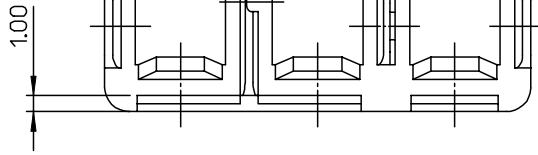
E

D

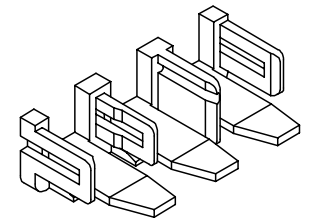
C

B

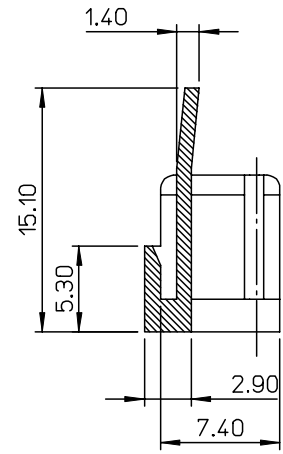
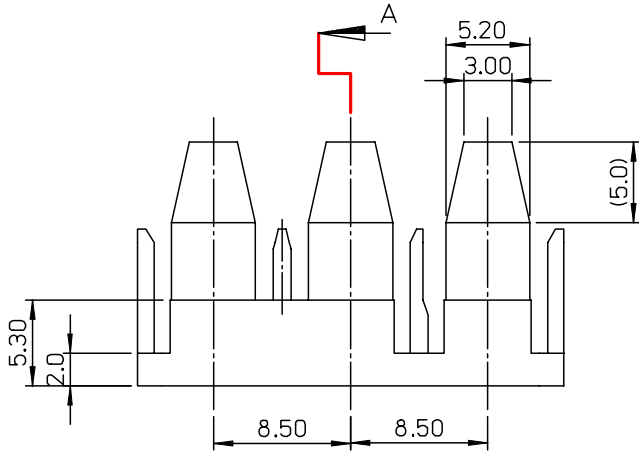
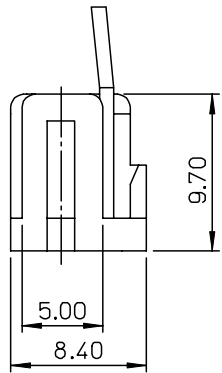
A



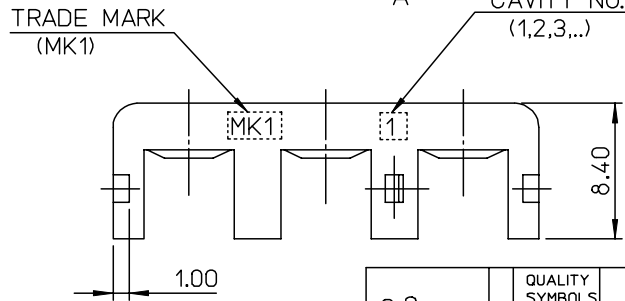
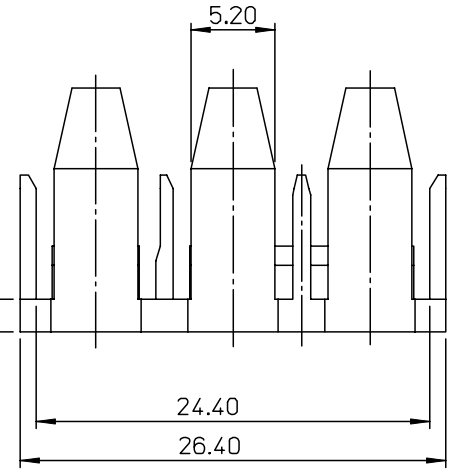
UPPER TYPE



LOWER TYPE



SECTION A-A



TRADE MARK
(MK1)

CAVITY NO.
(1,2,3,...)

NO.	DESCRIPTION	MATERIAL NO.	PART NO.	FINISH
1	UPPER TPA	495470392	49547-0392	RED COLOR
2	LOWER TPA	495480390	49548-0390	NATURAL COLOR

NOTES

- MATERIAL : POLYAMIDE,UL94V-2
- MATED HOUSING : 35965-02**

NEW RELEASED ECN NO:KOR2006-0100 DRWN: J.B.JIN 06/02/11 CHK: W.Y.YANG APPR: SH.CHOI	QUALITY SYMBOLS MAJOR $\nabla = 0$ CRITICAL $\nabla C = 0$	GENERAL TOLERANCES: (UNLESS SPECIFIED)		SCALE 3.5:1	DESIGN UNITS <input checked="" type="checkbox"/> mm <input type="checkbox"/> INCH	THIRD ANGLE PROJECTION	DIMENSIONS: <input type="checkbox"/> mm <input type="checkbox"/> INCH <input checked="" type="checkbox"/> mm ONLY		SHT	REV
		4 PLACES $\pm 0.$	$\pm -$	DRAWN BY & DATE J.B.JIN 05/11/18		TITLE: .070 MULTI W-I-W CONN. COMMON TPA-3P (UPPER,LOWER TYPE)				
		3 PLACES $\pm 0.$	$\pm -$	CHECKED BY & DATE W.Y.YANG 05/11/18		MOLEX INCORPORATED				
		2 PLACES ± 0.20	$\pm -$	APPROVED BY & DATE SH.CHOI 05/11/18		CAD FILENAME S49547AA.MI	MATERIAL NO. SEE TABLE	DRAWING NO. SD-49547-001	SHEET NO. 1 OF 1	
		1 PLACE ± 0.30	$\pm -$	ANGULAR: $\pm 1^\circ$		THIS DRAWING CONTAINS INFORMATION THAT IS PROPRIETARY TO MOLEX INCORPORATED AND SHOULD NOT BE USED WITHOUT WRITTEN PERMISSION.			SIZE B	
DRAFT WHERE APPLICABLE MUST REMAIN WITHIN DIMENSIONS										

8 7 6 5 4 3 2 1 KOREA MX-A3