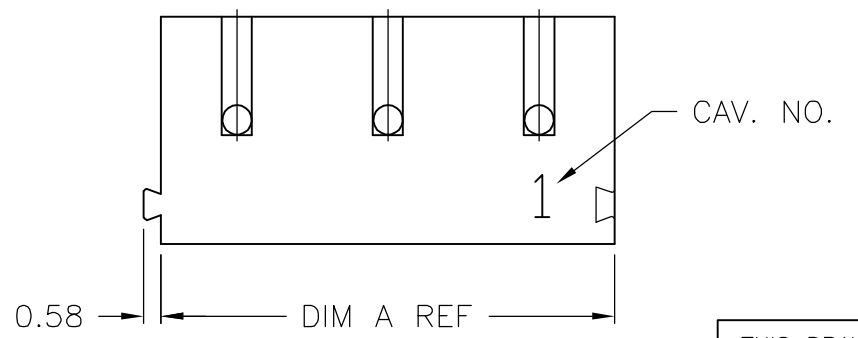
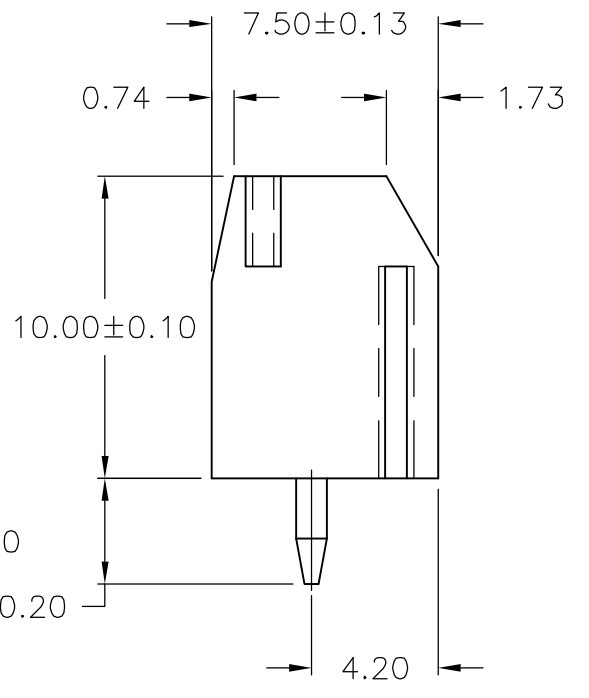
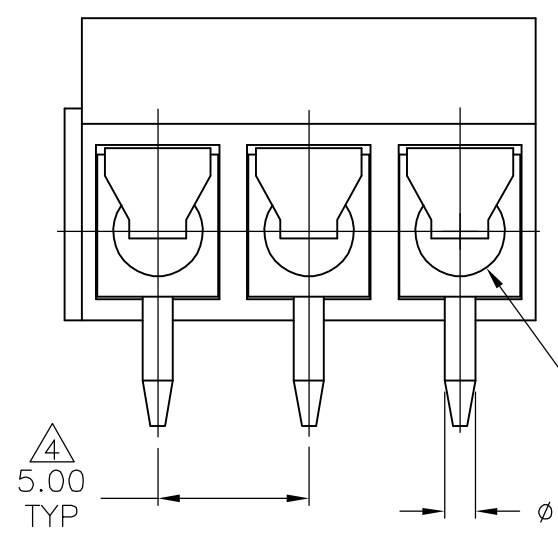
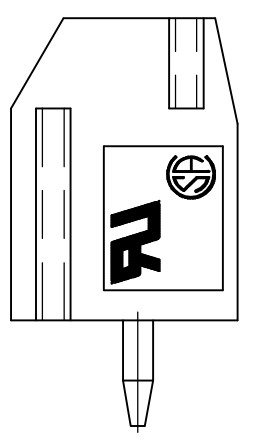
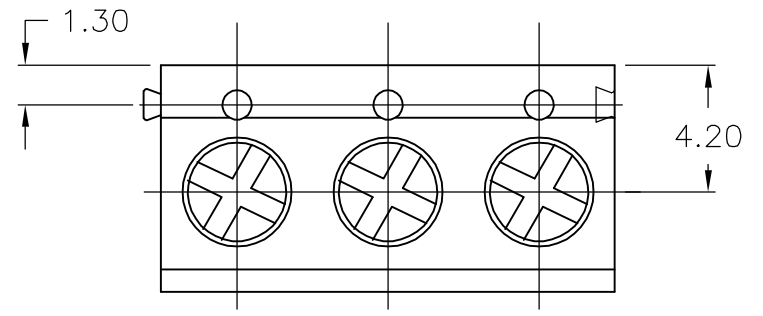


THIS DRAWING IS UNPUBLISHED. RELEASED FOR PUBLICATION
 © COPYRIGHT BY TYCO ELECTRONICS CORPORATION. ALL RIGHTS RESERVED.

LOC	DIST	REVISIONS					
FT	0	P	LTR	DESCRIPTION	DATE	DWN	APVD
			03	REVISED PER ECO-06-14755	6/26/06	SS	CR

1. ALL DIMENSIONS ARE IN MM.
2. RECOMMENDED PC-BOARD-HOLES DIAMETER: $\phi 1.20\text{MM}$ TO $\phi 1.40\text{MM}$.
3. BUCHANAN LOGO TO APPEAR ON HOUSING LOCATION OPTIONAL WHERE SPACE PERMITS.

\triangle NON CUMULATIVE.



1776244-3 AS SHOWN

DIM. A	NO. OF POS.	PART NUMBER
120.00	24	2-1776244-4
115.00	23	2-1776244-3
110.00	22	2-1776244-2
105.00	21	2-1776244-1
100.00	20	2-1776244-0
95.00	19	1-1776244-9
90.00	18	1-1776244-8
85.00	17	1-1776244-7
80.00	16	1-1776244-6
75.00	15	1-1776244-5
70.00	14	1-1776244-4
65.00	13	1-1776244-3
60.00	12	1-1776244-2
55.00	11	1-1776244-1
50.00	10	1-1776244-0
45.00	9	1776244-9
40.00	8	1776244-8
35.00	7	1776244-7
30.00	6	1776244-6
25.00	5	1776244-5
20.00	4	1776244-4
15.00	3	1776244-3
10.00	2	1776244-2

THIS DRAWING IS A CONTROLLED DOCUMENT.		DWN S SCHLEGEL 5/6/05	Tyco Electronics Corporation Harrisburg, Pa 17105-3608			
DIMENSIONS: mm		CHK C RICHARD 5/6/05				
TOLERANCES UNLESS OTHERWISE SPECIFIED:		APVD C RICHARD 5/6/05	NAME			
0 PLC ± - 1 PLC ± 0.3 2 PLC ± 0.25 3 PLC ± - 4 PLC ± - ANGLES ± -		PRODUCT SPEC	TERMINAL BLOCK PCB MOUNT, STRAIGHT SIDE WIRE ENTRY, LOW PROFILE w/3.5mm PINS W/ INTERLOCK 5.00mm PITCH, HIGH TEMP			
MATERIAL -		APPLICATION SPEC	SIZE	CAGE CODE	DRAWING NO	RESTRICTED TO
FINISH -		WEIGHT -	A3	00779	C-1776244	-
CUSTOMER DRAWING			SCALE	SHEET	REV	
			NTS	1 OF 2	03	

THIS DRAWING IS UNPUBLISHED.

RELEASED FOR PUBLICATION

-.-.

© COPYRIGHT - BY TYCO ELECTRONICS CORPORATION. ALL RIGHTS RESERVED.

LOC	DIST	REVISIONS			
P	LTR	DESCRIPTION	DATE	DWN	APVD
FT	0	SEE SHEET 1	-	-	-

1. Application and Features:

- 1-1. Standard sizes are 2 and 3 way-blocks, but every number of contact can be combined, by simply plugging them together and can be ordered as required**
- 1-2. With wire guard for wire protection (for that the screw doesn't press directly on the wire)

2-3. Mechanical:

- 2-3-1. Torque: 4 Kg.cm (Max).
- 2-3-2. Operating temperature: -55°C to +105°C.
- 2-3-3. Solderability: 95% coverage (min).

2. Technical Data:

2-1. Material:

- 2-1-1. HOUSING: NYLON 6.6, UL 94 V-0, (Blue).
- 2-1-2. Metal Housing: Brass(Cu Zn)
Cu,Tin plated.
- 2-1-3. Wire guard: Stainless steel.
- 2-1-4. Screw: Steel galvanized and chromitized, M2.6

2-2. Electrical:

- 2-2-1. Current rating: 10 Amps/way max.
- 2-2-2. Contact resistance: 20mΩ (Max).
- 2-2-3. Insulation resistance: 5000MΩ /1000V.
- 2-2-4. Withstanding Voltage: 1500VAC (1min).
- 2-2-5. Operation Voltage: 300 VAC.
- 2-2-6. Wire Range: 14-22 AWG.

THIS DRAWING IS A CONTROLLED DOCUMENT.		DWN S SCHLEGEL	5/6/05	tyco Tyco Electronics Corporation	
		CHK C RICHARD	5/6/05	Electronics Harrisburg, Pa 17105-3608	
		APVD C RICHARD	5/6/05	NAME	
DIMENSIONS: mm		PRODUCT SPEC		TERMINAL BLOCK PCB MOUNT, STRAIGHT SIDE WIRE ENTRY, LOW PROFILE w/3.5mm PINS W/ INTERLOCK 5.00mm PITCH, HIGH TEMP	
TOLERANCES UNLESS OTHERWISE SPECIFIED:		APPLICATION SPEC		RESTRICTED TO	
0 PLC ± -		WEIGHT		SIZE CAGE CODE DRAWING NO	
1 PLC ± 0.3		-		A3 00779 C-1776244	
2 PLC ± 0.25		-		SCALE NTS SHEET 2 OF 2 REV 03	
3 PLC ± -		-			
4 PLC ± -		-			
ANGLES ± -		-			
MATERIAL		FINISH			
-		-			
		CUSTOMER DRAWING			