

BX-S3000P2 BX-S3000P2A

Fan-Less BOX-PC with Intel® 6th Skylake Platform

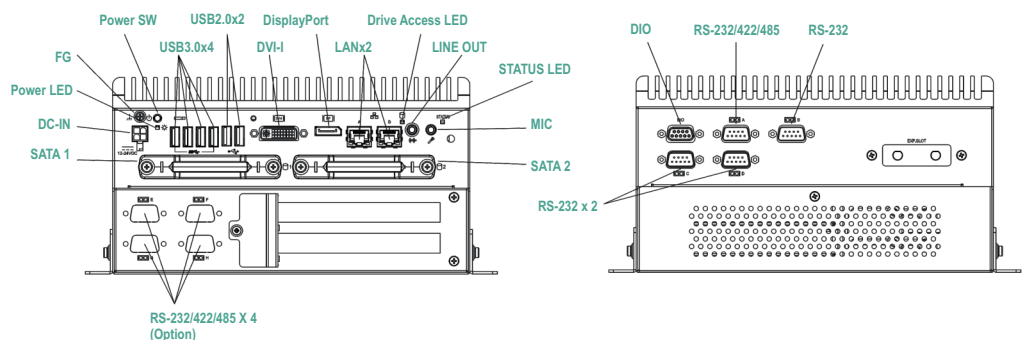


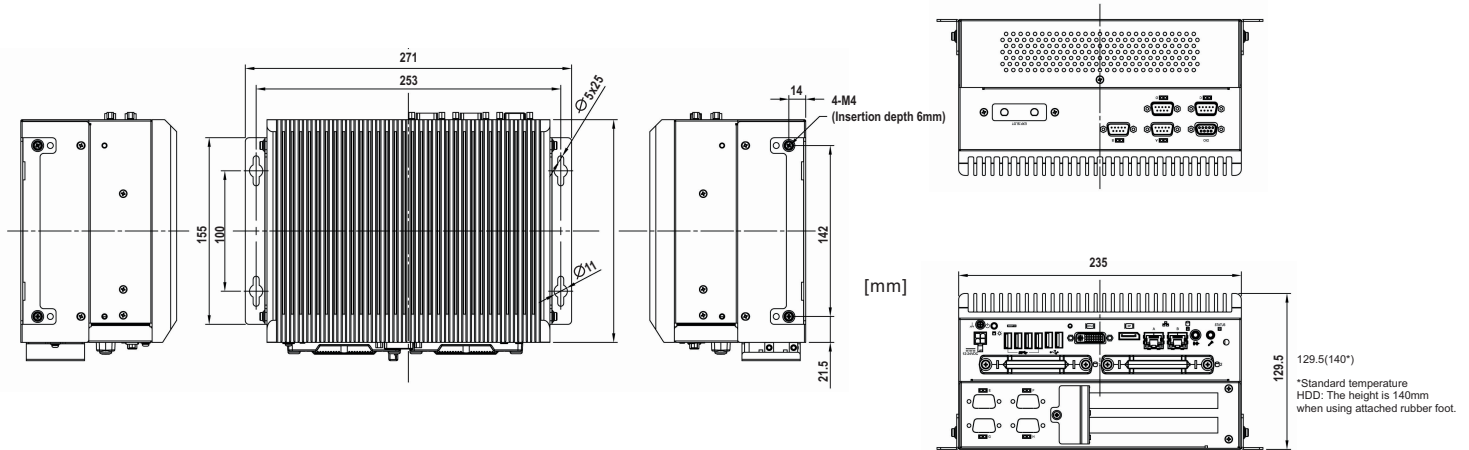
Features

- Passive cooling for greater reliability
- Two 2.5" storage devices (up to 2.5 TB each): RAID 0,1
- Expandable design with mini-PCIe and M.2 expansion card supported
- Support faster DDR memory (up to DDR4 2400)
- Graphics: Microarchitecture Improvements/3D, Gen9
- Two expansion slots (PCIe x8 or PCI)
- Media Engine Improvements: MFX Decode / image RAW

Optional Configuration

- 2x 2.5" Drive Bay
- 3x RS232, 1x RS232/422/485, 1x GPIO(DB9)
- 1x M.2 Key M Support(PCIe x4 / SATA / SMBus)
- 1x Mini-PCIe Card Slot
- 2x Expansion slot (PCIe x8, BX-S3000P2 Model)
- 2x Expansion slot (PCI, BX-S3000P2A Model)
- AC adapter 24V/120W
- OS Win7 / Win8.1 / Win10





Specifications

System	CPU	6th Generation Skylake Intel® Core™ i7-6700TE Processor 6th Generation Skylake Intel® Core™ i5-6500TE Processor 6th Generation Skylake Intel® Celeron® G3900TE Processor	
	CHIPSET	Intel® Q170 Controller Hub	
	SYSTEM MEMORY	DDR4 2133/2400, 260-pin SO-DIMM x 2, Max. 32 GB (Non-ECC)	
	GRAPHICS	Intel® HD Graphics	
	DISPLAY INTERFACE	DP, DVI-I (DVI-D + VGA), LVDS (Internal)	
	STORAGE SLOT	2.5" HDD/SSD x 2 (Removeable Bay) M.2 key M 2242 x 1	
	ETHERNET	Intel® I219-LM(PHY) & Intel® I210-AT(Wake On LAN support)	
	AUDIO CODEC	Realtek ALC892-CG	
	AUDIO	Mic-in, Line-out	
	SUPER I/O	NUVOTON NCT6106D	
Power Requirement	EXPANSION SLOT	Mini-PCI/e x 1 M.2 key M 2242(Reserve) x 1 Maximum Card Size: 111.15 mm (H) x 167.65mm (L) (Without the I/O Bracket) PCIe x8 2 Slot (BX-S3000P2 Model) PCI 2 Slot (BX-S3000P2A Model)	
	INTERFACE	Mic-in x 1 and Line-out(front panel) x 1 USB 3.0 x 4 (front panel) USB 2.0 x 2 (front panel) USB 2.0 x 2 (internal) 4 pin(Reserve) 4 PIN power jack x 1 Software-programmable RS-232 / 422 / 485 ports x 1 (Rear panel) RS-232 male ports x3 (Rear panel) 6 bit programmable + control power button DIO Port TPM 2.0, RAID(0,1), iAMT(11.0) Power Button(Front Panel) x 1	
	POWER INPUT	12~24V(±10%,DC10.8-26.4V) Wide Range DC Input w/ Terminal Block Connectivity	
	POWER ADAPTER	AC to DC, DC 24V / 5A, 120W adaptor w/ Terminal Block Connectivity	
	Mechanical	THERMAL DESIGN	Fanless
		MOUNTING	Wall mount / Desktop
		DIMENSIONS (W X D X H)	235(W) x 185(D) x 129.5(H) mm (No protrusions)
		WEIGHT	4.6 kg
		MATERIAL	Top cover: Aluminum Alloy , Bezel and chassis: Steel
	Environmental	OPERATING TEMPERATURE	0°C~50°C with Air Flow: 0.5 m/s (w/ Standard Temp. SSD) (w/ Extended Temp. M.2 / mPCIE) 0°C~40°C with Air Flow: 0.6 m/s (w/ Standard Temp. HDD) (w/ Extended Temp. M.2 / mPCIE)
EXPANSION SLOT		BX-S3000P2 Model:	
POWER CONSUMPTION		Standard Temp. SSD / Extended Temp. M.2 / mPCIE Total 25W Standard Temp. HDD / Extended Temp. M.2 / mPCIE Total 10W BX-S3000P2A Model: Standard Temp. Storage / Extended Temp. M.2 / mPCIE Total 25W	
STORAGE TEMPERATURE		-10~60°C	
OPERATING HUMIDITY		10%~90% (Non-condensing)	
VIBRATION RESISTANCE		JIS C 60068-2-6:2010 HDD (Operating): 10 ~ 50Hz/4.9m/s ² (0.5G); 1oct/min, 1 cycle(10-50-10 Hz) ; 5 cycles X,Y,Z per axis(25 mins/axis) SSD (Operating): 10 ~ 57 Hz / 0.15 mm (0-p); 57 ~ 150 Hz / 19.6 m/s ² (2G); 1 oct/min, 1 cycle(10-150-10 Hz) ; 5 cycles X,Y,Z per axis(40 mins/axis)	
SHOCK RESISTANCE		JIS-60068-2-27 98m/s ² (10G) / 11ms / half sine; 3 times X,Y,Z per axis	
CERTIFICATION		CE(including LVD) & FCC / RoHS 2.0	
OS	OS SUPPORT	Windows® 10 IOT Enterprise LTSC 2016 (64-bit), Windows® 8.1 (64-bit), Windows® 7 (32/64-bit) English	

Ordering Guide

● BX-S3000P2-DC1800000	Base model with Intel® Celeron® G3900TE, DDR4 8GB Memory, 2x PCIe(x8) Slot
● BX-S3000P2-DC4800000	Base model with Intel® Core™ i5-6500TE, DDR4 8GB Memory, 2x PCIe(x8) Slot
● BX-S3000P2-DC5800000	Base model with Intel® Core™ i7-6700TE, DDR4 8GB Memory, 2x PCIe(x8) Slot
● BX-S3000P2A-DC1800000	Base model with Intel® Celeron® G3900TE, DDR4 8GB Memory, 2x PCI Slot
● BX-S3000P2A-DC4800000	Base model with Intel® Core™ i5-6500TE, DDR4 8GB Memory, 2x PCI Slot
● BX-S3000P2A-DC5800000	Base model with Intel® Core™ i7-6700TE, DDR4 8GB Memory, 2x PCI Slot