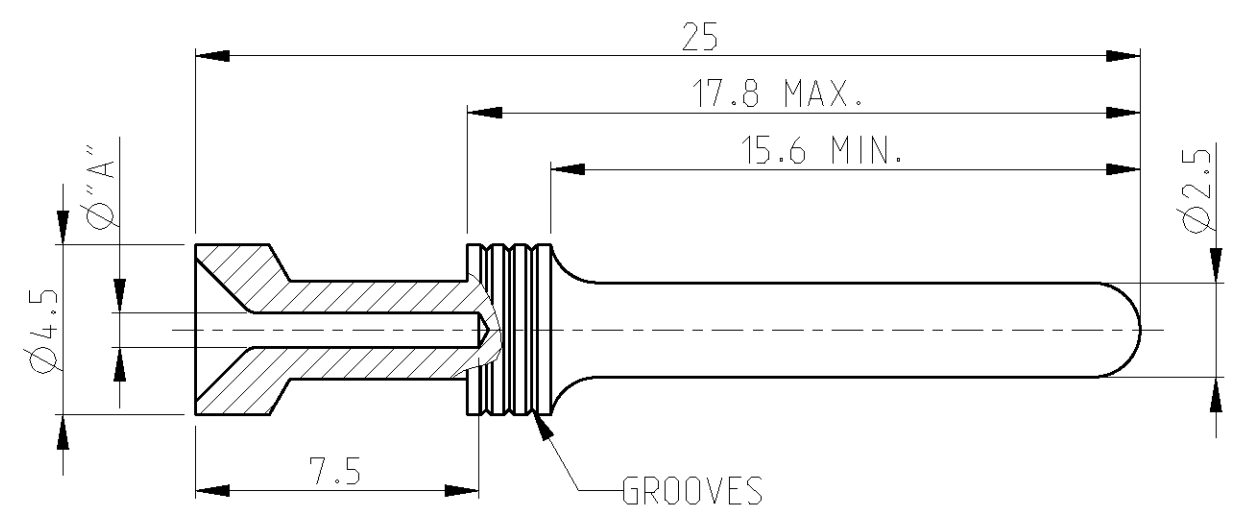


THIS DRAWING IS UNPUBLISHED. RELEASED FOR PUBLICATION 2006
 © COPYRIGHT BY ALL RIGHTS RESERVED.

LOC	DIST	REVISIONS					
A1	-	P	LTR	DESCRIPTION	DATE	DWN	APVD
		J4		REVISED PER ECO-11-005294	27APR11	RK	HMR



Notes

- 1 MATERIAL: BRASS
- 2 FINISH SILVER PLATING: 2 µm Ag MIN. OVER Cu
- 3 FINISH GOLD PLATING: 0.75 µm Au MIN. OVER Ni
- 4 FINISH TIN PLATING: 0.6 µm Sn MIN. OVER Cu
- 5 NO VENTILATION HOLE REQUIRED AT CROSS-SECTION >4.0 MM²
- 6 WEIGHT: 1.35 g. PER PIECE (APPROX.)
- 7 PACKAGING: 50 PIECES IN POLYBAG
- 8 PACKAGING: 500 PIECES IN POLYBAG & CARTON
- 9 PACKAGING: 5000 PIECES IN POLYBAG & CARTON
- 10 PACKAGING: 20000 PIECES IN POLYBAGS & CARTONS
- 11 SUITABLE SOCKET CONTACT: CUSTOMER DRAWING 1105101
- 12 SUITABLE INSERTS: SERIES HA, HE, HVE, HVS, CUSTOMER DRAWING
- 13 SUITABLE CRIMP TOOL: PN 1-1105851-8
- 14 SUITABLE INSERTION TOOL: PN 0-1102855-6
- 15 SUITABLE EXTRACTION TOOL: PN 0-1102855-7
- 16 STANDARDS: DIN EN 61984, DIN EN 60664-1

17 OBSOLETE

HE/HA-C-Sti.Sn 4.0mm ²	TIN 4	4.0	2.8	-	-	5-0	-	5-3
HE/HA-C-Sti.Sn 2.5mm ²		2.5	2.2	3	-	4-0	-	4-3
HE/HA-C-Sti.Sn 1.5mm ²		1.5	1.7	2	-	3-0	-	3-3
HE/HA-C-Sti.Au 4.0mm ²	GOLD 3	4.0	2.8	-	5-2	5-9	-	-
HE/HA-C-Sti.Au 2.5mm ²		2.5	2.2	3	4-2	4-9	-	-
HE/HA-C-Sti.Au 1.5mm ²		1.5	1.7	2	3-2	3-9	-	-
HE/HA-C-Sti.Au 0.75-1.0mm ²		0.75-1.0	1.4	1	2-2	2-9	-	-
HE/HA-C-Sti.Au 0.5mm ²	0.5	1.1	-	1-2	1-9	-	-	
HE/HA-C-Sti.Au 0.14-0.37mm ²	0.14-0.37	0.9	3	6-2	6-9	-	-	
HE/HA-C-Sti.Ag 4.0mm ²	SILVER 2	4.0	2.8	-	5-1	5-8	-	-
HE/HA-C-Sti.Ag 2.5mm ²		2.5	2.2	3	4-1	4-8	7-1	-
HE/HA-C-Sti.Ag 1.5mm ²		1.5	1.7	2	3-1	3-8	17	-
HE/HA-C-Sti.Ag 0.75-1.0mm ²		0.75-1.0	1.4	1	2-1	2-8	-	-
HE/HA-C-Sti.Ag 0.5mm ²		0.5	1.1	-	1-1	1-8	-	-
HE/HA-C-Sti.Ag 0.14-0.37mm ²	0.14-0.37	0.9	3	6-1	6-8	-	-	
		[MM ²]	"A"	NO.OF GROOVES	P.U.=50	P.U.=500	P.U.=5000	P.U.=20000
ORDERING TEXT	PLATING	CROSS SECTION	DIMS	MARKINGS	BAG	BOX	BOX	BOX

PARTS LIST

DWN H.BRAUN 21Apr2010		TE TE Connectivity	
CHK -			
APVD T.SCHNURPFIL 29AUG2007		NAME	
PRODUCT SPEC 108-74004		PIN CONTACT	
APPLICATION SPEC 114-74003		SERIES HA, HE, HVE	
WEIGHT -		SIZE A3	CAGE CODE 00779
MATERIAL 1		DRAWING NO C=1105100	RESTRICTED TO -
FINISH 2 3 4		SCALE 5:1	SHEET 1 OF 1
DIMENSIONS: mm		REV J4	
TOLERANCES UNLESS OTHERWISE SPECIFIED:		CUSTOMER DRAWING	
0 PLC ±			
1 PLC ±			
2 PLC ±			
3 PLC ±			
4 PLC ±			
ANGLES ±0.5°			