

PLEASE CHECK WWW.MOLEX.COM FOR LATEST PART INFORMATION

Part Number: **0559320230**
Status: **Active**
Overview: microclasp
Description: 2.00mm (.079") Pitch MicroClasp™ Wire-to-Board Header, Single Row, Vertical, 2 Circuits, without PCB Locator

Documents:

[3D Model](#) [Product Specification PS-51382-004 \(PDF\)](#)
[Drawing \(PDF\)](#) [RoHS Certificate of Compliance \(PDF\)](#)

General

Product Family	PCB Headers
Series	55932
Application	Wire-to-Board
Overview	microclasp
Product Name	MicroClasp™

Physical

Breakaway	No
Circuits (Loaded)	2
Circuits (maximum)	2
Color - Resin	Natural
Durability (mating cycles max)	30
First Mate / Last Break	No
Glow-Wire Compliant	No
Guide to Mating Part	No
Keying to Mating Part	None
Lock to Mating Part	Yes
Material - Plating Mating	Tin
Material - Plating Termination	Tin
Material - Resin	Polyester
Number of Rows	1
Orientation	Vertical
PC Tail Length (in)	0.126 In
PC Tail Length (mm)	3.20 mm
PCB Locator	No
PCB Retention	Yes
PCB Thickness Recommended (in)	0.062 In
PCB Thickness Recommended (mm)	1.60 mm
Packaging Type	Tray
Pitch - Mating Interface (in)	0.079 In
Pitch - Mating Interface (mm)	2.00 mm
Shrouded	Fully
Stackable	No
Surface Mount Compatible (SMC)	No
Temperature Range - Operating	-25°C to +85°C
Termination Interface: Style	Through Hole

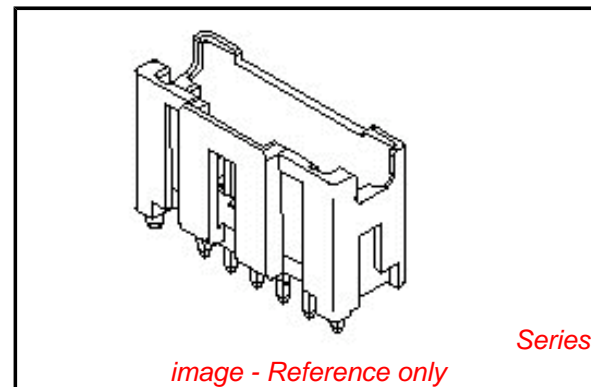
Electrical

Current - Maximum per Contact	3A
Voltage - Maximum	250V

Material Info

Reference - Drawing Numbers

Packaging Specification	SPK-55932-001
-------------------------	---------------



EU RoHS

ELV and RoHS Compliant
REACH SVHC Contains SVHC: No
Halogen-Free Status

China RoHS



Not Reviewed

Need more information on product environmental compliance?

Email productcompliance@molex.com
 For a multiple part number RoHS Certificate of Compliance, [click here](#)

Please visit the [Contact Us](#) section for any non-product compliance questions.

Search Parts in this Series

[55932Series](#)

Mates With

[51382 MicroClasp™ Wire-to-Board Receptacle Housing](#)

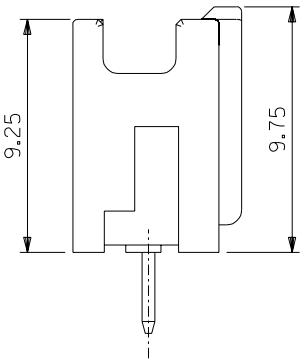
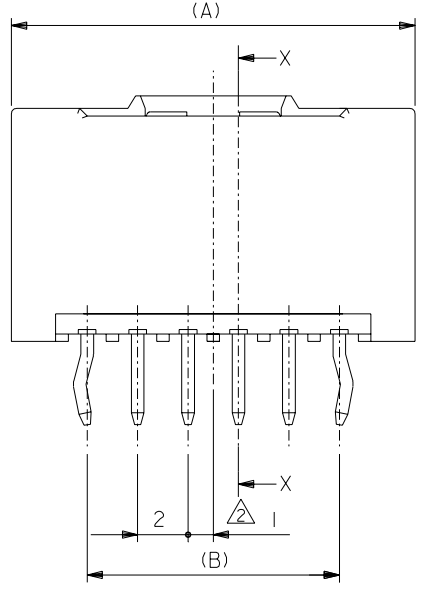
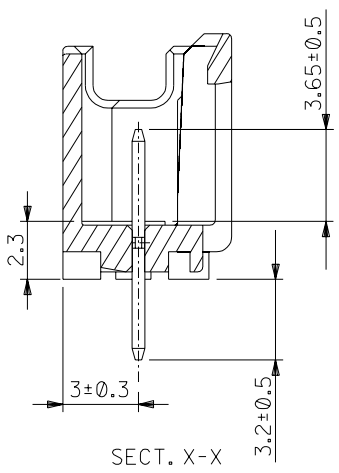
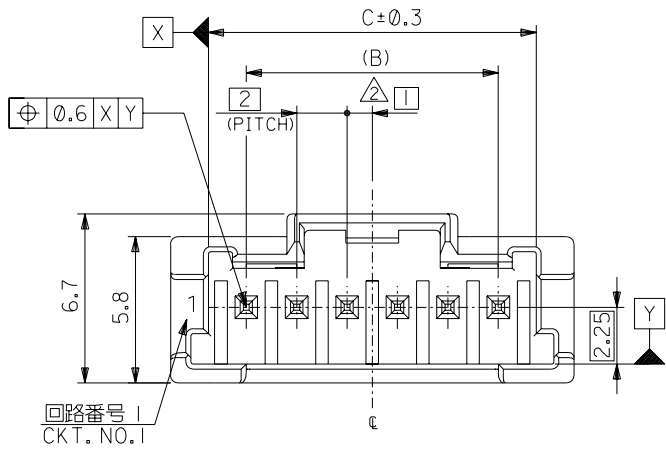
Product Specification

Sales Drawing

PS-51382-004, RPS-51382-006, RPS-51382-007,
RPS-51382-008, RPS-51382-009, RPS-51382-010,
RPS-51382-012, RPS-51382-013, RPS-51382-014
SD-55932-006, SD-55932-007

This document was generated on 05/25/2010

PLEASE CHECK WWW.MOLEX.COM FOR LATEST PART INFORMATION



NOTE

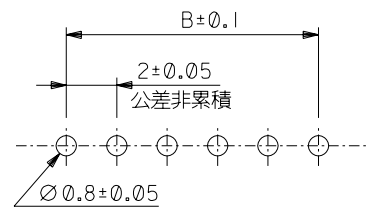
1. 嵌合相手: 51382-****
2. 偶数極 (列) に適用。
3. キンフは両外側の位置に付加。

製品番号 MATERIAL NO.
55932-****

極数 CIRCUIT SIZE

色 COLOR

30	自然色 (白) NATURAL (WHITE)
31	黒 BLACK
32	赤 RED
33	黄 YELLOW
34	青 BLUE
35	桃 PINK
36	緑 GREEN
37	茶 BROWN
38	橙 ORANGE
39	紫 VIOLET
51	灰 GRAY
53	蛍光黄 FLUORESCENT YELLOW
54	水 PALE BLUE
55	蛍光桃 FLUORESCENT PINK
56	黄緑 YELLOWISH GREEN
58	蛍光橙 FLUORESCENT ORANGE



推奨基板寸法
(t = 1.6)

31	28	34	55932-15**	15
29	26	32	55932-14**	14
27	24	30	55932-13**	13
25	22	28	55932-12**	12
23	20	26	55932-11**	11
21	18	24	55932-10**	10
19	16	22	55932-09**	9
17	14	20	55932-08**	8
15	12	18	55932-07**	7
13	10	16	55932-06**	6
11	8	14	55932-05**	5
9	6	12	55932-04**	4
7	4	10	55932-03**	3
5	2	8	55932-02**	2
C	B	A	△ MATERIAL NO.	CKT.

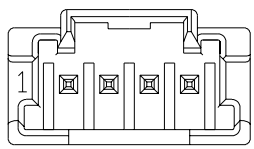
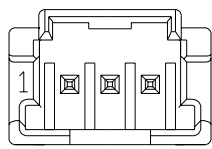
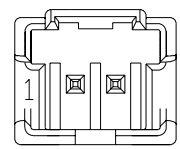
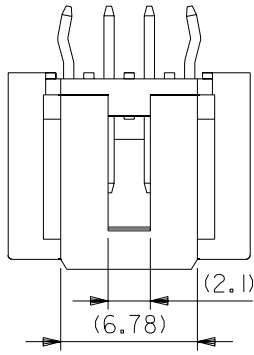
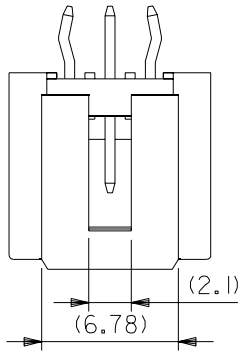
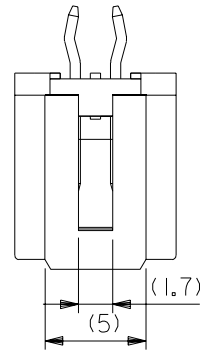
DO NOT SCALE DRAWING

64 NO. DRWN: CH'K: APPR:	63 NO. DRWN: CH'K: APPR:	REVISED '04/05/31 62 NO. J2004-4514 DRWN: M. ERIGUCHI CH'K: K. ASAKAWA APPR: S. ICHIKAWA	REVISED '03/06/12 61 NO. J2003-3127 DRWN: N. ITO CH'K: K. ASAKAWA APPR: T. YAMAGUCHI	REVISED '03/04/04 60 NO. J2003-2421 DRWN: N. ITO CH'K: K. ASAKAWA APPR: T. YAMAGUCHI
MATERIAL 材料 ビン: 黄銅、ニッケル下地錫メッキ ハウジング: PBT				
FINISH 仕上り				
WIRE RANGE 適用線径範囲				
INS. RANGE 被覆外径				

GENERAL TOLERANCES: (UNLESS SPECIFIED) 一般公差	SCALE	DESIGN UNITS	PROJECTION	DIMENSIONS:	SHT	REV
10 UNDER 未満 ±0.2	1:1	<input checked="" type="checkbox"/> mm <input type="checkbox"/> INCH	<input checked="" type="checkbox"/> 1st ANGLE <input type="checkbox"/> THIRD ANGLE	<input type="checkbox"/> mm <input type="checkbox"/> INCH		
10 OVER 以上 30 UNDER 未満 ±0.25						
30 OVER 以上 ±0.3						
ANGLE 角度 ±3°						

MODEL NO.: 55932-****	TITLE: 2.0 W/B SINGLE CONN. PLUG HOUSING ASS'Y ST
DRAWN BY & DATE T.NIITSU '02/2/8	CHECKED BY & DATE K.ASAKAWA '03/6/12
APPROVED BY & DATE T.YAMAGUCHI '03/6/12	
CAD FILENAME SD-55932-006.S01	MATERIAL NO. 55932-****
	DRAWING NO. SD-55932-006
	SHEET NO. 1 of 2

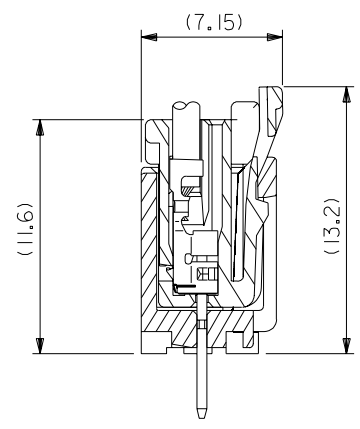
MOLEX MOLEX INCORPORATED	
THIS DRAWING CONTAINS INFORMATION THAT IS PROPRIETARY TO MOLEX INCORPORATED AND SHOULD NOT BE USED WITHOUT WRITTEN PERMISSION.	
SIZE B	



2 CIRCUIT

3 CIRCUIT

4 CIRCUIT



嵌合断面図

DO NOT SCALE DRAWING

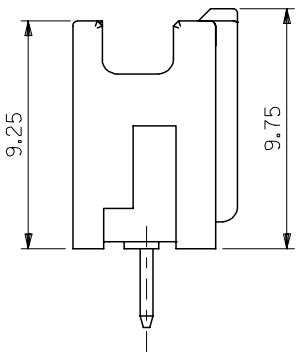
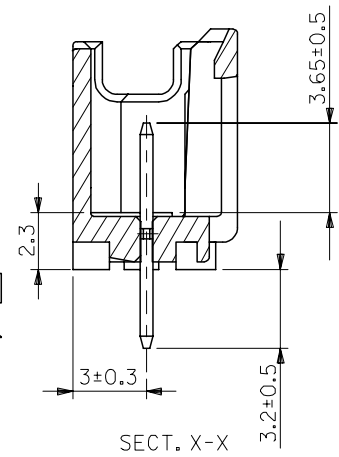
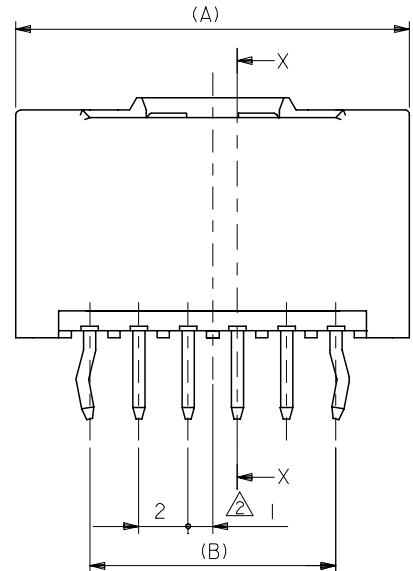
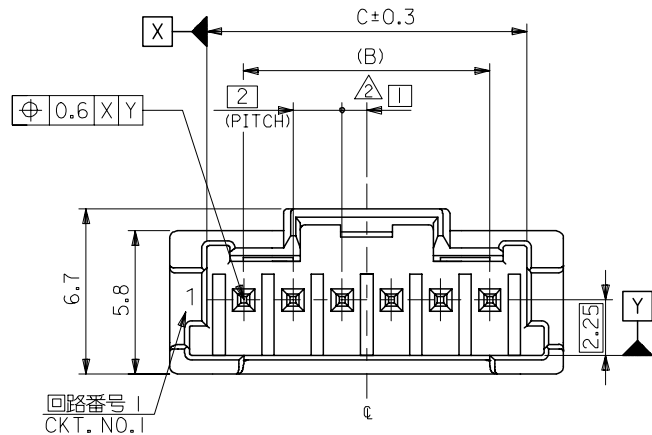
E64NO. DRWN: CH'K: APPR:	E63NO. DRWN: CH'K: APPR:	REVISED '04/05/31 E62NO. J2004-4514 DRWN: M.ERIGUCHI CH'K: K.ASAKAWA APPR: S.ICHIKAWA	REVISED '03/06/12 E61NO. J2003-3127 DRWN: N.IITO CH'K: K.ASAKAWA APPR: T.YAMAGUCHI	REVISED '03/04/04 E60NO. J2003-2421 DRWN: N.IITO CH'K: K.ASAKAWA APPR: T.YAMAGUCHI
SEE SHEET 1 OF 2				
FINISH 仕上り				
WIRE RANGE 適用導線範囲				
INS. RANGE 被覆外径				

MATERIAL 材料	SEE SHEET 1 OF 2
FINISH 仕上り	SEE SHEET 1 OF 2
WIRE RANGE 適用導線範囲	
INS. RANGE 被覆外径	

GENERAL TOLERANCES: (UNLESS SPECIFIED) 一般公差	
10 UNDER 未満	±0.2
10 OVER 以上	±0.25
30 UNDER 未満	±0.25
30 OVER 以上	±0.3
ANGLE 角度	±3°

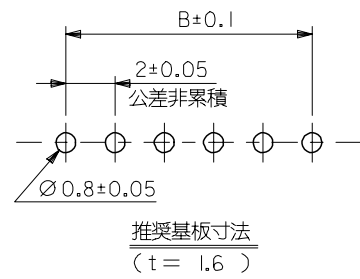
SCALE	DESIGN UNITS <input checked="" type="checkbox"/> mm <input type="checkbox"/> INCH
DRAWN BY & DATE T.NIITSU '02/2/8	
CHECKED BY & DATE K.ASAKAWA '03/6/12	
APPROVED BY & DATE T.YAMAGUCHI '03/6/12	
CAD FILENAME SD-55932-006.S02	

MODEL NO.: 55932-****	DIMENSIONS: <input type="checkbox"/> mm <input type="checkbox"/> INCH <input checked="" type="checkbox"/> mm ONLY	SHT	REV
PROJECTION <input type="checkbox"/> 1st ANGLE <input checked="" type="checkbox"/> THIRD ANGLE		REVISE ON CAD ONLY	
TITLE: 2.0 W/B SINGLE CONN. PLUG HOUSING ASS'Y ST -LEAD FREE-			
MOLEX INCORPORATED			
MATERIAL NO. 55932-****	DRAWING NO. SD-55932-006	SHEET NO. 2 of 2	
THIS DRAWING CONTAINS INFORMATION THAT IS PROPRIETARY TO MOLEX INCORPORATED AND SHOULD NOT BE USED WITHOUT WRITTEN PERMISSION.			SIZE B



NOTE

- 1. 嵌合相手：51382-****
- △ 偶数極 (列) に適用。
- 3. キングは両外側の位置に付加。
- 4. ピン：黄銅、ニッケル下地錫メッキ
ハウジング：PBT
- △ 適合リテーナー：500638シリーズ
APPLICABLE RETAINER：500638 SERIES.
- △ 製品番号 MATERIAL NO.



55932-****

極数 CIRCUIT SIZE

色 COLOR

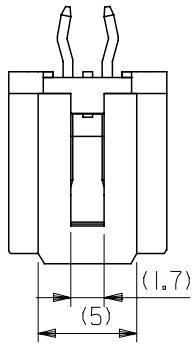
30	自然色 (白) NATURAL (WHITE)
31	黒 BLACK
32	赤 RED
33	黄 YELLOW
34	青 BLUE
35	桃 PINK
36	緑 GREEN
37	茶 BROWN
38	橙 ORANGE
39	紫 VIOLET
51	灰 GRAY
53	蛍光黄 FLUORESCENT YELLOW
54	水 PALE BLUE
55	蛍光桃 FLUORESCENT PINK
56	黄緑 YELLOWISH GREEN
58	蛍光橙 FLUORESCENT ORANGE

31	28	34	55932-15**	15
29	26	32	55932-14**	14
27	24	30	55932-13**	13
25	22	28	55932-12**	12
23	20	26	55932-11**	11
21	18	24	55932-10**	10
19	16	22	55932-09**	9
17	14	20	55932-08**	8
15	12	18	55932-07**	7
13	10	16	55932-06**	6
11	8	14	55932-05**	5
9	6	12	55932-04**	4
7	4	10	55932-03**	3
5	2	8	55932-02**	2

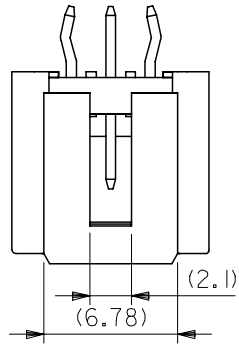
MODEL NO.: 55932-****

RELEASED EC NO: J2006-1522 DRWN: MAEDA 2005/11/08 CHKD: NUKITA 2005/11/08 APPR: NUKITA 2005/11/09	GENERAL TOLERANCES (UNLESS SPECIFIED)		DIMENSION STYLE MM ONLY		SCALE ---	DESIGN UNITS METRIC	THIRD ANGLE PROJECTION		
	10 UNDER	±0.2	DRAWN BY YMAEDA		DATE 2005/06/13	TITLE 2.0 W/B CONN.PLUG HOUSING ASS'Y WO BOSS -LEAD FREE- MOLEX INCORPORATED			
	10 OVER 30 UNDER	±0.25	CHECKED BY MTANAKA		DATE 2005/06/13				
	30 OVER	±0.3	APPROVED BY NUKITA		DATE 2005/06/13	DOCUMENT NO. SD-55932-007			
	ANGULAR	±3 °	MATERIAL NO.		SEE CHART		SHEET NO. 1 OF 2		
0	DRAFT WHERE APPLICABLE MUST REMAIN WITHIN DIMENSIONS		SIZE A3		THIS DRAWING CONTAINS INFORMATION THAT IS PROPRIETARY TO MOLEX INCORPORATED AND SHOULD NOT BE USED WITHOUT WRITTEN PERMISSION				

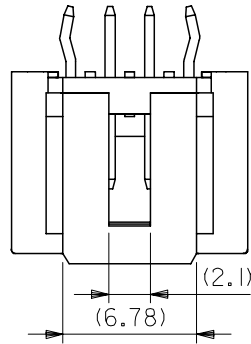
10 9 8 7 6 5 4 3 2 1



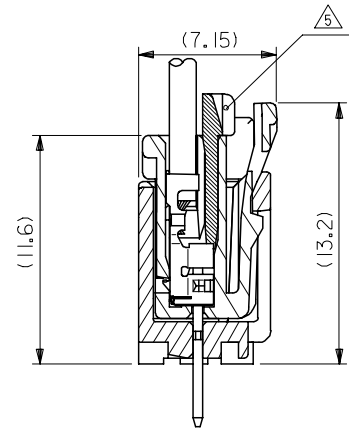
(5) (1.7)



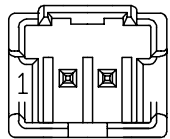
(6.78) (2.1)



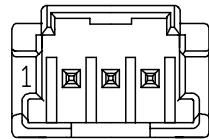
(6.78) (2.1)



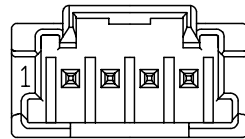
(7.15) (11.6) (13.2)



2 CIRCUIT



3 CIRCUIT



4 CIRCUIT

嵌合断面図

MODEL NO. : 55932-****

RELEASED EC NO: J2006-1522 DRWN: MAEDA 2005/11/08 CHK: NUKITA 2005/11/08 APPR: NUKITA 2005/11/09	GENERAL TOLERANCES (UNLESS SPECIFIED)		DIMENSION STYLE MM ONLY	SCALE ---	DESIGN UNITS METRIC	THIRD ANGLE PROJECTION
	10 UNDER	± 0.2	DRAWN BY YMAEDA	DATE 2005/06/13	TITLE 2.0 W/B CONN.PLUG HOUSING ASS'Y WO BOSS -LEAD FREE-	
	10 ^{OVER} 30 UNDER	± 0.25	CHECKED BY MTANAKA	DATE 2005/06/13	MOLEX INCORPORATED	
	30 ^{OVER}	± 0.3	APPROVED BY NUKITA	DATE 2005/06/13		
	ANGULAR ±3 °		MATERIAL NO.		DOCUMENT NO.	SHEET NO.
DRAFT WHERE APPLICABLE MUST REMAIN WITHIN DIMENSIONS		SEE CHART		SD-55932-007	2 OF 2	