



# STANCOR®

## “Side Winder” SW / DSW Series Split Bobbin-Printed Circuit Transformers Single & Dual Primaries

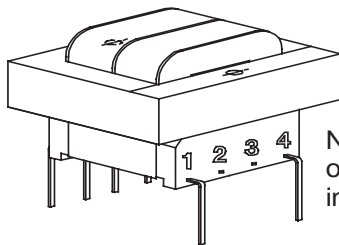
⚠ WARNING	
	<p><b>ELECTROCUTION HAZARD</b></p> <p>Disconnect electric power to system at main fuse or circuit breaker box before servicing. Failure to do so could result in death or serious injury.</p>
	<p><b>FIRE HAZARD</b></p> <p>Do not exceed transformer ratings. Higher voltage may damage control and could cause personal injury or property damage.</p>

### SPECIFICATIONS:

INPUT:	SW: 115VAC, 50/60Hz DSW: 115/230VAC, 50/60Hz
OUTPUT:	See table on reverse side
INSULATION RATING:	Class B (130°C)
TEMPERATURE RISE:	65°C Max. rise over 40°C Max. ambient
DIELECTRIC STRENGTH:	2500 VRMS
AGENCY STANDARDS:	UL Recognized to UL-506 CSA Certified to C22.2 #66 *See note on reverse side
FILE NOs.:	UL File #E68100 CSA File #LR67965

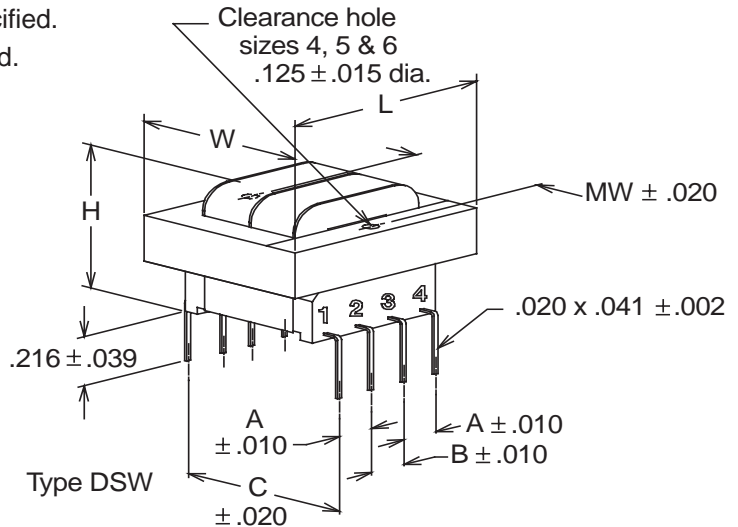
### NOTES:

1. All dimensions in inches, unless otherwise specified.
2. All dimensions  $\pm .062$ , unless otherwise specified.



Type SW

Note: Pins 2 & 3 omitted on single input version

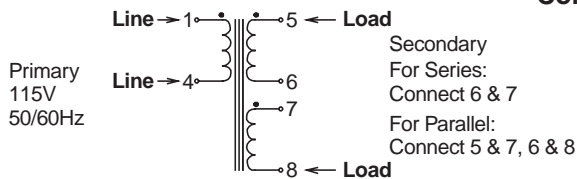


Type DSW

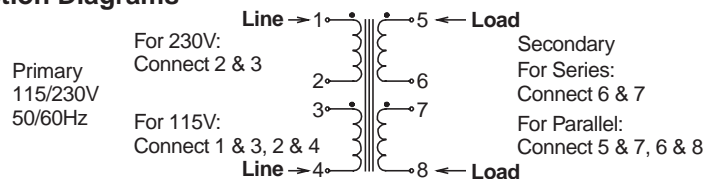
Size	VA	Dimensions – inches							Wt. Lbs.
		H	W	L	MW	A	B	C	
2	1.1	0.94	1.13	1.38	—	0.25	0.25	1.20	0.17
3	2.5	1.19	1.13	1.38	—	0.25	0.25	1.20	0.25
4	6.0	1.31	1.31	1.63	1.06	0.25	0.35	1.28	0.44
5	12.0	1.44	1.56	1.88	1.25	0.30	0.40	1.41	0.70
6	20.0	1.44	1.88	2.25	1.50	0.30	0.40	1.60	0.80

Size is the first numeric digit in Part Numbers listed on reverse side.

### Connection Diagrams



6 Pin Type SW



8 Pin Type DSW

**PART NO. 37-6156B**  
Replaces 37-6156A

### Split Bobbin-Printed Circuit Transformers

SIZE	STANCOR Part No.		Secondary RMS Rating		
	Single 115V 6 Pin Input to 1 & 4	Dual 115/230V 8 Pin+	Individual	Series Output Across 5 & 8 Connect 6 & 7	Parallel Output Across 5 & 8 Connect 5 & 7, 6 & 8
2	SW-210*	DSW-210*	5V @ .11A	10V C.T. @ .11A	5V @ .22A
3	SW-310	DSW-310	5V @ .25A	10V C.T. @ .25A	5V @ .5A
4	SW-410	DSW-410	5V @ .6A	10V C.T. @ .6A	5V @ 1.2A
5	SW-510	DSW-510	5V @ 1.2A	10V C.T. @ 1.2A	5V @ 2.4A
6	SW-610	DSW-610	5V @ 2A	10V C.T. @ 2A	5V @ 4A
2	SW-212*	DSW-212*	6.3V @ .09A	12.6V C.T. @ .09A	6.3V @ .18A
3	SW-312	DSW-312	6.3V @ .2A	12.6V C.T. @ .2A	6.3V @ .4A
4	SW-412	DSW-412	6.3V @ .5A	12.6V C.T. @ .5A	6.3V @ 1.0A
5	SW-512	DSW-512	6.3V @ 1.0A	12.6V C.T. @ 1.0A	6.3V @ 2.0A
6	SW-612	DSW-612	6.3V @ 1.6A	12.6V C.T. @ 1.6A	6.3V @ 3.2A
2	SW-216*	DSW-216*	8V @ .07A	16V C.T. @ .07A	8V @ .14A
3	SW-316	DSW-316	8V @ .15A	16V C.T. @ .15A	8V @ .3A
4	SW-416	DSW-416	8V @ .4A	16V C.T. @ .4A	8V @ .8A
5	SW-516	DSW-516	8V @ .8A	16V C.T. @ .8A	8V @ 1.6A
6	SW-616	DSW-616	8V @ 1.25A	16V C.T. @ 1.25A	8V @ 2.5A
2	SW-220*	DSW-220	10V @ .055A	20V C.T. @ .055A	10V @ .11A
3	SW-320	DSW-320	10V @ .12A	20V C.T. @ .12A	10V @ .24A
4	SW-420	DSW-420	10V @ .3A	20V C.T. @ .3A	10V @ .6A
5	SW-520	DSW-520	10V @ .6A	20V C.T. @ .6A	10V @ 1.2A
6	SW-620	DSW-620	10V @ 1A	20V C.T. @ 1A	10V @ 2A
2	SW-224*	DSW-224	12V @ .045A	24V C.T. @ .045A	12V @ .09A
3	SW-324	DSW-324	12V @ .1A	24V C.T. @ .1A	12V @ .2A
4	SW-424	DSW-424	12V @ .25A	24V C.T. @ .25A	12V @ .5A
5	SW-524	DSW-524	12V @ .5A	24V C.T. @ .5A	12V @ 1.0A
6	SW-624	DSW-624	12V @ .8A	24V C.T. @ .8A	12V @ 1.6A
2	SW-228*	DSW-228	14V @ .04A	28V C.T. @ .04A	14V @ .08A
3	SW-328	DSW-328	14V @ .085A	28V C.T. @ .085A	14V @ .17A
4	SW-428	DSW-428	14V @ .2A	28V C.T. @ .2A	14V @ .4A
5	SW-528	DSW-528	14V @ .42A	28V C.T. @ .42A	14V @ .84A
6	SW-628	DSW-628	14V @ .7A	28V C.T. @ .7A	14V @ 1.4A
2	SW-232*	DSW-232	16V @ .035A	32V C.T. @ .035A	16V @ .07A
3	SW-332	DSW-332	16V @ .075A	32V C.T. @ .075A	16V @ .15A
4	SW-432	DSW-432	16V @ .188A	32V C.T. @ .188A	16V @ .376A
5	SW-532	DSW-532	16V @ .375A	32V C.T. @ .375A	16V @ .750A
6	SW-632	DSW-632	16V @ .625A	32V C.T. @ .625A	16V @ 1.25A
2	SW-236*	DSW-236	18V @ .03A	36V C.T. @ .03A	18V @ .06A
3	SW-336	DSW-336	18V @ .065A	36V C.T. @ .065A	18V @ .13A
4	SW-436	DSW-436	18V @ .17A	36V C.T. @ .17A	18V @ .34A
5	SW-536	DSW-536	18V @ .35A	36V C.T. @ .35A	18V @ .7A
6	SW-636	DSW-636	18V @ .55A	36V C.T. @ .55A	18V @ 1.1A
2	SW-248	DSW-248	24V @ .023A	48V C.T. @ .023A	24V @ .046A
3	SW-348	DSW-348	24V @ .05A	48V C.T. @ .05A	24V @ .1A
4	SW-448	DSW-448	24V @ .125A	48V C.T. @ .125A	24V @ .25A
5	SW-548	DSW-548	24V @ .25A	48V C.T. @ .25A	24V @ .5A
6	SW-648	DSW-648	24V @ .4A	48V C.T. @ .4A	24V @ .8A
2	SW-256	DSW-256	28V @ .02A	56V C.T. @ .02A	28V @ .04A
3	SW-356	DSW-356	28V @ .045A	56V C.T. @ .045A	28V @ .09A
4	SW-456	DSW-456	28V @ .11A	56V C.T. @ .11A	28V @ .22A
5	SW-556	DSW-556	28V @ .22A	56V C.T. @ .22A	28V @ .44A
6	SW-656	DSW-656	28V @ .35A	56V C.T. @ .35A	28V @ .7A
2	SW-2120	DSW-2120	60V @ .01A	120V C.T. @ .01A	60V @ .02A
3	SW-3120	DSW-3120	60V @ .02A	120V C.T. @ .02A	60V @ .04A
4	SW-4120	DSW-4120	60V @ .05A	120V C.T. @ .05A	60V @ .1A
5	SW-5120	DSW-5120	60V @ .1A	120V C.T. @ .1A	60V @ .2A
6	SW-6120	DSW-6120	60V @ .16A	120V C.T. @ .16A	60V @ .32A

\* NOTE: These parts are also UL recognized to UL 1585 (Class 2) File number #E33334.

+ Input 115V to 1 & 4 Connect 1 & 3, 2 & 4 (Parallel) Input 230V to 1 & 4 Connect 2 & 3 (Series)