

### HOW TO ORDER:

EXAMPLE: 190 - 007 - 6 - 14S - 5 P W M

PRODUCT SERIES \_\_\_\_\_

BASIC NO \_\_\_\_\_

6 = PLUG ASSEMBLY \_\_\_\_\_

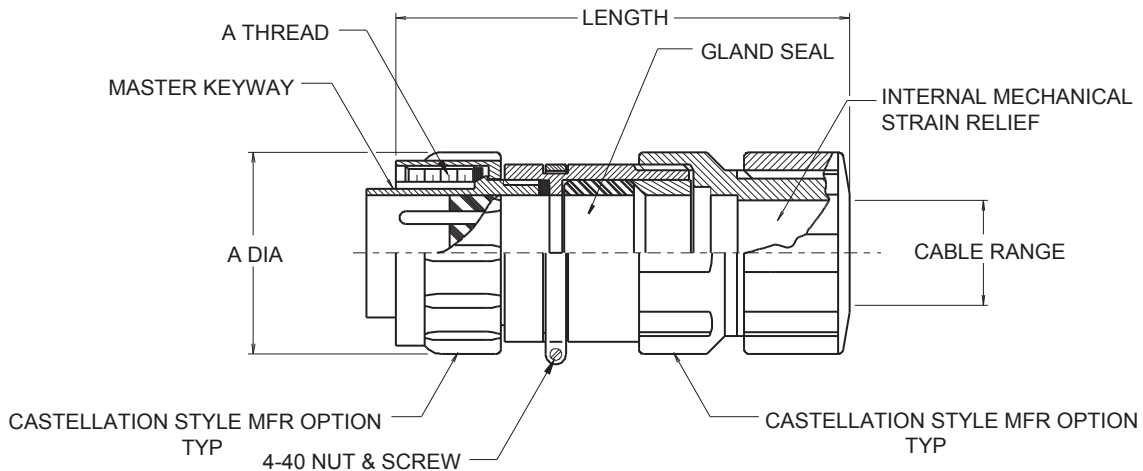
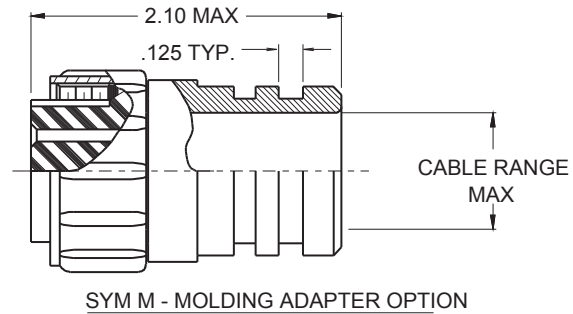
SHELL SIZE, TABLE I \_\_\_\_\_

INSERT ARRANGEMENT DASH NO. \_\_\_\_\_

CONTACT STYLE : \_\_\_\_\_  
 P = PIN  
 S = SOCKET

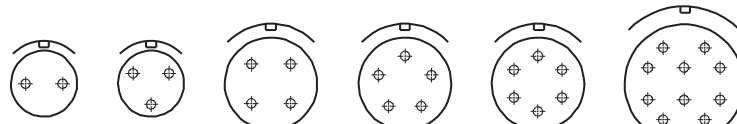
ALTERNATE INSERT POSITION, OMIT FOR NORMAL \_\_\_\_\_

M = MOLDING ADAPTER \_\_\_\_\_  
 C = CONNECTOR ONLY (NO ADAPTER)  
 OMIT FOR STANDARD



### INSERT ARRANGEMENTS

FACE VIEW OF PIN INSERT SHOWN



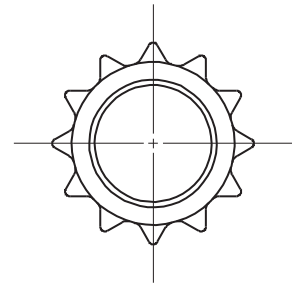
INSERT ARRANGEMENT:	10SL-4	10SL-3	14S-2	14S-5	14S-6	18-1
CONTACT SIZE & QUANTITY:	2 - #16	3 - #16	4 - #16	5 - #16	6 - #16	10 - #16
MS SERVICE RATING:	A	A	INST	INST	INST	4A 6 INST

**190-007-6**  
**Composite Connector, Plug**  
**Environment Resistant**  
**MIL-DTL-5015 Type**



MIL-DTL-5015

TABLE I: CONNECTOR DIMENSIONS						
SHELL SIZE	A MAX	B FLATS	STD CABLE RANGE		CONFIGURATION STYLE	LENGTH MAX
			MIN	MAX		
10SL	1.15 (29.2)	.87 (22.1)	.203 (5.2)	.375 (9.5)	I	3.00
14S	1.33 (33.8)	.87 (22.1)	.203 (5.2)	.375 (9.5)	I	3.00
18	1.60 (40.6)	1.00 (25.4)	.328 (8.3)	.500 (12.7)	I	3.00



**NOTES:**

1. ASSEMBLY IDENTIFIED WITH MANUFACTURER'S NAME AND P/N, SPACE PERMITTING.
2. GLENAIR 190-007 CONNECTOR FEATURES:
  - A. BARREL, COUPLING NUT & REAR ACCESSORY HARDWARE: HIGH GRADE ENGINEERING THERMOPLASTIC (RYTON).
  - B. INSULATOR, O-RING, GROMMET: NITRILE/NEOPRENE
  - C. GROMMET FOLLOWER: NYLON
  - D. CONTACTS: GOLD PLATED COPPER ALLOY WITH SOLDER POTS .
  - E. CONTACT CURRENT RATING: #20-5 AMPS, #16-10 AMPS, #12-17 AMPS, #8-35 AMPS.
  - F. RATED OPERATING VOLTAGE: SERVICE RATING INST - 250 VDC  
SERVICE RATING A - 700 VDC
  - G. DIELECTRIC W/STANDING VOLTAGE (HI-POT): SERVICE RATING INST - 1000 VRMS  
A - 2000 VRMS
  - H. INSULATION RESISTANCE: 5000 MEGOHMS MINIMUM AT 500 VDC AND +25AC
  - J. TEMPERATURE RANGE: -55AC TO +125AC
3. ELECTRICAL SAFETY LIMITS MUST BE ESTABLISHED BY THE USER .  
PEAK VOLTAGES, SWITCHING SURGES, TRANSIENTS, ETC., SHOULD BE USED TO DETERMINE THE SAFETY OF APPLICATION .