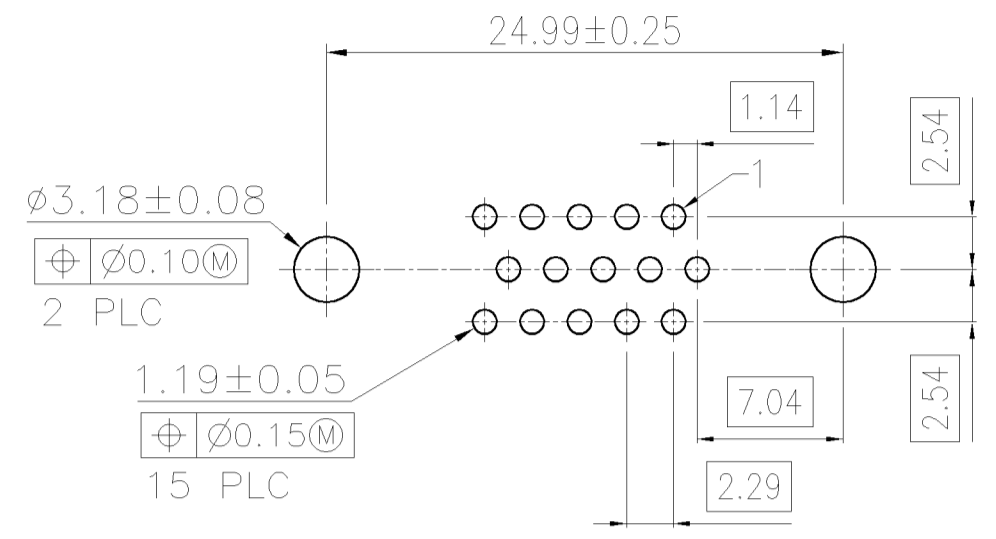
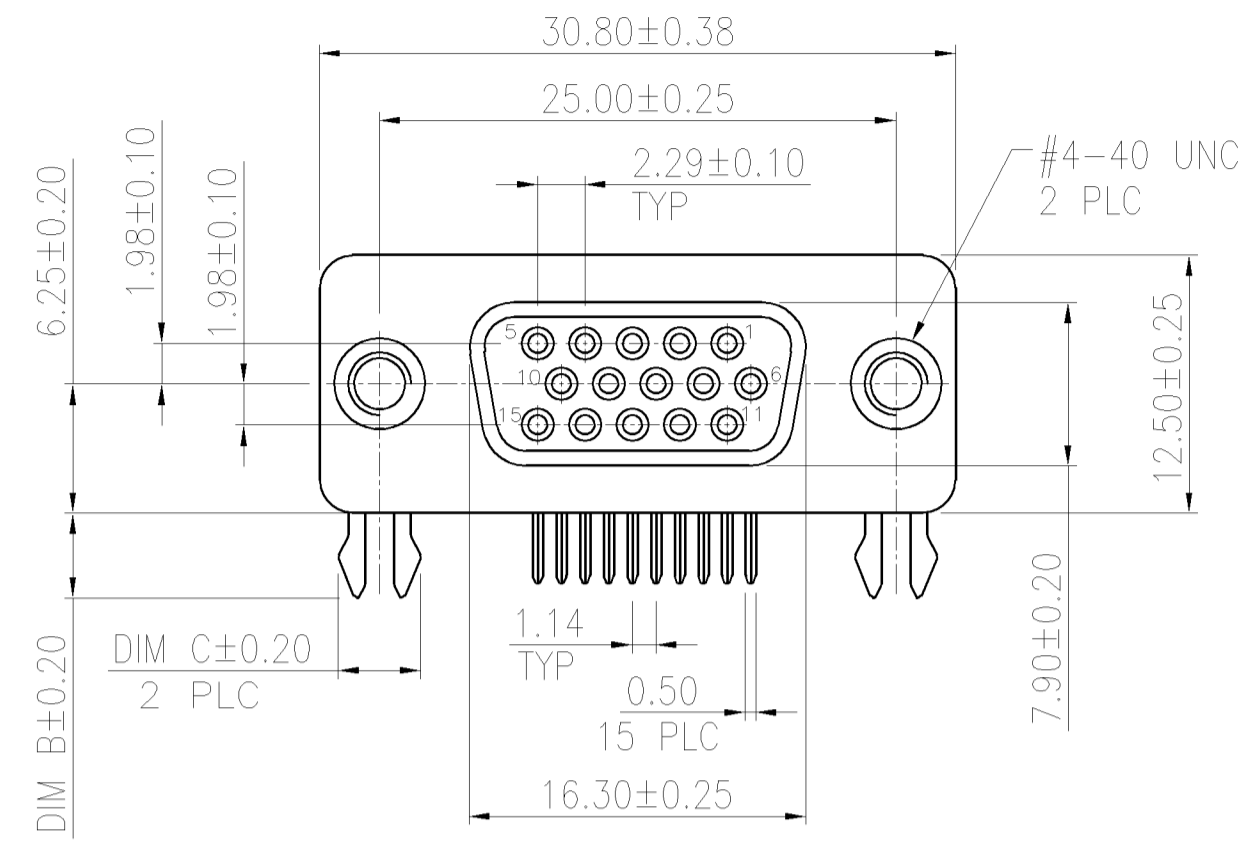


THIS DRAWING IS UNPUBLISHED. RELEASED FOR PUBLICATION  
 © COPYRIGHT BY TYCO ELECTRONICS CORPORATION. ALL RIGHTS RESERVED.

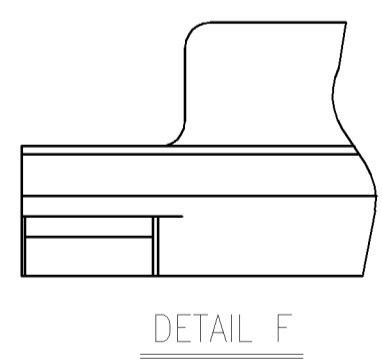
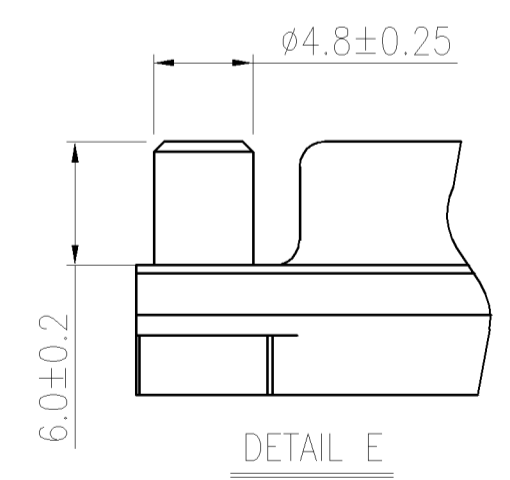
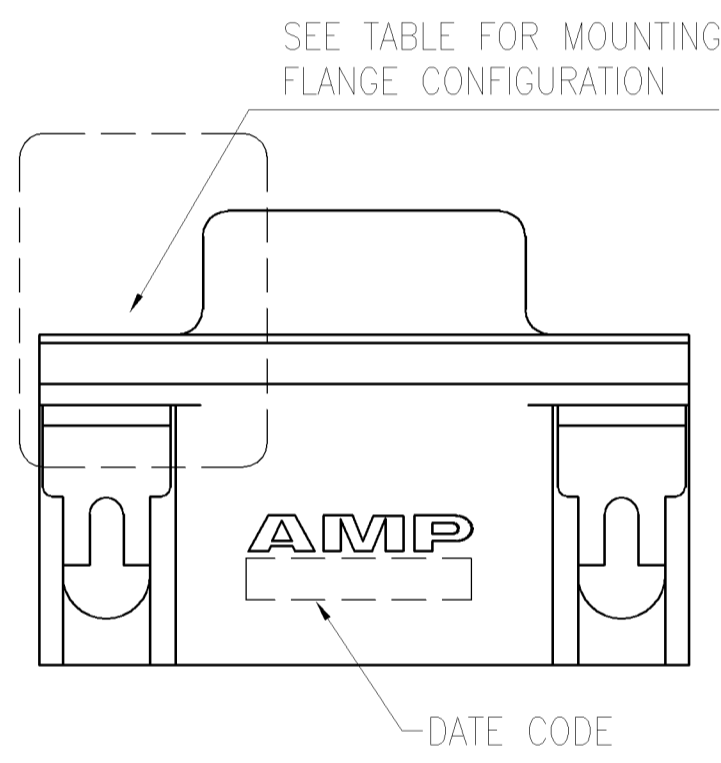
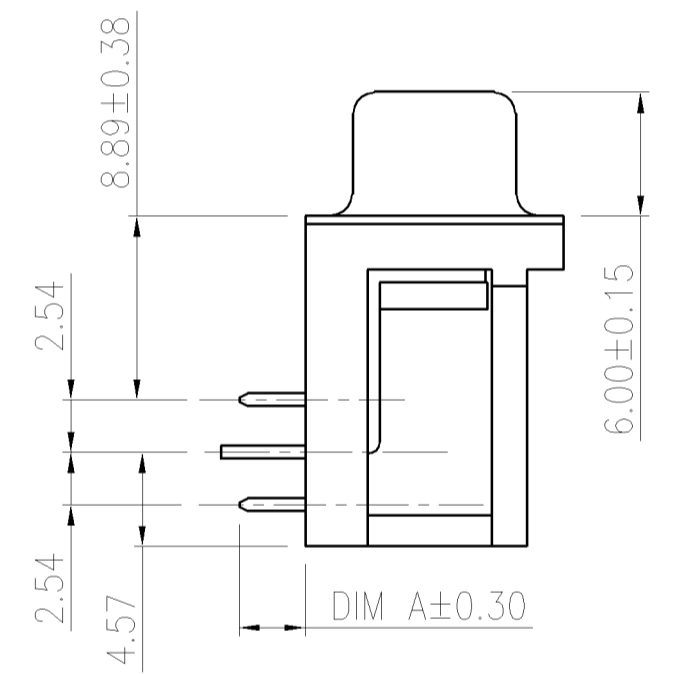
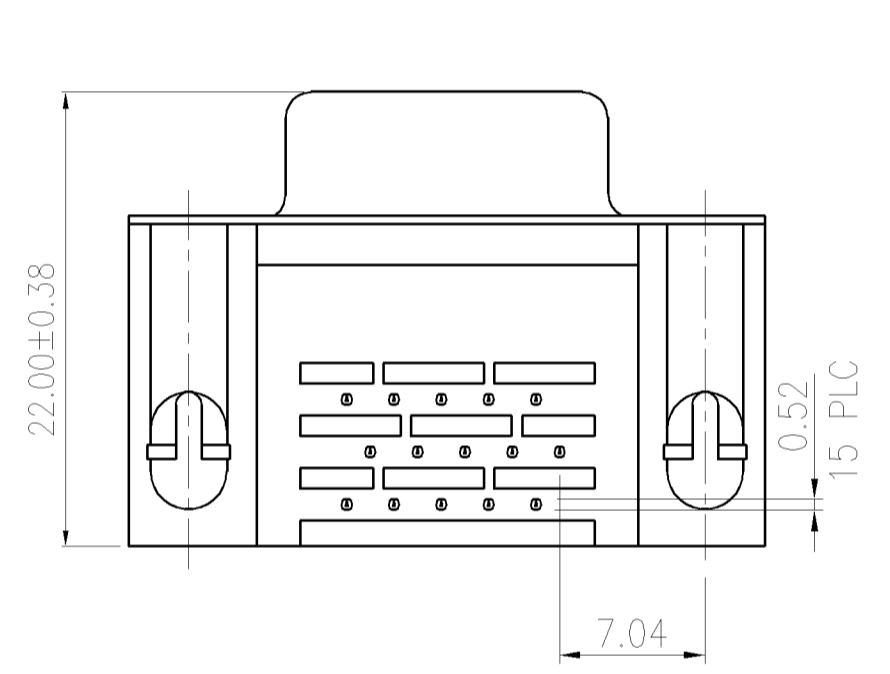
LOC DW DIST —

REVISIONS					
P	LTR	DESCRIPTION	DATE	DWN	APVD
	A	REVISED ECR-06-007034	27APR06	JL	WK
	A1	REVISED ECR-07-006694	22MAR07	JL	WK



RECOMMENDED P.C. BOARD LAYOUT

- NOTES:
- MATERIAL:
    - HOUSING: THERMOPLASTIC(NY9T), UL 94V-0 RATED, BLACK
    - CONTACTS: PHOPHOR BRONZE
    - SHELL: SPCC
    - BOARDLOCKS: BRASS
    - RIVET: BRASS
    - SCREWLOCK: BRASS
  - FINISH:
    - CONTACT:
      - GOLD PLATING ON CONTACT AREA. (SEE TABLE)
      - 2.54um[100u"] MIN. MATTE TIN PLATING ON SOLDER TAIL AREA,
      - 1.27um[50u"] MIN. NICKEL UNDERPLATING OVERALL,
    - BOARDLOCK:
      - 2.54um[100u"] MIN MATTE TIN PLATING
      - 1.27um[50u"] MIN NICKEL UNDERPLATING OVERALL,
    - SHELL: NICKEL PLATED
    - RIVET: NICKEL PLATING 0.76um[30u"] OVERALL.
    - FIXED SCREWLOCK: NICKEL PLATING 0.76um[30u"]. MEETS 6 IN-LB TORQUE.
  - RECOMMENDED PCB THICKNESS: 1.6 mm
  - REFLOW SOLDER CAPABLE TO 260°C PER TYCO SPEC. 109-201, CONDITION B.
  - NET WEIGHT: 10.24 g/pcs. (WITH SCREWLOCK)  
8.24 g/pcs. (W/O SCREWLOCK)
- ⚠ BOARDLOCK INSERTION FORCE: 1.5±0.5 Kgf [15±5 N]. FOR 5-1734530-3 & 6-1734530-3 ONLY.

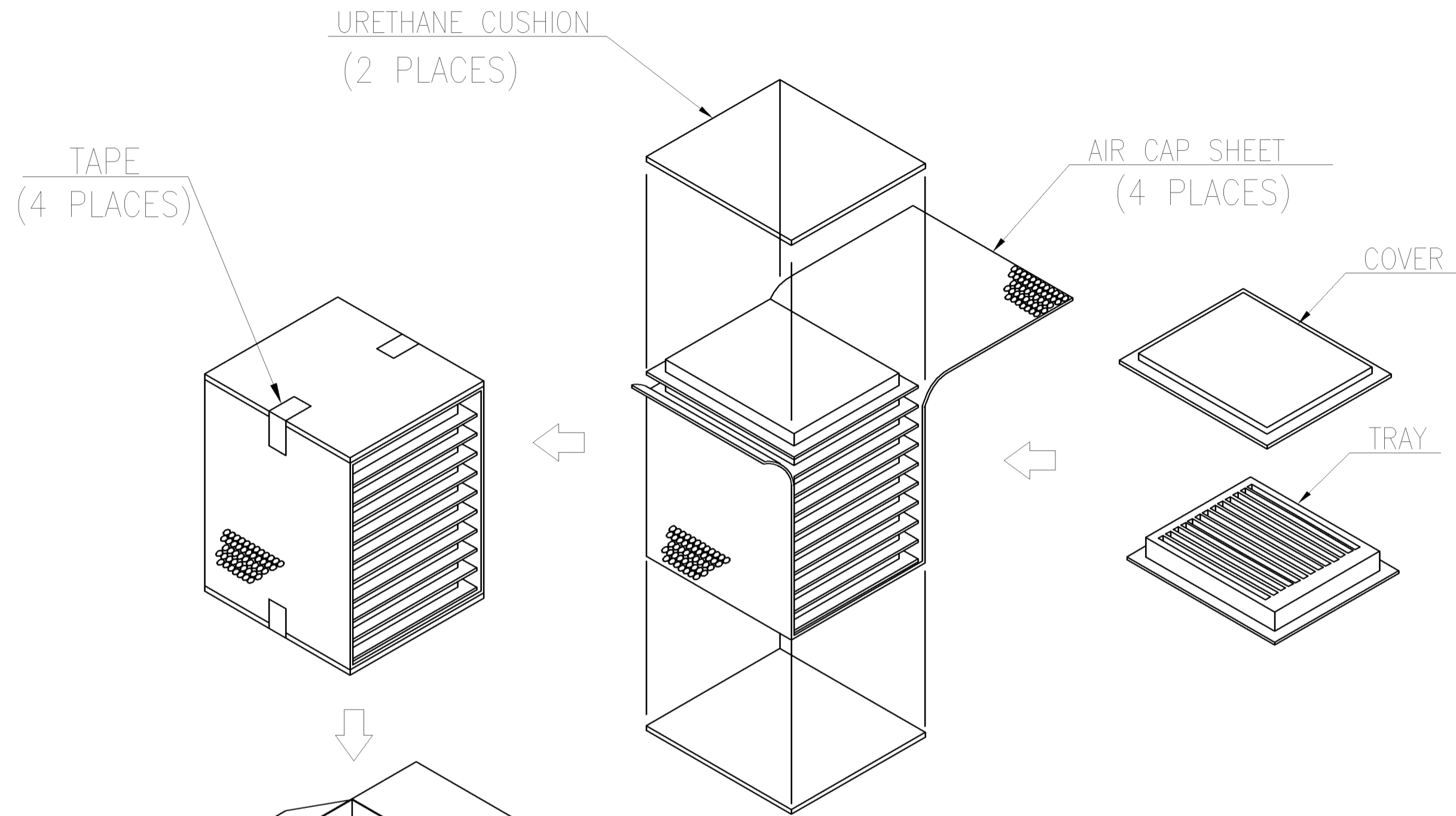


TAPE&REEL	DETAIL	W/	3.78 <sup>⚠</sup>	3.20 <sup>⚠</sup>	3.18	30 μ"	6-1734530-3
TAPE&REEL	DETAIL E	W/	3.78 <sup>⚠</sup>	3.20 <sup>⚠</sup>	3.18	30 μ"	5-1734530-3
TRAY	DETAIL F	W/O	4.00	4.10	3.18	30 μ"	3-1734530-3
TUBE	DETAIL F	W/	4.00	4.10	3.18	30 μ"	2-1734530-3
TUBE	DETAIL F	W/	4.00	4.10	3.18	15 μ"	2-1734530-2
TUBE	DETAIL F	W/	4.00	4.10	3.18	G/F	2-1734530-1
TRAY	DETAIL F	W/	4.00	4.10	2.16	30 μ"	1-1734530-6
TRAY	DETAIL F	W/	4.00	4.10	2.16	15 μ"	1-1734530-5
TRAY	DETAIL F	W/	4.00	4.10	2.16	G/F	1-1734530-4
TRAY	DETAIL F	W/	4.00	4.10	3.18	30 μ"	1-1734530-3
TRAY	DETAIL F	W/	4.00	4.10	3.18	15 μ"	1-1734530-2
TRAY	DETAIL F	W/	4.00	4.10	3.18	G/F	1-1734530-1
TRAY	DETAIL E	W/	4.00	4.10	2.16	30 μ"	1734530-6
TRAY	DETAIL E	W/	4.00	4.10	2.16	15 μ"	1734530-5
TRAY	DETAIL E	W/	4.00	4.10	2.16	G/F	1734530-4
TRAY	DETAIL E	W/	4.00	4.10	3.18	30 μ"	1734530-3
TRAY	DETAIL E	W/	4.00	4.10	3.18	15 μ"	1734530-2
TRAY	DETAIL E	W/	4.00	4.10	3.18	G/F	1734530-1
PACKAGING	MOUNTING FLANGE CONFIGURATION	BOARDLOCK OPTION	DIM C	DIM B	DIM A	Gold Finish	PART NO.

THIS DRAWING IS A CONTROLLED DOCUMENT.		DWN J. LEE 22MAR2007	Tyco Holdings (Bermuda) VII Ltd. Taiwan Branch			
DIMENSIONS: MM		CHK S. HOU 22MAR2007				
TOLERANCES UNLESS OTHERWISE SPECIFIED:		APVD W.J. KE 22MAR2007	RECEPTACLE ASSY, SIZE 1, 15 POSITION, RIGHT ANGLE, THROUGH HOLE			
0 PLC ± - 1 PLC ± 0.38 2 PLC ± 0.25 3 PLC ± 0.15 4 PLC ± - ANGLES ± -		PRODUCT SPEC 108-57541	RESTRICTED TO			
MATERIAL SEE NOTE		QUALIFICATION TEST REPORT 501-57623	SIZE	CAGE CODE	DRAWING NO	
FINISH SEE NOTE		WEIGHT SEE NOTE	A3	00779	G-1734530	
CUSTOMER DRAWING			SCALE -	SHEET 1 OF 4	REV A1	

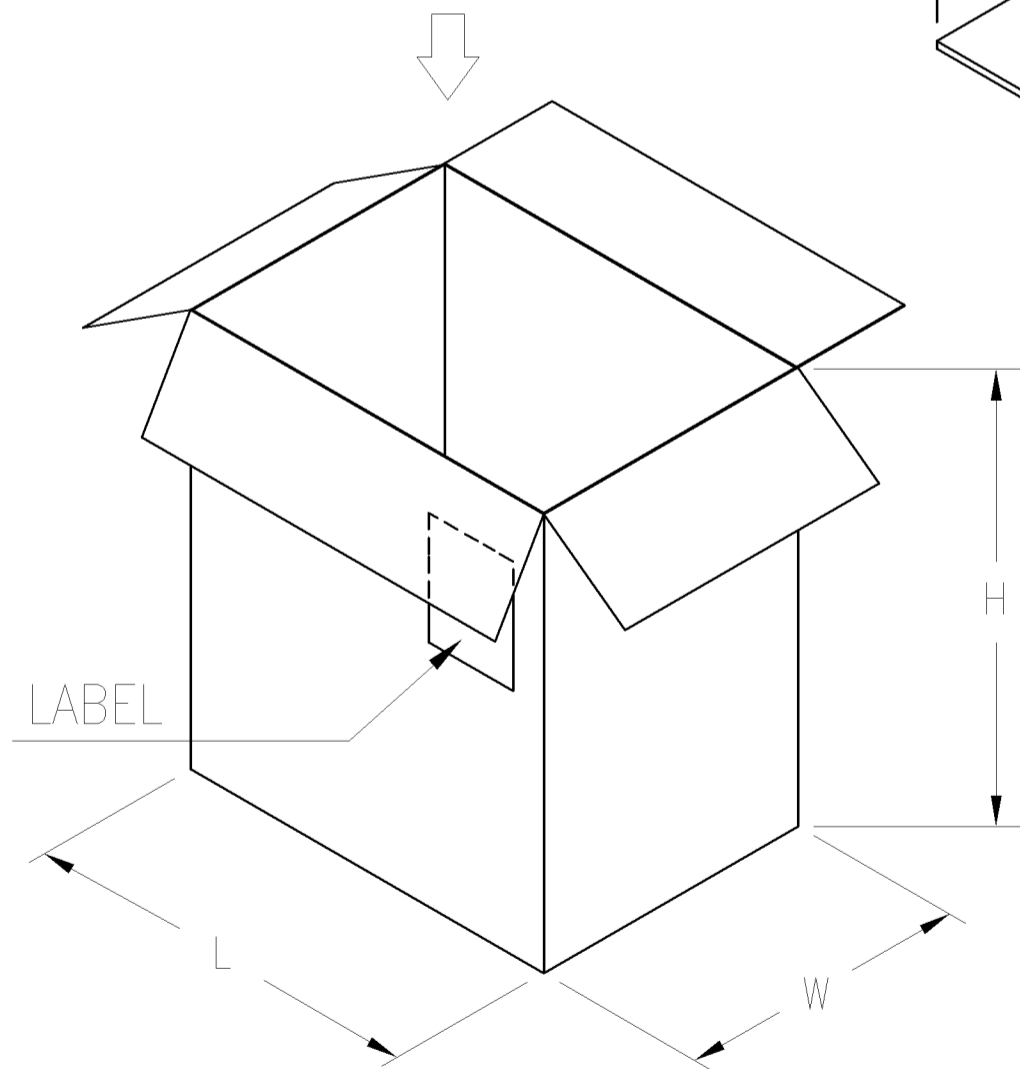
THIS DRAWING IS UNPUBLISHED. RELEASED FOR PUBLICATION  
 © COPYRIGHT BY TYCO ELECTRONICS CORPORATION. ALL RIGHTS RESERVED.

LOC	DIST	REVISIONS			
P	LTR	DESCRIPTION	DATE	DWN	APVD
DW	—	SEE SHEET 1.			



NOTES:

1. MATERIAL:
  - 1.1 TRAY: PVC
  - 1.2 SHIPPING CARTON: CORRUGATED FIBERBOARD
2. DIMENSION:
  - 2.1 TRAY: L=320, W=230, H=18.9
  - 2.2 SHIPPING CARTON: L=361, W=245, H=272
3. QUANTITY:
  - 3.1 PRIMARY PACKING: 100 PCS/TRAY
  - 3.2 SECONDARY PACKING: 10 TRAY/CARTON(1000PCS)
4. CARTON WEIGHT:
  - 4.1 NET WEIGHT: 10.24 Kg (W/SCREWLOCK)
  - 4.2 GROSS WEIGHT: 11.24 Kg (W/SCREWLOCK)
  - 4.3 NET WEIGHT: 8.24 Kg (W/O SCREWLOCK)
  - 4.4 GROSS WEIGHT: 9.24 Kg (W/O SCREWLOCK)

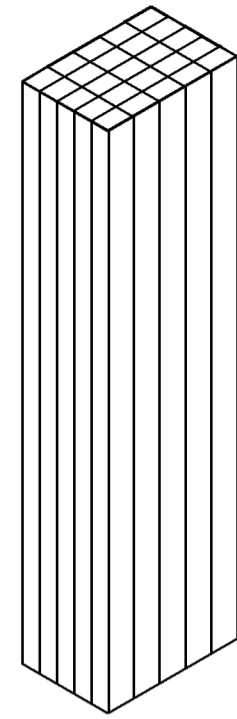
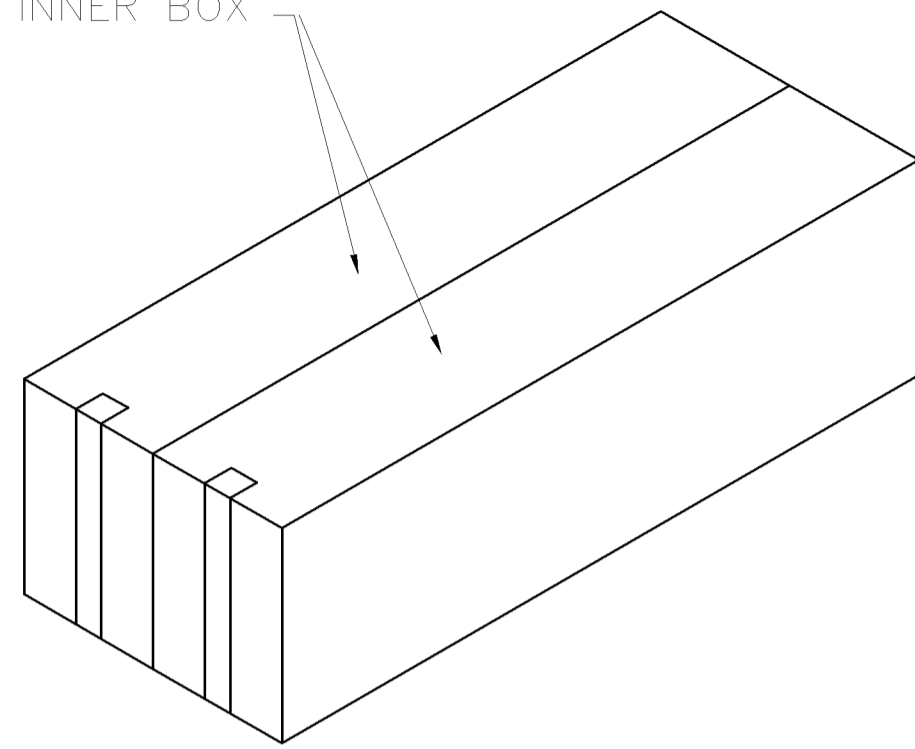


THIS DRAWING IS A CONTROLLED DOCUMENT.		DWN J. LEE 22MAR2007	<b>tyco</b> Tyco Holdings (Bermuda)													
DIMENSIONS: MM		CHK S. HOU 22MAR2007	<b>Electronics</b> VII Ltd. Taiwan Branch													
TOLERANCES UNLESS OTHERWISE SPECIFIED:		APVD W.J. KE 22MAR2007	NAME RECEPTACLE ASSY, SIZE 1, 15 POSITION, RIGHT ANGLE, THROUGH HOLE													
<table border="0"> <tr><td>0 PLC</td><td>± -</td></tr> <tr><td>1 PLC</td><td>± -</td></tr> <tr><td>2 PLC</td><td>± -</td></tr> <tr><td>3 PLC</td><td>± -</td></tr> <tr><td>4 PLC</td><td>± -</td></tr> <tr><td>ANGLES</td><td>± -</td></tr> </table>		0 PLC	± -	1 PLC	± -	2 PLC	± -	3 PLC	± -	4 PLC	± -	ANGLES	± -	PRODUCT SPEC —	SIZE A3	CAGE CODE 00779
0 PLC	± -															
1 PLC	± -															
2 PLC	± -															
3 PLC	± -															
4 PLC	± -															
ANGLES	± -															
MATERIAL		APPLICATION SPEC —	DRAWING NO C=1734530	RESTRICTED TO —												
FINISH		WEIGHT —	CUSTOMER DRAWING													
		SCALE —	SHEET 2 OF 4	REV A1												

THIS DRAWING IS UNPUBLISHED. RELEASED FOR PUBLICATION  
 © COPYRIGHT BY TYCO ELECTRONICS CORPORATION. ALL RIGHTS RESERVED.

LOC	DIST	REVISIONS			
P	LTR	DESCRIPTION	DATE	DWN	APVD
		SEE SHEET 1.			

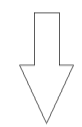
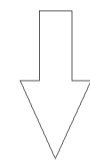
INNER BOX



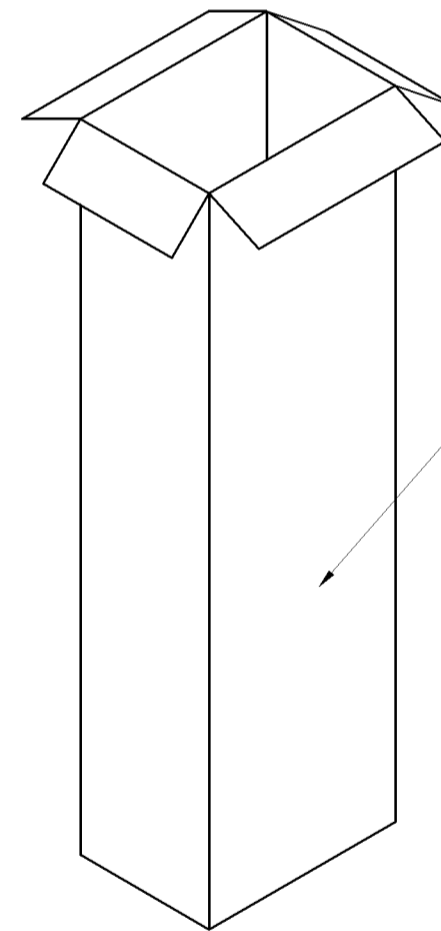
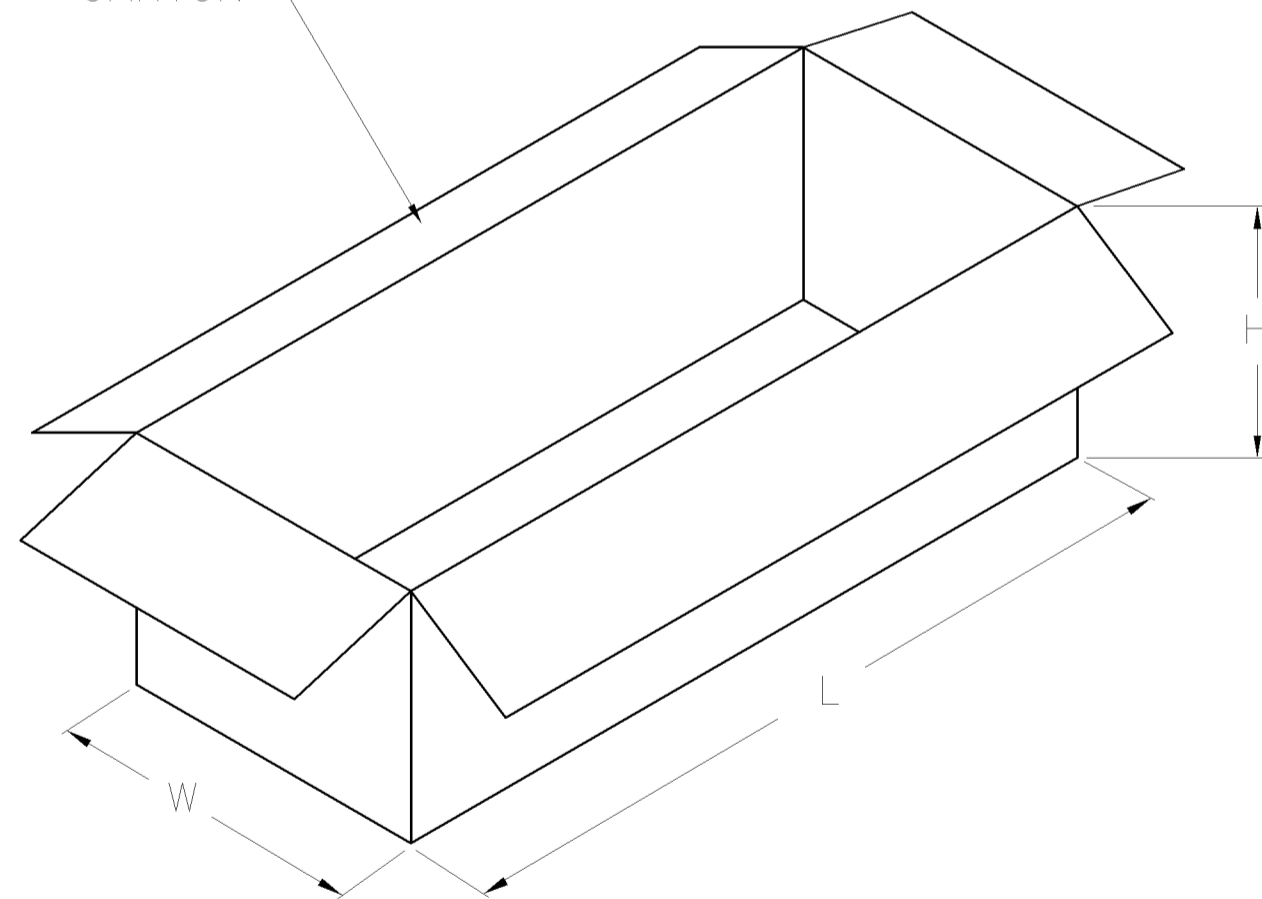
TUBE

NOTES:

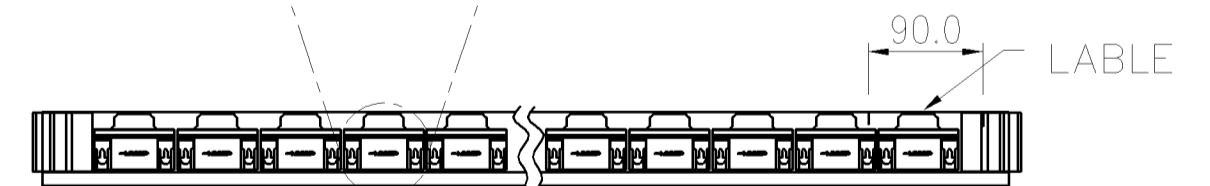
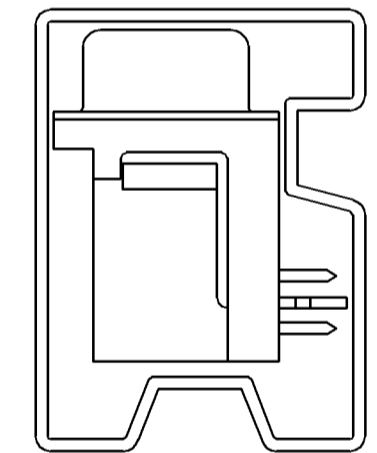
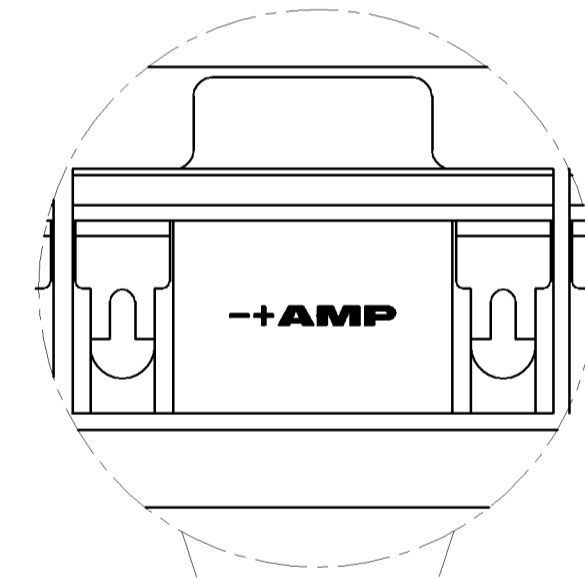
1. MATERIAL:
  - 1.1 TUBE: PVC
  - 1.2 SHIPPING CARTON: CORRUGATED FIBERBOARD
2. DIMENSION:
  - 2.1 TUBE: L=560, W=17.8, H=27.4
  - 2.2 SHIPPING CARTON: L=600, W=245, H=195
3. QUANTITY:
  - 3.1 PRIMARY PACKING: 17 PCS/TUBE
  - 3.2 SECONDARY PACKING: 25 TUBE/BOX
  - 3.3 THIRD PACKING: 2 BOX/CARTON(850PCS)
4. CARTON WEIGHT:
  - 4.1 NET WEIGHT: 8.7 Kg (W/O SCREWLOCK)
  - 4.2 GROSS WEIGHT: 9.7 Kg (W/O SCREWLOCK)



CARTON



INNER BOX

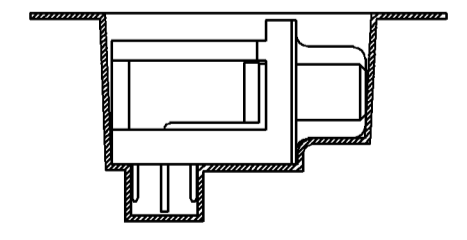
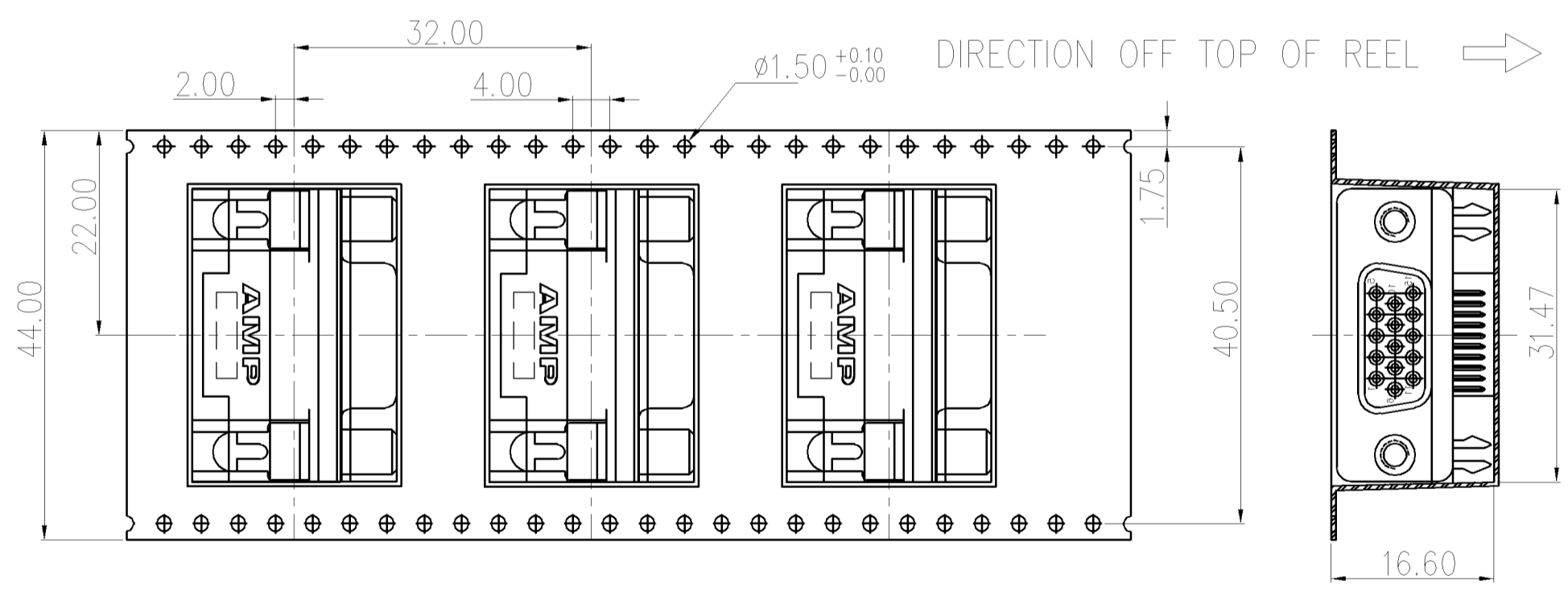
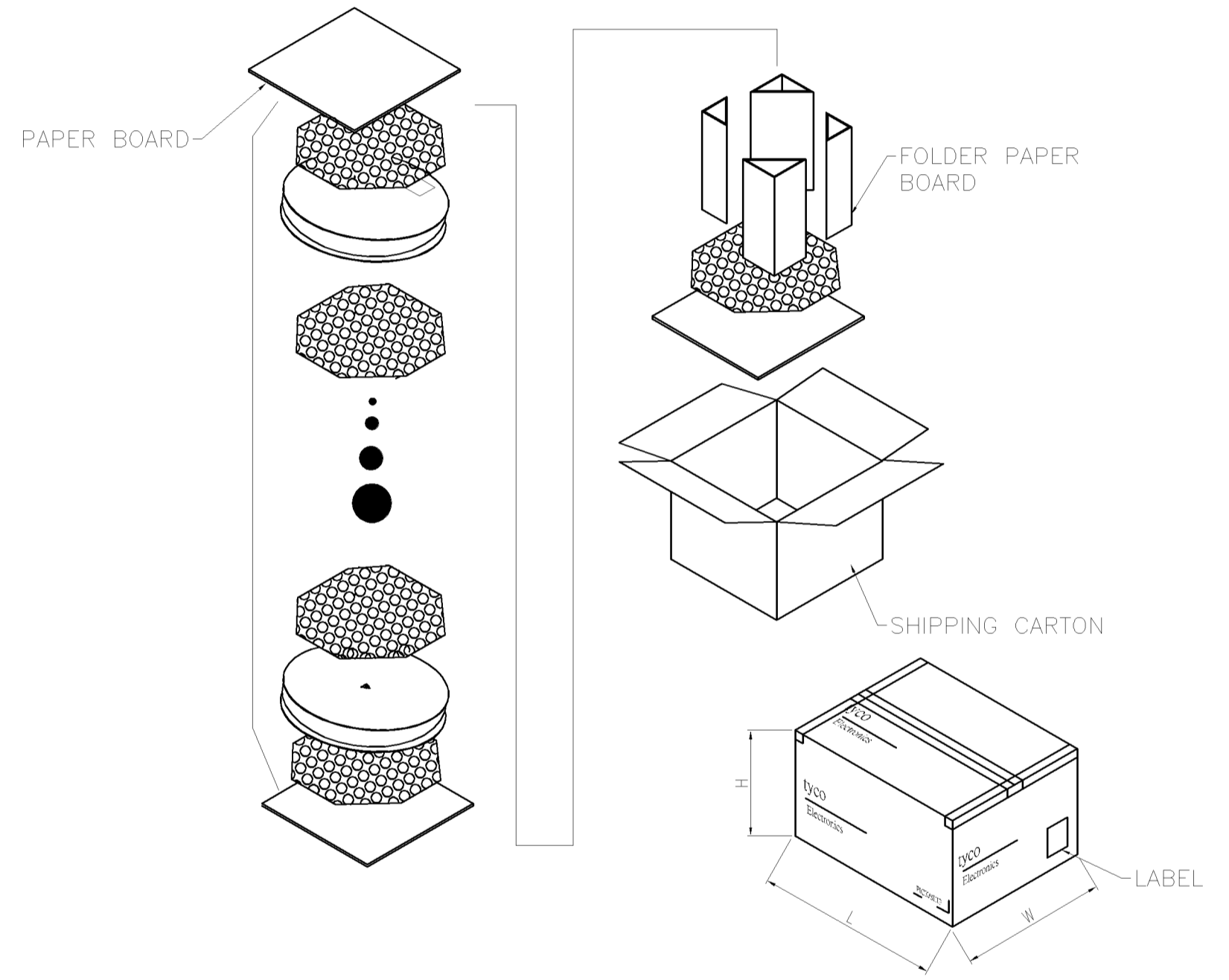
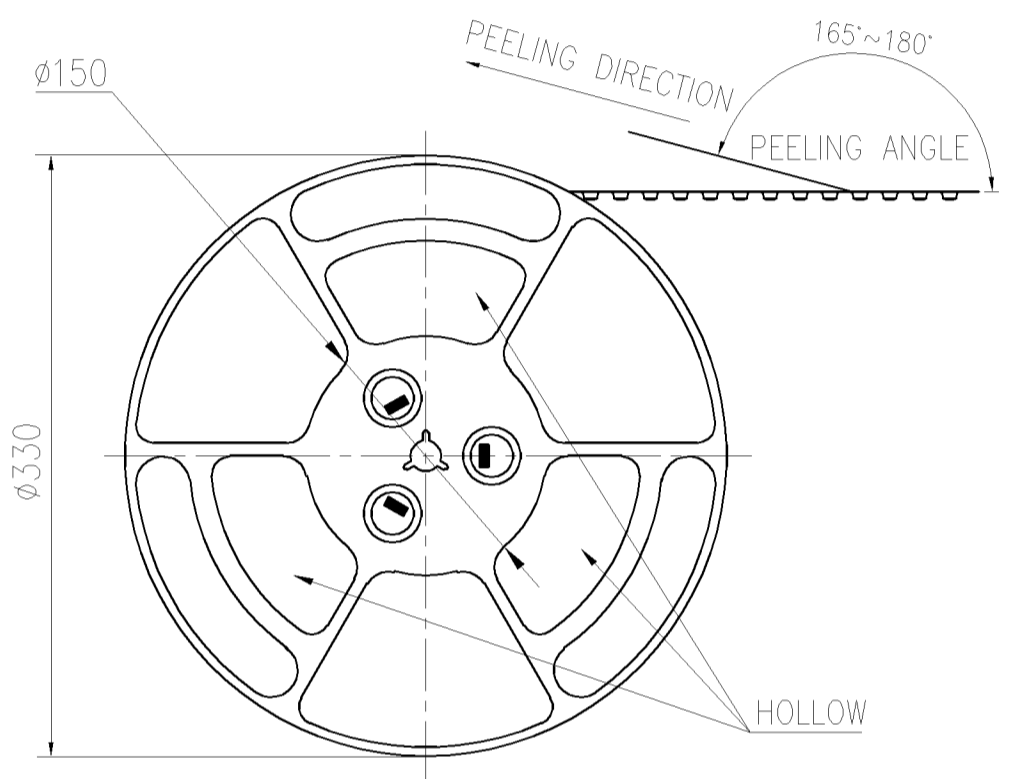
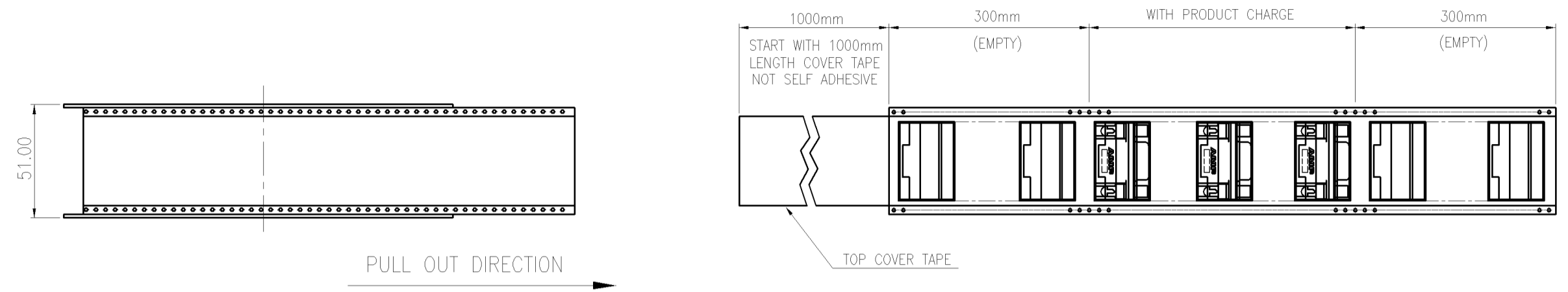


THIS DRAWING IS A CONTROLLED DOCUMENT.		DWN J. LEE 22MAR2007	<b>tyco</b> Tyco Holdings (Bermuda)													
DIMENSIONS: MM		CHK S. HOU 22MAR2007	Electronics VII Ltd. Taiwan Branch													
TOLERANCES UNLESS OTHERWISE SPECIFIED:		APVD W.J. KE 22MAR2007	NAME RECEPTACLE ASSY, SIZE 1, 15 POSITION, RIGHT ANGLE, THROUGH HOLE													
<table border="0"> <tr><td>0 PLC</td><td>± -</td></tr> <tr><td>1 PLC</td><td>± -</td></tr> <tr><td>2 PLC</td><td>± -</td></tr> <tr><td>3 PLC</td><td>± -</td></tr> <tr><td>4 PLC</td><td>± -</td></tr> <tr><td>ANGLES</td><td>± -</td></tr> </table>		0 PLC	± -	1 PLC	± -	2 PLC	± -	3 PLC	± -	4 PLC	± -	ANGLES	± -	PRODUCT SPEC -	SIZE A3	CAGE CODE 00779
0 PLC	± -															
1 PLC	± -															
2 PLC	± -															
3 PLC	± -															
4 PLC	± -															
ANGLES	± -															
MATERIAL		APPLICATION SPEC -	DRAWING NO C-1734530	RESTRICTED TO -												
FINISH		WEIGHT -	CUSTOMER DRAWING													
		SCALE -	SHEET 3 OF 4	REV A1												

THIS DRAWING IS UNPUBLISHED. RELEASED FOR PUBLICATION  
 © COPYRIGHT BY TYCO ELECTRONICS CORPORATION. ALL RIGHTS RESERVED.

LOC DW  
 DIST —

REVISIONS				
P	LTR	DESCRIPTION	DATE	APVD
		SEE SHEET 1.		



PRODUCT TYPE	PCS/REEL	REEL/CARTON	TOTAL(PCS)	CTN SIZE (CM)	NW(Kg)	GW(Kg)
D-SUB H/D 15P	100	6	600	360X360X350	5.4	5.9

THIS DRAWING IS A CONTROLLED DOCUMENT.

DWN	J. LEE	22MAR2007		Tyco Holdings (Bermuda)	
CHK	S. HOU	22MAR2007		VII Ltd. Taiwan Branch	
APVD	W.J. KE	22MAR2007		NAME	
PRODUCT SPEC			RECEPTACLE ASSY, SIZE 1, 15 POSITION, RIGHT ANGLE, THROUGH HOLE		
APPLICATION SPEC			SIZE	CAGE CODE	DRAWING NO
WEIGHT			A3 00779		C=1734530
MATERIAL			CUSTOMER DRAWING		RESTRICTED TO
DIMENSIONS: MM			SCALE		SHEET
TOLERANCES UNLESS OTHERWISE SPECIFIED:			—		4 OF 4
0 PLC ± -			REV		A1
1 PLC ± -					
2 PLC ± -					
3 PLC ± -					
4 PLC ± -					
ANGLES ± -					
FINISH					