

規格承認書

PECIFICATION FOR APPROVAL

客戶
CUSTOMER : 立創

項目
ITEM : 微型扬声器(塑壳内磁)

型號
TYPE : GSPK3070PN-8R2W-L100 (焊线可定制)

描述
DESCRIPTION : L69.9 x W31 x H8.6 MM 磁芯 12.5*2mm 8Ω 2W S.P.L: 86 dB+/- 3dB

客戶料號
CUSTOMER NO. :

規格書號
SPECIFICATION NO.:

版本
EDITION NO. : V1.0

日期
DATE : 2020-6-15

客戶承認

CUSTOMER CONFIRM AND SIGN

檢查 TESTED BY	審核 CHECKED BY	承認 APPROVED BY

東莞市贏海電子有限公司

DONGUAN INGHAI ELECTRONICS CO.,LTD

製作 ISSUED BY	審查 CHECKED BY	確認 APPROVED BY
周明	刘承成	

地址：廣東省東莞市長安鎮上沙第五工业区新春路 1 号新春科技园
電話 / TEL: 0769-83060958 傳真 / FAX: 0769-81608993
網址: [HTTP://WWW.INGHAI.COM](http://www.inghai.com)

1. 范围/SCOPE

该规格书适用于移动电话等使用的扬声器单元。

This Specification Applies to The Speaker, Used In Mobilephone sec.

2. 型号/PART No

客户型号/Customer'S Part no:

3. 本公司型号/Our Part no : GSPK3070PN-8R2W-L100

4. 尺寸与重量/TYPER

69.9*31*8.6mm 电动式 Rectangle Dynamic type

5. 尺寸与重量/DIMENSION

尺寸: 69.9*31*8.6mm 参考外观图面 (Figure.3)

Dimension: Refer To The Appearance Drawing. (Figure.3)

重量: 11 /±0.5g

Weight: 11/±0.5g

6. 标准测试条件/STANDARD TEST CONDITION

在没有其他特别指定时, 测试应如下所记的标准测试条件下进行。

Unless Otherwise Specified, The Test Shall Be Made Under The Standard Conditions.

- 温度/Temperature : 17°C~25°C (Standard: 20.5°C)
- 相对温度/Relative Humidity : 45%~85% (Standare: 65%)
- 大气压力/Pressure : 86Kpa~106Kpa(Standard: 101.3 Kpa)

7. 使用与储存温度/OPERATION AND STORAGE TEMIPERATURE

- 使用温度/Operation Temperature : -40°C~75°C
- 储存温度/Storage Temperature : -30°C~ 70°C

8. 电气特性规格/Electrical Specification

参考特性规格页面/Refer To The Appearance Page

SPEAKER SPECIFICATION (P3/7)

1. 外观与尺寸: 参考附图

Appearance & Dimensions: Refer To The Appearance Drawing

2. 额定/Rated

项目/Items	规格/Specification	条件/Conditions
额定阻抗/Rated Impedance	8.0 Ohm±20%	at 1kHz 100 mV
额定输入功率/Rated input power	2.0 W	
最大输入功率/Max input power	3.0 W	
最低共振频率 /Resonant Frequency	450±25% Hz	1V Input
灵敏度/Sound pressure level	86±3dB	SPL at 1.05kHz in Average (0dB SPL=20μPa) Measuring condition: 1.0W (Sine wave) 0.5m measured with baffler shown in Figure4
有效频率范围 /Frequency response	FO~20KHz	
总谐波失真/THD	≤5% at 1kHz	

3. 动作检查/OPERATIONAL TEST

项目/ITEM	信号/SIGNAL	输入/INPUT	扫频范围/SWEEP RANGE
SWEEP TEST	Sine Wave	2W(4V)	200~5000Hz

- 在动作检查中不得有异常音出现
- Without Abnormal Sound In Operation Test.

4. 负荷实验/LOAD TEST

项目/ITEM	信号/SIGNAL	I 输入/INPUT	驱动时间 DRIVING TERM
Continuous load Test	PINK Noise/Jis Filter (Refer To Jis C5531)	2w(4V) (RMS)	96hours (with 5cc test box)

- 在负荷实验后不得有异常音出现,灵敏度应保持在限度范围内。
- Without Abnormal Sound After Test, And The S.P.L Shall Be In The Limit.
- 负荷实验应使用粉红噪声信号
- Running Test Shall Use pink Noise Signal

Name

MICRO SPEAKER

Customer's Part No:

Our Part No: **GSPK4030PN-1M4R3W-L**

SPEKER SPECIFICATION(P4/7)

5. 可靠性实验/Reliability Test

项目/Item	规格/Specification	判定/Judgement
高温放置实验 Hightemp.Storage Test	75°C±2°C/20~40%RH/96HR & 20°C±5°C,1H	实验完成后产品应满足上述第 1, 2, 3 项要求. Clause 1, 2, 3 Shallbe Satisfied Afier Test
低温放置实验 Lowtemp.Storage Test	-40±2°C/20~40%RH/96HR & 20°C±5°C,1H	
耐湿实验 Humidity Test	40°C ± 2°C / 90~95%RH/96HR & 20°C ± 5°C, 1H	
耐高温负荷实验 Heatrunning Test	75°C ± 2°C / 20~40%RH/-	
耐低温负荷实验 Coldrunning Test	-40°C ± 2°C / 20~40%RH/-	
热冲击实验 Thermalshock Test	+75°C ± 2°C — 30°C ± 2°C — +85°C ± 2°C 5Cycles	
震动实验 Vibration Test	10Hz—40Hz—10Hz/60s, 1.0mm (X: 2H, Y: 2B)	

6. 跌落实验/SHOCK TEST

项目/Item	条件/Condition	判定/Judgement
Drop Test	产品在包装状态下,从 1 米高处向混凝土地面跌落:1角:1次:3边:每条边 1次:6面:每 1 面 1 次 Speaker Shall Be Packed In The Carton And Dropped The Concrete Floor(H:1m)	实验完成后新产品应满足上述第 3 项要求 Clause 3 Shallbe Satisfied Afier Test

Name

MICRO SPEAKER

Customer's Part No:

Our Part No: **GSPK4030PN-1M4R3W-L**

SPEKER SPECIFICATION(P5/7)

典型频响曲线 /TYPICAL FREQUENCY RESPONSE CURVE

12/21/2003 06:04

CRY6125Y 扬声器测试仪 V91

无框 滤波器1次

DCR= _____ Ω 0 1000Hz灵敏度 : 111.02 dB ACZ: _____ Ω Qm: _____
 Veq= _____ dm3 \rightarrow 0 平均灵敏度 : 105.74 dB Zm : _____ Ω Qe: _____
 Dist.=010 cm F1= 10Hz F2=40000Hz F0 : _____ Hz Qt: _____
 型号: _____
 0 dB 参考值为 : 20.0 μ Pa 扫频速度 : 002 ms 慢速 扫频模式 : 1/24 Oct

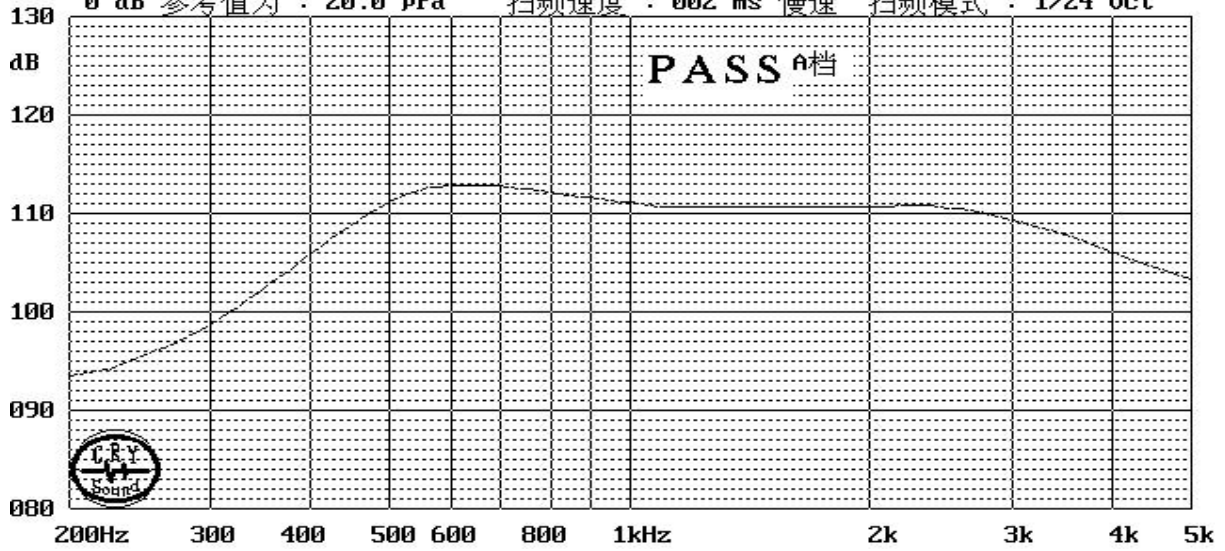


Figure.1

FREQUENCY MEASURING CIRCUIT AND EAR PIECE

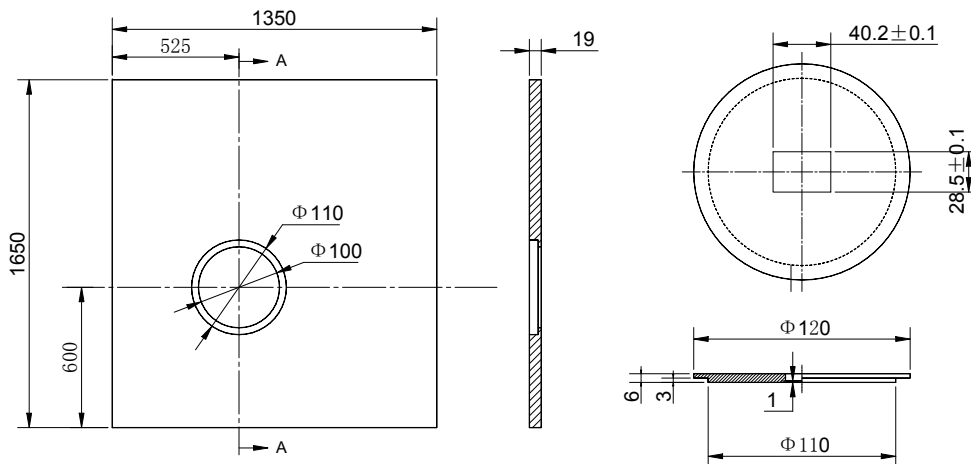


Figure.2

Name

MICRO SPEAKER

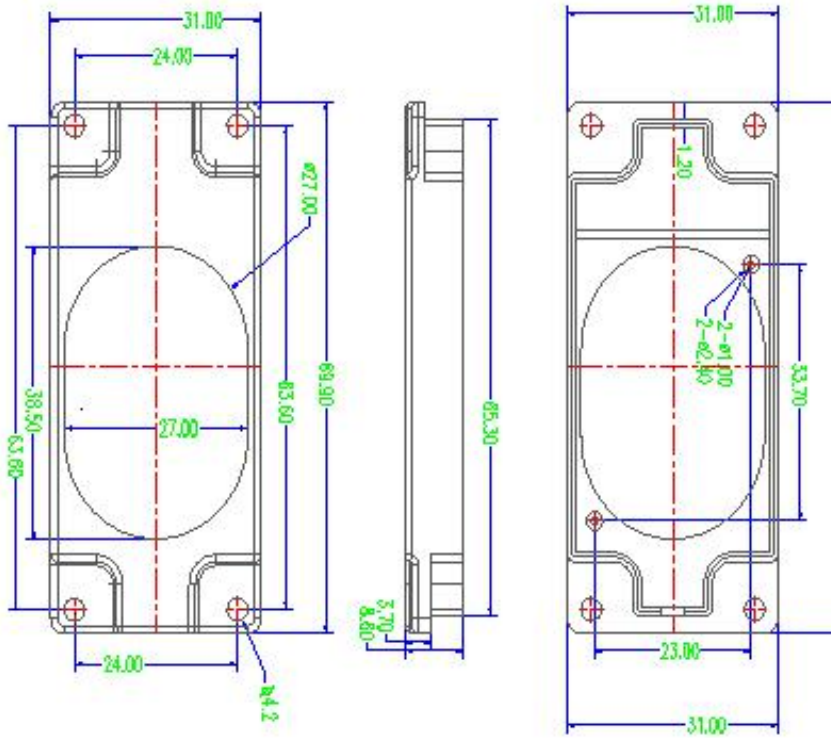
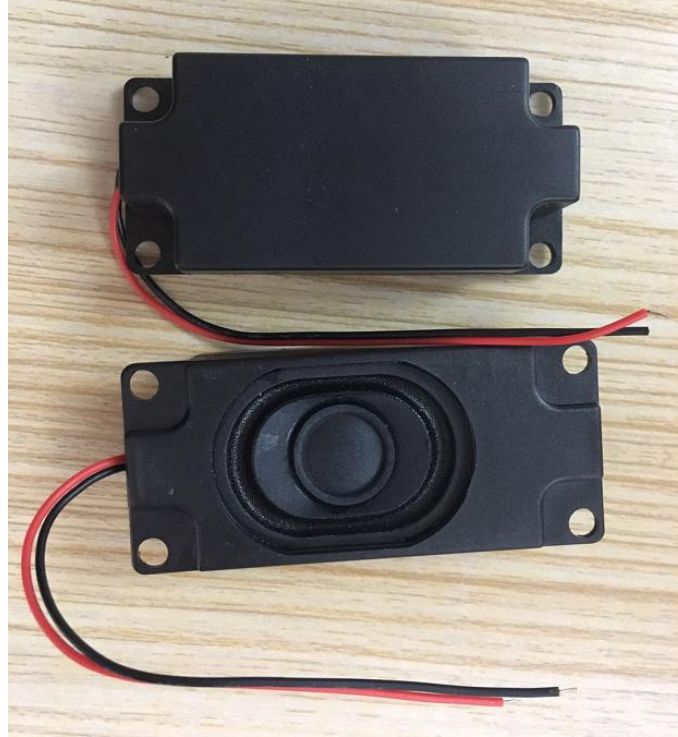
Customer's Part No:

Our Part No: **GSPK4030PN-1M4R3W-L**

SPEKER SPECIFICATION(P6/7)

■ 产品外观图/ DIMENSIONAL DRAWING

尺寸公差: $\pm 0.3\text{mm}$



ITEM	DESCRIPTIONS	SPEC.	SUPPLIER	QTY	REMARK
1	Front foam ring	Adhesive		1	
2	Front cover	1Cr18Ni9		1	
3	Diaphragm	纸		1	
4	Voice coil	Self-bonding wire		1	
5	Inner pole shoe	08F,		1	
6	Magnet	Nd-Fe-B		1	
7	U YOKE	SPCE		1	
8	PCB	T0.3		1	
9	Lead wire			2	
10	Yoke assembly	PBT, black		1	
11	Insulator pad	Mylar		0	

Name

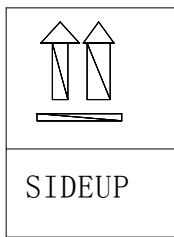
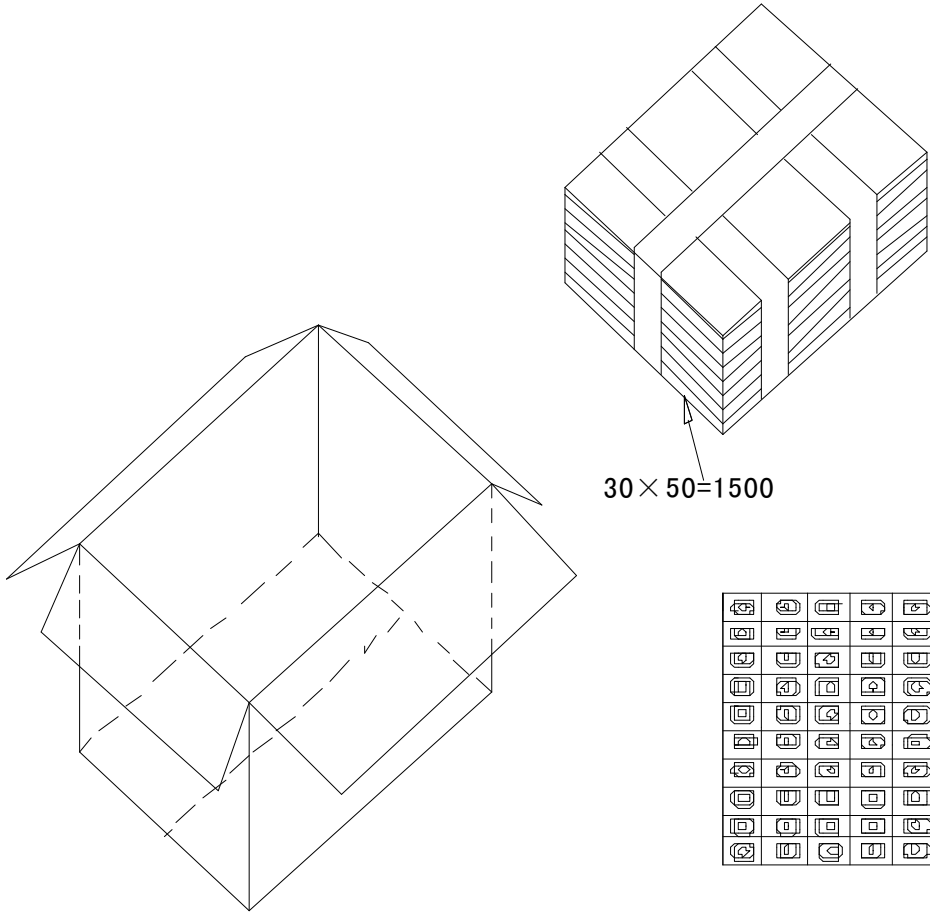
MICRO SPEAKER

Customer's Part No:

Our Part No: **GSPK4030PN-1M4R3W-L**

SPEKER SPECIFICATION(P7/7)

■ 包装明细/Packaging details



DYNAMIC SPEAKERS

TYPE:

QUANTITY: 1500PCS

GROSS WT: 5.5Kg

NET WT: 2.5Kg

CM: 43*28*47 cm

Name

MICRO SPEAKER

Customer's Part No:

Our Part No: **GSPK4030PN-1M4R3W-L**