

PLEASE CHECK WWW.MOLEX.COM FOR LATEST PART INFORMATION

Part Number: [0010112163](#)
Status: **Active**
Overview: [kk](#)
Description: 2.54mm (.100") Pitch KK® Crimp Terminal Housing, High Pressure, 16 Circuits

Documents:

[3D Model](#) [Product Specification PS-7879 \(PDF\)](#)
[Drawing \(PDF\)](#) [RoHS Certificate of Compliance \(PDF\)](#)

Agency Certification

CSA LR19980
 UL E29179

General

Product Family Crimp Housings
 Series [7880](#)
 Overview [kk](#)
 Product Name KK®

Physical

Circuits (maximum) 16
 Color - Resin Natural (White)
 Flammability 94V-0
 Gender Female
 Glow-Wire Compliant No
 Material - Resin Nylon
 Number of Rows 1
 Packaging Type Bag
 Panel Mount No
 Pitch - Mating Interface (in) 0.100 In
 Pitch - Mating Interface (mm) 2.54 mm
 Stackable No
 Temperature Range - Operating 0°C to +75°C

Material Info

Old Part Number 7880-16B

Reference - Drawing Numbers

Product Specification PS-7879
 Sales Drawing SD-7880



EU RoHS

**ELV and RoHS
 Compliant**
REACH SVHC
 Not Reviewed
**Halogen-Free
 Status**

China RoHS



**Need more information on product
 environmental compliance?**

Email productcompliance@molex.com
 For a multiple part number RoHS Certificate of
 Compliance, [click here](#)

Please visit the [Contact Us](#) section for any
 non-product compliance questions.

Search Parts in this Series

[7880Series](#)

Mates With

2.54mm (.100") Pitch KK® Crimp Terminal
 Housing, High Pressure, 16 Circuits

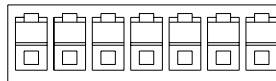
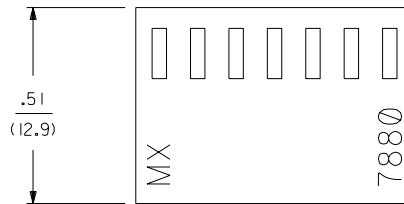
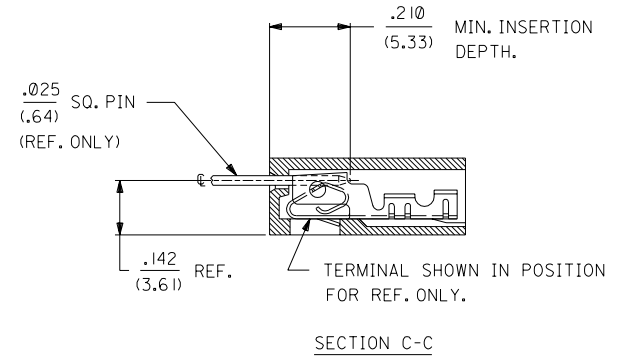
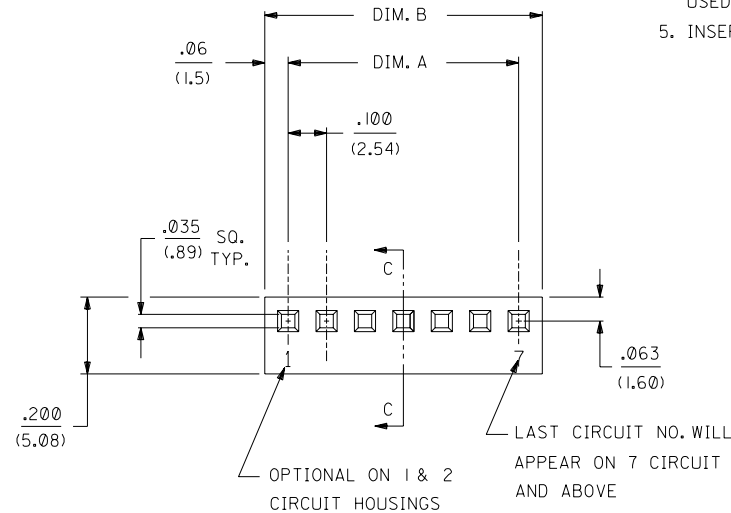
Use With

[7879](#) KK® High Pressure Crimp Terminal

| | 13 | 12 | 11 | 10 | 9 | 8 | 7 | 6 | 7880 | 4 | 3 | 2 | 1 |
|---|---------------|---------------------------|---------------------------|----|---|---|---|---|------|---|---|---|---|
| J | | | | | | | | | | | | | |
| | NO. OF CKT'S. | DIM. A | DIM. B | | | | | | | | | | |
| I | 1 | | .122±.010 (3.10±.25) | | | | | | | | | | |
| | 2 | .100±.004 (2.54±.10) | .222±.010 (5.64±.25) | | | | | | | | | | |
| | 3 | .200±.004 (5.08±.10) | .322±.010 (8.18±.25) | | | | | | | | | | |
| H | 4 | .300±.004 (7.62±.10) | .422±.010 (10.72±.25) | | | | | | | | | | |
| | 5 | .400±.004 (10.16±.10) | .522±.010 (13.26±.25) | | | | | | | | | | |
| | 6 | .500±.005 (12.70±.13) | .622±.010 (15.80±.25) | | | | | | | | | | |
| | 7 | .600±.005 (15.24±.13) | .722±.011 (18.34±.28) | | | | | | | | | | |
| | 8 | .700±.005 (17.78±.13) | .822±.011 (20.88±.28) | | | | | | | | | | |
| G | 9 | .800±.006 (20.32±.15) | .922±.011 (23.42±.28) | | | | | | | | | | |
| | 10 | .900±.006 (22.86±.15) | 1.022±.012 (25.96±.30) | | | | | | | | | | |
| | 11 | 1.000±.006 (25.40±.15) | 1.122±.012 (28.50±.30) | | | | | | | | | | |
| | 12 | 1.100±.006 (27.94±.15) | 1.222±.012 (31.04±.30) | | | | | | | | | | |
| F | 13 | 1.200±.007 (30.48±.18) | 1.322±.012 (33.58±.30) | | | | | | | | | | |
| | 14 | 1.300±.007 (33.02±.18) | 1.422±.013 (36.12±.33) | | | | | | | | | | |
| | 15 | 1.400±.011 (35.56±.28) | 1.522±.013 (38.66±.33) | | | | | | | | | | |
| E | 16 | 1.500±.011 (38.10±.28) | 1.622±.013 (41.20±.33) | | | | | | | | | | |
| | 17 | 1.600±.011 (40.64±.28) | 1.722±.013 (43.74±.33) | | | | | | | | | | |
| | 18 | 1.700±.011 (43.18±.28) | 1.822±.014 (46.28±.36) | | | | | | | | | | |
| D | 19 | 1.800±.011 (45.72±.28) | 1.922±.014 (48.82±.36) | | | | | | | | | | |
| | 20 | 1.900±.011 (48.26±.28) | 2.022±.014 (51.36±.36) | | | | | | | | | | |
| | 21 | 2.000±.012 (50.80±.30) | 2.122±.015 (53.90±.38) | | | | | | | | | | |
| C | 22 | 2.100±.012 (53.34±.30) | 2.222±.015 (56.44±.38) | | | | | | | | | | |
| | 23 | 2.200±.012 (55.88±.30) | 2.322±.015 (59.98±.38) | | | | | | | | | | |
| | 24 | 2.300±.012 (58.42±.30) | 2.422±.016 (61.52±.41) | | | | | | | | | | |
| | 25 | 2.400±.013 (60.96±.33) | 2.522±.016 (64.06±.41) | | | | | | | | | | |
| B | 26 | 2.500±.013 (63.50±.33) | 2.622±.016 (66.60±.41) | | | | | | | | | | |
| | 27 | 2.600±.013 (66.04±.33) | 2.722±.016 (69.14±.41) | | | | | | | | | | |
| A | 28 | 2.700±.013 (68.58±.33) | 2.822±.017 (71.68±.43) | | | | | | | | | | |

NOTES:

1. DIMENSIONS GIVEN ACROSS CENTERLINES ARE SYMMETRICAL ABOUT THOSE CENTERLINES WITHIN HALF THE TOTAL TOLERANCES.
2. THIS HOUSING FOR USE WITH SHROUDED TERMINAL 7879.
3. THIS PRODUCT COMPLIES WITH MOLEX PRODUCT SPEC. NO. 7879.
4. SPECIAL SUPPORT MAY BE REQUIRED FOR PRINTED CIRCUIT BOARDS USED WITH 10 OR MORE CIRCUIT CONNECTORS.
5. INSERTION AND WITHDRAWL FORCES RANGE FROM 1.3 TO 1.9 POUNDS PER CIRCUIT.



7880 - N * - *

NO. OF CKTS.

VOID CODE
NO. CORRESPONDS TO
CKT. NO. VOIDED.
MULT. VOIDS START WITH 51.

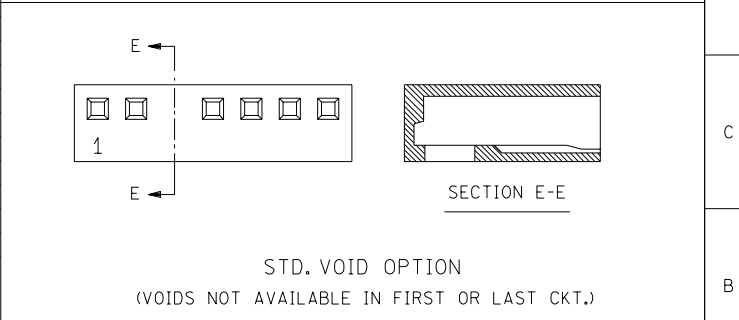
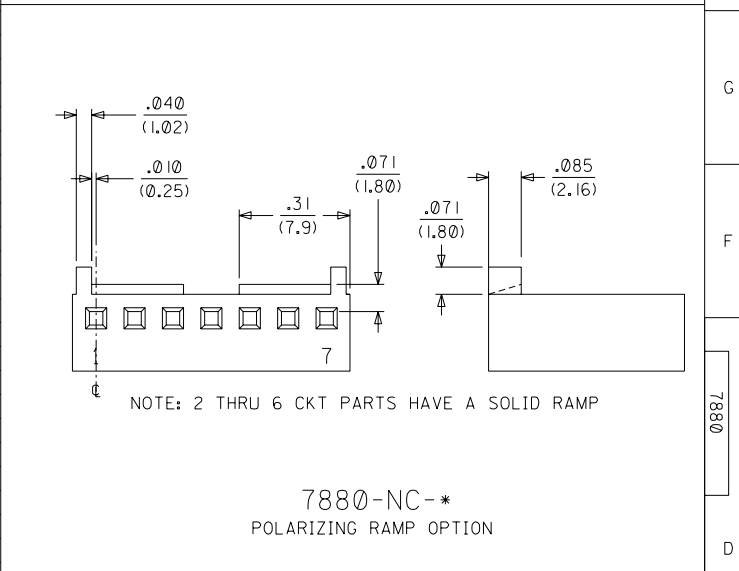
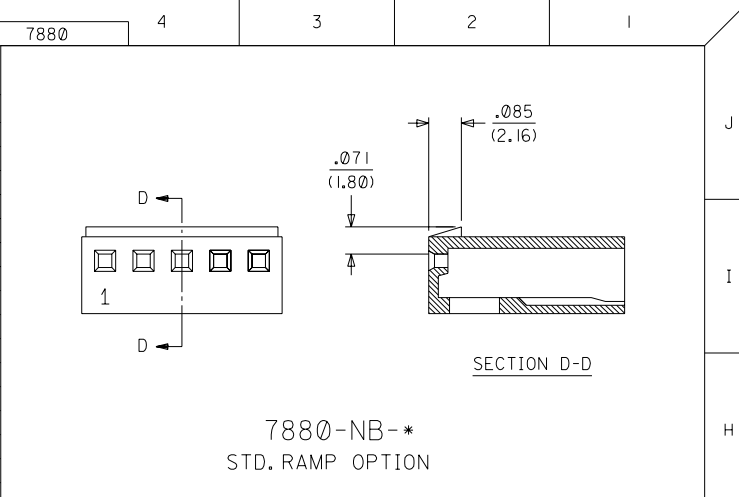
| OPTION CODE | | |
|-------------|-----------|---------------------------|
| OPT. CODE | RAMP | MATERIAL |
| A | NONE | NYLON, 94V-0, COLOR-WHITE |
| B | STD. RAMP | NYLON, 94V-0, COLOR-WHITE |
| C | POL. RAMP | NYLON, 94V-0, COLOR-WHITE |

| | | | |
|--|--------------------------|---|-----------|
| DIMENSIONS SHOWN (METRIC) INCH UNLESS OTHERWISE SPECIFIED TOLERANCES: ANGULAR ± 1/2° | | ▽ = 0 ▼ = 0 REVISE ONLY ON CAD SYSTEM | |
| 3 PLACE ± .010 --- | | TITLE (2.54)/.100 KK, HOUSING FOR SHROUDED CRIMP TYPE TERMINAL | |
| 2 PLACE ± .014 ± 0.25 | | MOLEX INCORPORATED SHEET NO. DATE U.S.A. 1 OF 2 08/24/88 | |
| 1 PLACE --- ± 0.35 | | PART NO. DRWG. NO. SEE CHART SD-7880 | |
| DRAWING INFORMATION | | THIS DRAWING CONTAINS INFORMATION THAT IS PROPRIETARY TO MOLEX INC. AND SHOULD NOT BE USED WITHOUT WRITTEN PERMISSION. | |
| DRWG. BY: GUZIK | CHK'D. BY: PATEL | FILE NAME | DIV. SIZE |
| APP'D. BY: LENZ | SCALE : | | |
| LTR. REVISIONS | LTR. REVISIONS | | |
| | ADD REGRIND UCP2003-1447 | | |
| | 12/26/2002 SAMIEC | | |

| | |
|---|-----|
| 2 | L |
| 1 | L I |

MFG. SH. REV.

| 7880-NA-* | | | 7880-NB-* | | | 7880-NC-* | | |
|------------|----------|-----------|------------|------------|-----------|------------|----------|-----------|
| PART NO. | ENG. NO. | VOID CKT. | PART NO. | ENG. NO. | VOID CKT. | PART NO. | ENG. NO. | VOID CKT. |
| 10-01-2019 | 7880-1A | | 10-11-2013 | 7880-1B | | N/A | 7880-1C | |
| 10-01-2029 | 7880-2A | | 10-11-2023 | 7880-2B | | 10-11-2024 | 7880-2C | |
| 10-01-2039 | 7880-3A | | 10-11-2033 | 7880-3B | | 10-11-2034 | 7880-3C | |
| 10-01-2049 | 7880-4A | | 10-11-2043 | 7880-4B | | 10-11-2044 | 7880-4C | |
| 10-01-2059 | 7880-5A | | 10-11-2053 | 7880-5B | | 10-11-2054 | 7880-5C | |
| 10-01-2069 | 7880-6A | | 10-11-2063 | 7880-6B | | 10-11-2064 | 7880-6C | |
| 10-01-2079 | 7880-7A | | 10-11-2073 | 7880-7B | | 10-11-2074 | 7880-7C | |
| 10-01-2089 | 7880-8A | | 10-11-2083 | 7880-8B | | 10-11-2084 | 7880-8C | |
| 10-01-2099 | 7880-9A | | 10-11-2093 | 7880-9B | | 10-11-2094 | 7880-9C | |
| 10-01-2109 | 7880-10A | | 10-11-2103 | 7880-10B | | 10-11-2104 | 7880-10C | |
| 10-01-2119 | 7880-11A | | 10-11-2113 | 7880-11B | | 10-11-2114 | 7880-11C | |
| 10-01-2129 | 7880-12A | | 10-11-2123 | 7880-12B | | 10-11-2124 | 7880-12C | |
| 10-01-2139 | 7880-13A | | 10-11-2133 | 7880-13B | | 10-11-2134 | 7880-13C | |
| 10-01-2149 | 7880-14A | | 10-11-2143 | 7880-14B | | 10-11-2144 | 7880-14C | |
| 10-01-2159 | 7880-15A | | 10-11-2153 | 7880-15B | | 10-11-2154 | 7880-15C | |
| 10-01-2169 | 7880-16A | | 10-11-2163 | 7880-16B | | 10-11-2164 | 7880-16C | |
| 10-01-2179 | 7880-17A | | 10-11-2173 | 7880-17B | | 10-11-2174 | 7880-17C | |
| 10-01-2189 | 7880-18A | | 10-11-2183 | 7880-18B | | 10-11-2184 | 7880-18C | |
| 10-01-2199 | 7880-19A | | 10-11-2193 | 7880-19B | | 10-11-2194 | 7880-19C | |
| 10-01-2209 | 7880-20A | | 10-11-2203 | 7880-20B | | 10-11-2204 | 7880-20C | |
| 10-01-2219 | 7880-21A | | 10-11-2213 | 7880-21B | | 10-11-2214 | 7880-21C | |
| 10-01-2229 | 7880-22A | | 10-11-2223 | 7880-22B | | 10-11-2224 | 7880-22C | |
| 10-01-2239 | 7880-23A | | 10-11-2233 | 7880-23B | | 10-11-2234 | 7880-23C | |
| 10-01-2249 | 7880-24A | | 10-11-2243 | 7880-24B | | 10-11-2244 | 7880-24C | |
| 10-01-2259 | 7880-25A | | 10-11-2253 | 7880-25B | | 10-11-2254 | 7880-25C | |
| 10-01-2269 | 7880-26A | | 10-11-2263 | 7880-26B | | 10-11-2264 | 7880-26C | |
| 10-01-2279 | 7880-27A | | 10-11-2273 | 7880-27B | | 10-11-2274 | 7880-27C | |
| 10-01-2289 | 7880-28A | | 10-11-2283 | 7880-28B | | 10-11-2284 | 7880-28C | |
| | | | 10-11-2052 | 7880-5B-2 | 2 | | | |
| | | | 10-11-2092 | 7880-9B-2 | 2 | | | |
| | | | 10-11-2105 | 7880-10B-4 | 4 | | | |



| | |
|----------------|----------------|
| SEE SHEET I | SEE SHEET I |
| SEE SHEET I | SEE SHEET I |
| SEE SHEET I | SEE SHEET I |
| SEE SHEET I | SEE SHEET I |
| SEE SHEET I | L SEE SHEET I |
| SEE SHEET I | K3 SEE SHEET I |
| SEE SHEET I | H SEE SHEET I |
| LTR. REVISIONS | LTR. REVISIONS |

DIMENSIONS SHOWN (METRIC) INCH
UNLESS OTHERWISE SPECIFIED
TOLERANCES: ANGULAR ± 1/2°

| | INCH | METRIC |
|---------|--------|--------|
| 3 PLACE | ± .010 | |
| 2 PLACE | ± .014 | ± 0.25 |
| 1 PLACE | | ± 0.36 |

DRAFT WHERE APPLICABLE MUST REMAIN WITHIN DIMENSIONS

DRWG. BY: GUZIK CHK'D. BY: PATEL
APP'D. BY: LENZ SCALE: :

THIS DRAWING CONTAINS INFORMATION THAT IS PROPRIETARY TO MOLEX INC. AND SHOULD NOT BE USED WITHOUT WRITTEN PERMISSION

REVISE ONLY ON CAD SYSTEM

TITLE: (2.54)/.100 KK, HOUSING FOR SHROUDED CRIMP TYPE TERMINAL

MOLEX INCORPORATED U.S.A. SHEET NO. 2 DATE 08/24/88

PART NO. SD-7880 DRWG. NO. SD-7880