

## SMD RF Manual Tunable Inductor 2612

- ◆ Operated frequency: 30~430 MHz
- ◆ Q value: 85(no core) , 56(full core)
- ◆ Inductance tuning range: 84 to 110(nH)
- ◆ Core material: Aluminum
- ◆ SRF: 640MHz
- ◆ Operating temperature: -40 ~+125
- ◆ Rotation times(min): 100



### Features

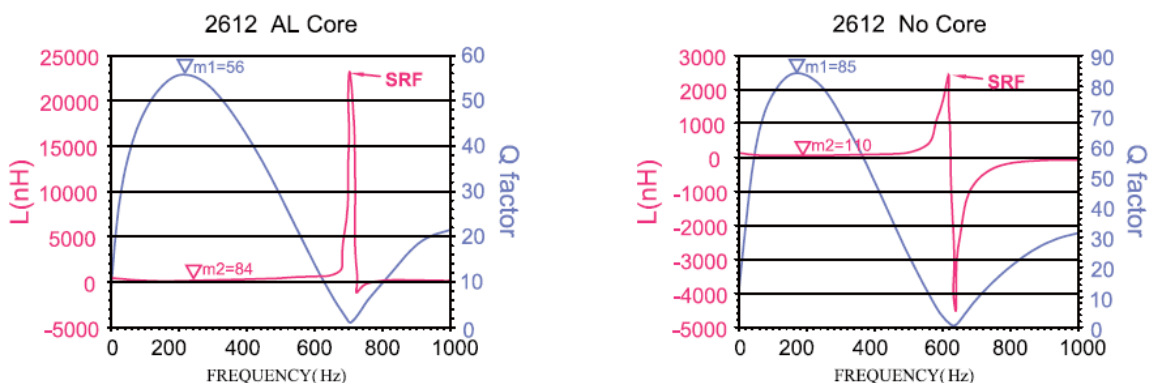
- SMD package
- High temperature resistance, operating reliably from -40 ~125 and in other harsh environment
- Hermetic microstrip circuit, reliable and stable over temperature and humidity changes.
- High Q value, linear tunable, available in increasing or decreasing inductance value
- Built with advanced multi-layer processing, high consistence and high reliability in manufacturing, contributing to good consistence in tuning resonant circuit
- Anti-interference with non-magnetic core, no interference with other devices
- Small size: 5 × 5 × 2.5(mm)
- Termination leads: RoHS compliant, tin or gold over copper
- Low cost, high performance

### Applications

- Super Regenerative Receiver Module
- RF Impedance Matching
- Tunable Antennas
- Tuning Resonant Circuit
- Tunable Filter
- Phase Shifter
- Phased Array Radar
- MRI(Magnetic Resonance Imaging)
- NMR(Nuclear Magnetic Resonance)
- Crystal Oscillator
- Broadband Antenna

### Characteristic

Typical Q and L vs frequency



型号	No core		At L max		At L min		Freq at max Q (MHz)	Freq Range at 1/2 Qmax	No core SRF min(MHz)	Irms (A)
	L(nH)	Qmin	L(nH)	Qmin	L(nH)	Qmin				
2612	110	85	110	85	84	56	200	30~430	640	1.4

### Notes:

1. Operating frequency is based on the half of the maximum Q value.

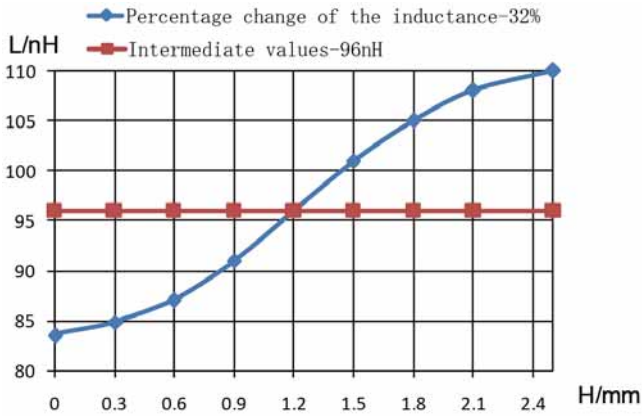
Yantel Corporation

Add : 3F, Building 3, Southern District 2 of ZhongGuan Honghualing Industrial Park, Xili, Nanshan, Shenzhen, China

Tel : 86-755-8355-1886 Fax : 86-755-8355-2533

For detailed performance specs & shopping online see Yantel web site : [www.yantel-corp.com](http://www.yantel-corp.com)

### Inductance VS The height of the core rotation

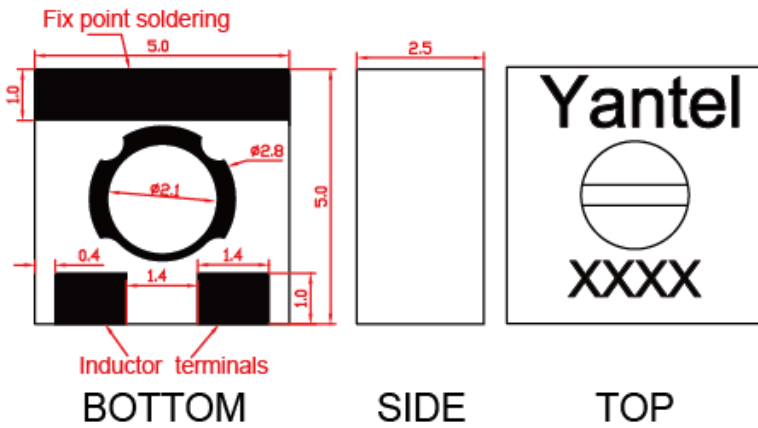


### Notes

- H represents the height of Al core rotation, H max=2.5mm.
- Inductance changes around the intermediate value.

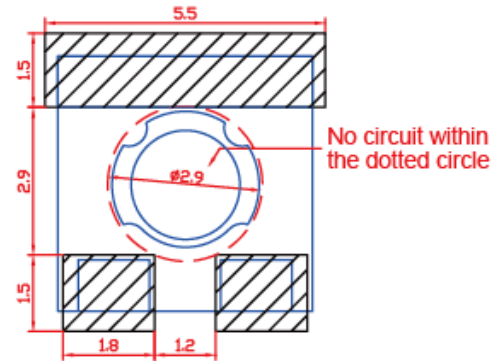
### Package Outlines

All dimensions shown in mm unless stated otherwise



### Recommended Layout

All dimensions shown in mm unless stated otherwise



### Tape and Reel Drawing

