



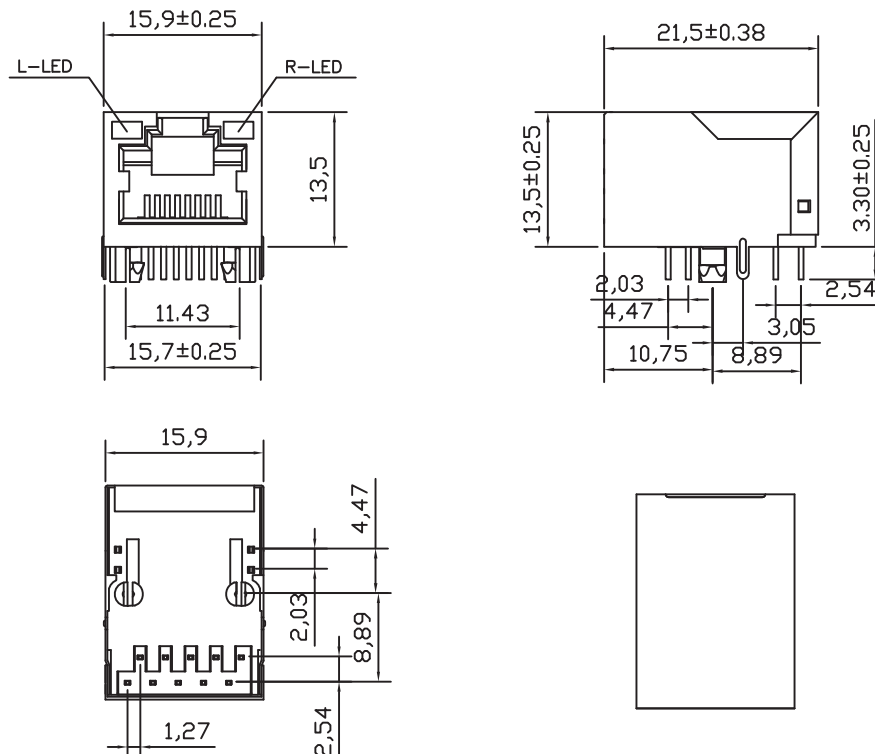
- 10/100 Base-T Ethernet Application
- Impedance: 100OHMS
- RJ45 jack cavity conforms to FCC rules and regulations Part 68, SUB Part F
- Standard Operating Temp: 0°C to +70°C
- Available in other Circuit Designs
- Optional Gold Plating Thickness
- Other LED Patterns available

| Electrical Specifications @ 25°C | | | | | | |
|----------------------------------|-------------------------------|-------------------------------------|----------------------------|-------------------------|--------------------|----------|
| Part Number | OCL(uH Min) @ 100kHz, 0.1V | Turns Ratio chip: cable (±2%) | Insertion Loss (dB Max) | Return Loss (dB Min) | | |
| | With 8mA DC Bias | | 1-100MHz | 1-30MHz | 30-60MHz | 60-80MHz |
| AR11-3837 | 350 | 1CT:1CT | -1.0 | -18 | -18-20Log(F/30MHz) | -12 |

| Electrical Specifications @ 25°C | | | | | | | | | | | | | | | | |
|----------------------------------|-------|-------|-------|--------|-----------------|-------|-------|-------|--------|------------------|-------|-------|-------|--------|------------------|--|
| Cross Talk (dB Min) | | | | | CMR (dB Min) | | | | | CDMR (dB Min) | | | | | HI-POT (Vrms) | |
| 0.5-1MHz | 10MHz | 30MHz | 50MHz | 100MHz | 0.3-1MHz | 10MHz | 30MHz | 60MHz | 100MHz | 0.3-1MHz | 10MHz | 30MHz | 60MHz | 100MHz | 1.0mA/3Sec. | |
| -50 | -50 | -40 | -35 | -30 | -50 | -47 | -42 | -37 | -30 | -50 | -50 | -50 | -45 | -40 | 1500 | |

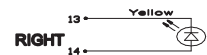
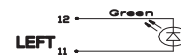
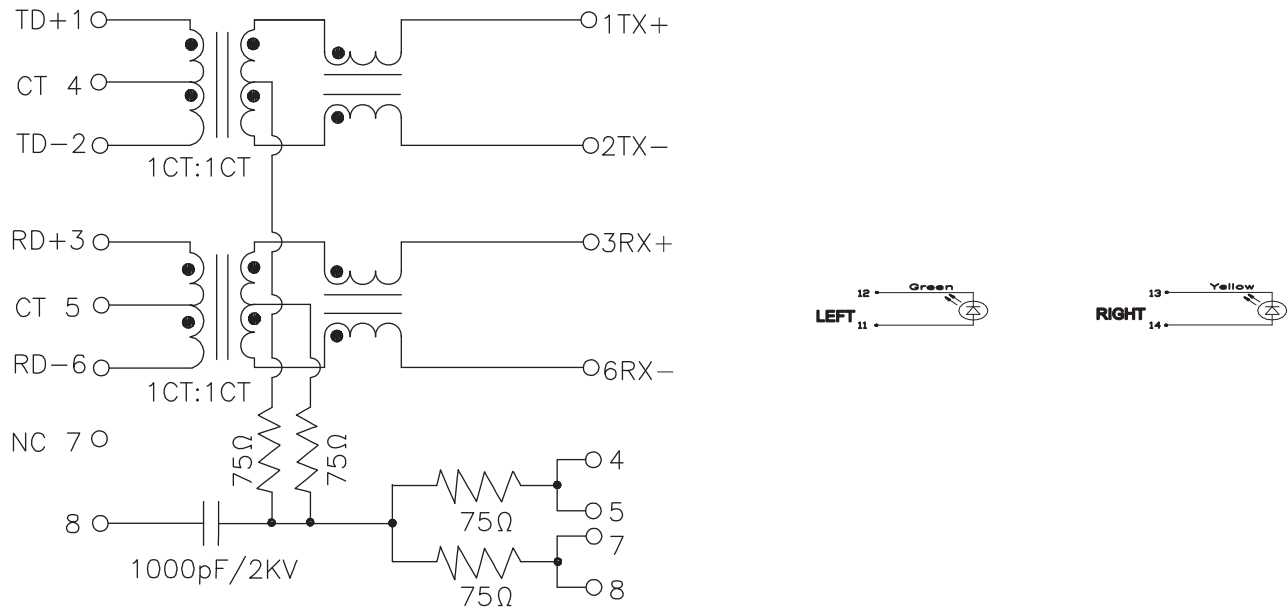
All specifications subject to change without notice.

MECHANICAL

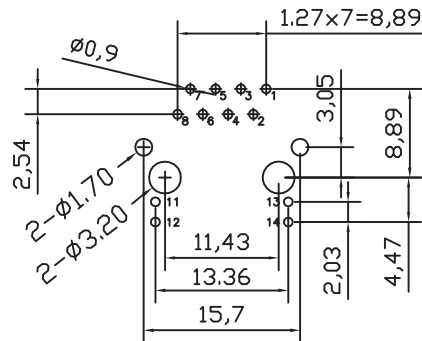




SCHEMATICS



PCB LAYOUT



NOTES

1. Shield- 0.20mm THICKNESS BRASS C2680 H. PLATING NICKEL 30u"-50u"
2. Housing- Standard Material Nylon66, Glass filled Polyester UL94V-0 Standard Color Black.
3. RJ Terminal- Plastic: PBT GF, UL94V-0, Standard Color Black.
Pin: 0.35mm Thickness Phos-Bronze C5210 EH. Plating: Nickel 40u"-60u" for all and Sn 100%, and 15u" Gold Plating.
4. Input Terminal: PBT, Glass Filled, UL94V-0, Standard Color Black.
Pin: 0.35mm Thickness Phos-Bronze C2680. Plating: Nickel 40u"-60u" for all and Sn 100%.