



DTM-SX-SP

15W



FEATURES:

- Universal input 90~264V AC
- Over load, short circuit protection. Auto recovery start up
- AC inlet IEC 320~C14
- With LED indicator
- UL, cUL, TUV, CB, CE approved



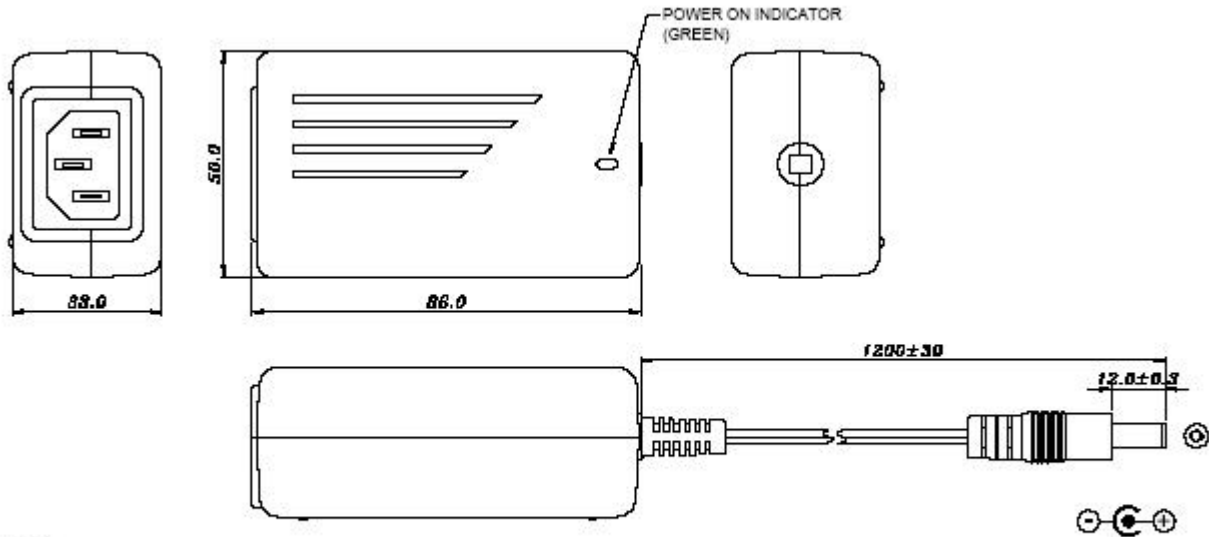
MODEL/CHANNEL		Unit	DTM15-05 SX-SP	DTM15-7.5 SX-SP	DTM15-09 SX-SP	DTM15-12 SX-SP
OUTPUT	Output Voltage	Vdc	5	7.5	9	12
	Output Current	A	2.5	2.0	1.67	1.25
	Ripple & Noise(max) *3	mV	50	75	90	120
	Efficiency	W	70	73		
	Max Power	W	12.5	15		
	O/P Regulation	%	±5%			
	Rise Up Time	%	<50mS			
	Hold Up Time	V	>20mS@230V			
MODEL/CHANNEL		Unit	DTM15-15 SX-SP	DTM15-18 SX-SP	DTM15-24 SX-SP	
	Output Voltage	Vdc	15	18	24	
	Output Current	A	1.0	0.84	0.63	
	Ripple & Noise(max) *3	mV	150			
INPUT	Input Voltage	Vac	90-264Vac			
	Input Current	A	0.5A max @ 100V AC input			
	Inrush Current	-	<30A@115V AC / <45A@230V		AC input. Cold start at 25°C ambient	
	Leakage Current	-	<0.5mA@264V AC input			
	Frequency	-	47-63Hz			
Protection	Over Load Protection	-	+5.8~7.0	+8.6~10.5	+10.4~12.6	+13.8~17.5
	Over Voltage Protection	-	+17.3~21.0	+20.7~25.2	+27.6~33.6	
	Short circuit protection	-	Hiccup, recovers automatically after fault condition has been removed			
Environmental Agencies	Safety	-	UL 1950 3rd, CSA C22.2 No.950-95 3 rd, TUV EN 60950, IEC 60950, EMKO-TSE (74-SEC)207/94 approved.			
	EMC Standards EMI	-	EN 55022 : EN 61000-3-2,3 · FCC CFR 47 PART15 CLASS B · CNS13438 CALSS B.			
	EMF	-	EN 55024 : EN-61000-4-2,3,4,5,6,8,11			
	MTBF	-	550K hours			
Environment	Operating Temperature	-	0 to +55°C ambient			
	Operating Humidity	-	20% ~ 95%			
	Storage Humidity	-	10%~95% (non condensing)			
	Derating Curve	-	43°C~55°C: 2.5%/°C.			
	Storage Temperature	-	-10 to +75°C ambient			
	Cooling	-	Natural Cooling			
Dimension	Size(WxHxD) / Weight	mm/g	86 x 50 x 33 mm[3.39 x 1.97 x 1.30 inch]			





MECHANICAL DIMENSIONS

15W



NOTE :

1. ENCLOSURE COLOR : BLACK.
2. AC INLET : IEC 320 C14 STANDARD.
3. DC PLUG. (I.D.=2.5mm ; O.D.=5.5mm)
4. UNIT : mm.

