

THIS DRAWING IS UNPUBLISHED.

RELEASED FOR PUBLICATION

2011

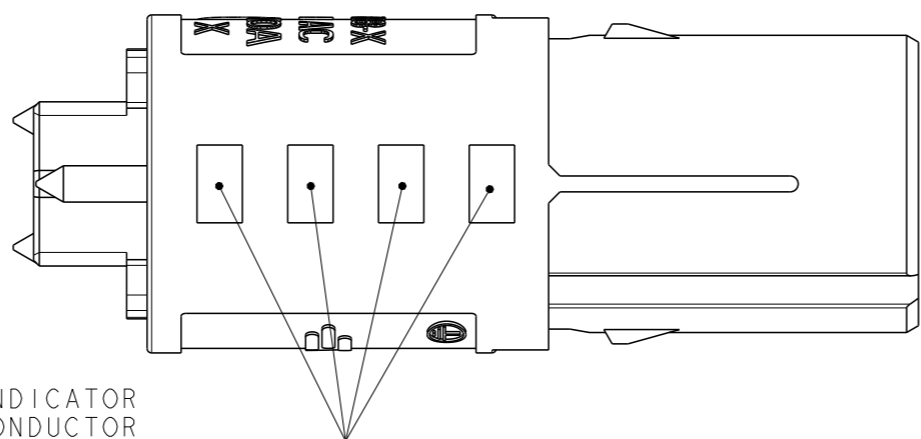
LOC

DIST

REVISIONS

© COPYRIGHT 2011 BY - ALL RIGHTS RESERVED.

P	LTR	DESCRIPTION	DATE	DWN	APVD
	E	UPDATED	20FEB2013	MZ	JC
	F	PARTS -1, -2, -3 RELEASED FOR PRODUCTION	27JUN2013	KR	JC

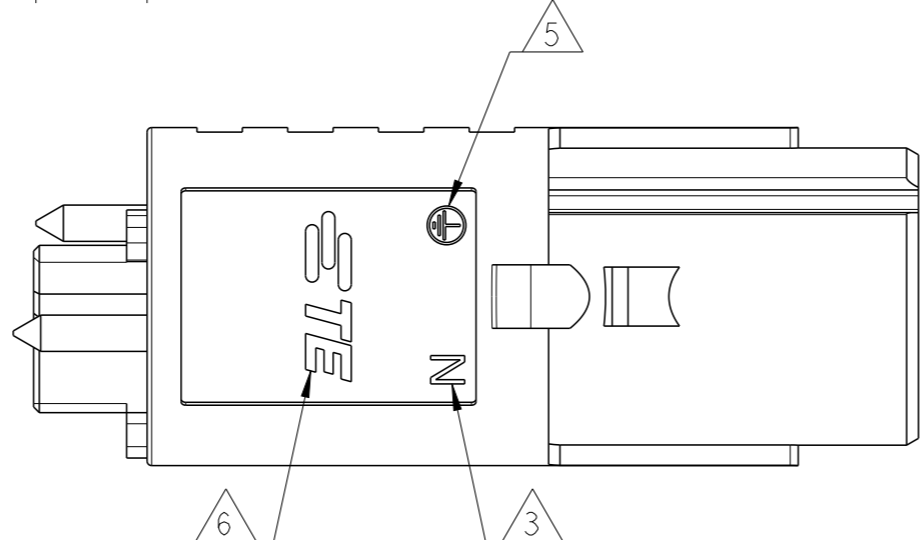
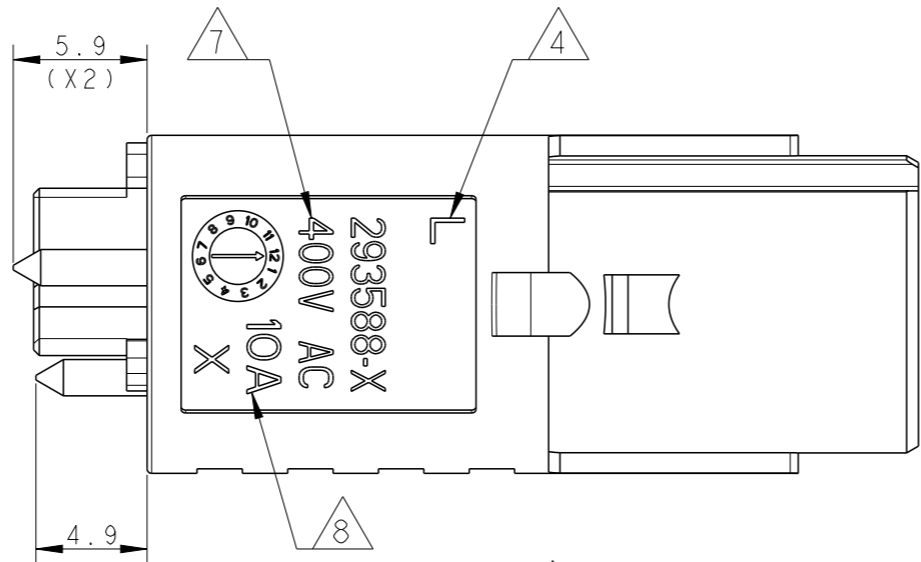
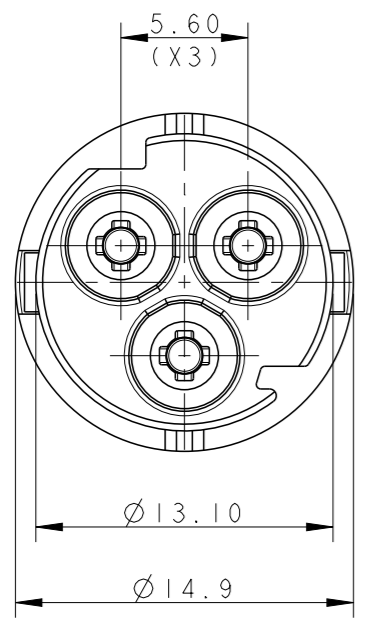


VISUAL INDICATOR FOR PE CONDUCTOR

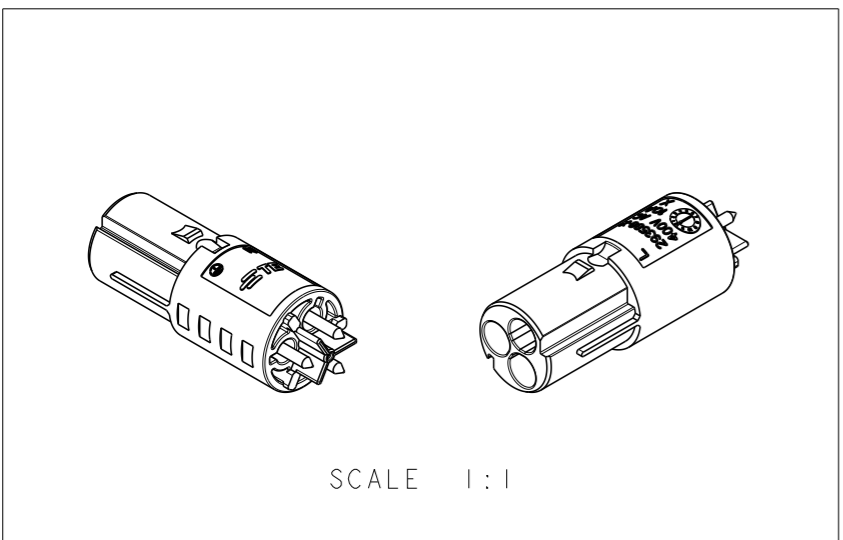
NOTES:

- 1) MATERIAL: POLYAMIDE GLASS FILLED
COLOUR NATURAL
- 2) PACKAGING: SEE TE PACKAGING SPECIFICATION
107-20294

- △3 N CODE
- △4 L CODE
- △5 PE CODE
- △6 TE LOGO
- △7 RATED VOLTAGE
- △8 RATED CURRENT
- △9 PART NOT YET RELEASED FOR PRODUCTION



NOTE	COLOUR	POL. KEYING	DESCRIPTION	REV.	PART NUMBER
△9	NATURAL	F	PIN CONNECTOR PCB 90 DEG NECTOR* M-LINE	E	293590-6
△9	NATURAL	E	PIN CONNECTOR PCB 90 DEG NECTOR* M-LINE	E	293590-5
△9	NATURAL	D	PIN CONNECTOR PCB 90 DEG NECTOR* M-LINE	E	293590-4
	NATURAL	C	PIN CONNECTOR PCB 90 DEG NECTOR* M-LINE	F	293590-3
	NATURAL	B	PIN CONNECTOR PCB 90 DEG NECTOR* M-LINE	F	293590-2
	NATURAL	A	PIN CONNECTOR PCB 90 DEG NECTOR* M-LINE	F	293590-1



THIS DRAWING IS A CONTROLLED DOCUMENT.

DIMENSIONS:		TOLERANCES UNLESS OTHERWISE SPECIFIED:	
mm			
0 PLC	±		
1 PLC	±0.3		
2 PLC	±0.20		
3 PLC	±		
4 PLC	±		
ANGLES	±3°		
MATERIAL	-	FINISH	-

DWN	M. ZUCCA	28OCT2009
CHK	M. ZUCCA	28OCT2009
APVD	G. TURCO	28OCT2009
PRODUCT SPEC	108-20304	
APPLICATION SPEC	114-20152	
WEIGHT	-	

STE TE Connectivity

NAME
PIN CONNECTOR PCB VERTICAL VERSION NECTOR* M-LINE 3 POS. UNSEALED

SIZE	CAGE CODE	DRAWING NO	RESTRICTED TO
A3	00779	C-293590	-

Customer Drawing SCALE 3:1 SHEET 1 OF 3 REV F

THIS DRAWING IS UNPUBLISHED.

RELEASED FOR PUBLICATION

2011

© COPYRIGHT 2011 BY -

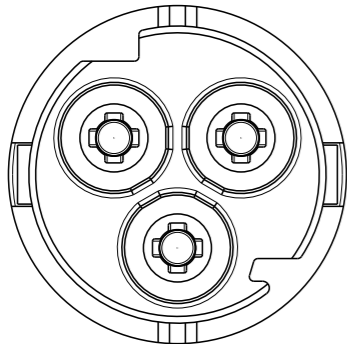
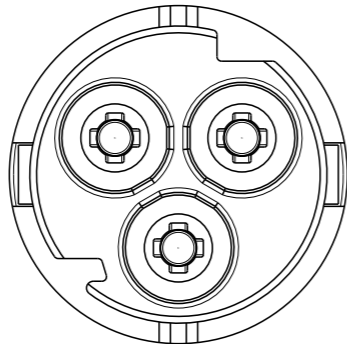
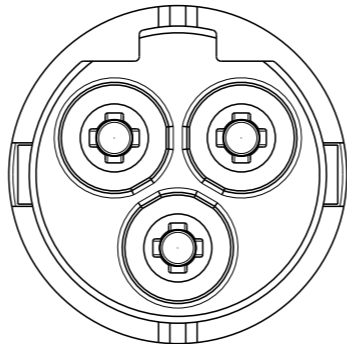
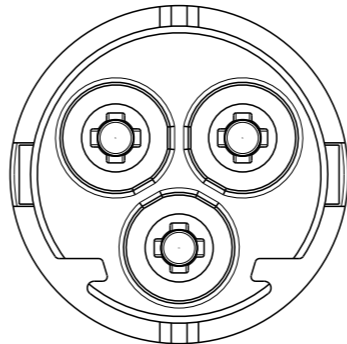
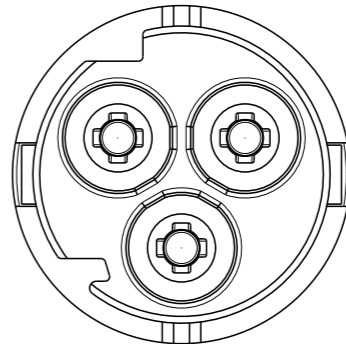
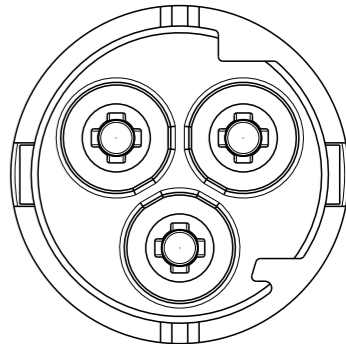
ALL RIGHTS RESERVED.

LOC 1 DIST -

REVISIONS

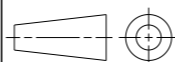
P	LTR	DESCRIPTION	DATE	DWN	APVD
-		SEE SHEET 1	-	-	-

POLARIZATION KEYS

TYPE "A"	TYPE "B"	TYPE "C"	TYPE "D"	TYPE "E"	TYPE "F"
P/N 293590-1 AS SHOWN	P/N 293590-2 AS SHOWN	P/N 293590-3 AS SHOWN	P/N 293590-4 AS SHOWN	P/N 293590-5 AS SHOWN	P/N 293590-6 AS SHOWN
					

THIS DRAWING IS A CONTROLLED DOCUMENT.

DIMENSIONS:
mm



TOLERANCES UNLESS OTHERWISE SPECIFIED:

- 0 PLC ±-
- 1 PLC ±0.3
- 2 PLC ±0.20
- 3 PLC ±-
- 4 PLC ±-
- ANGLES ±3°

MATERIAL -

FINISH -

DWN M. ZUCCA 28OCT2009

CHK M. ZUCCA 28OCT2009

APVD G. TURCO 28OCT2009

PRODUCT SPEC 108-20304

APPLICATION SPEC 114-20152

WEIGHT -

Customer Drawing



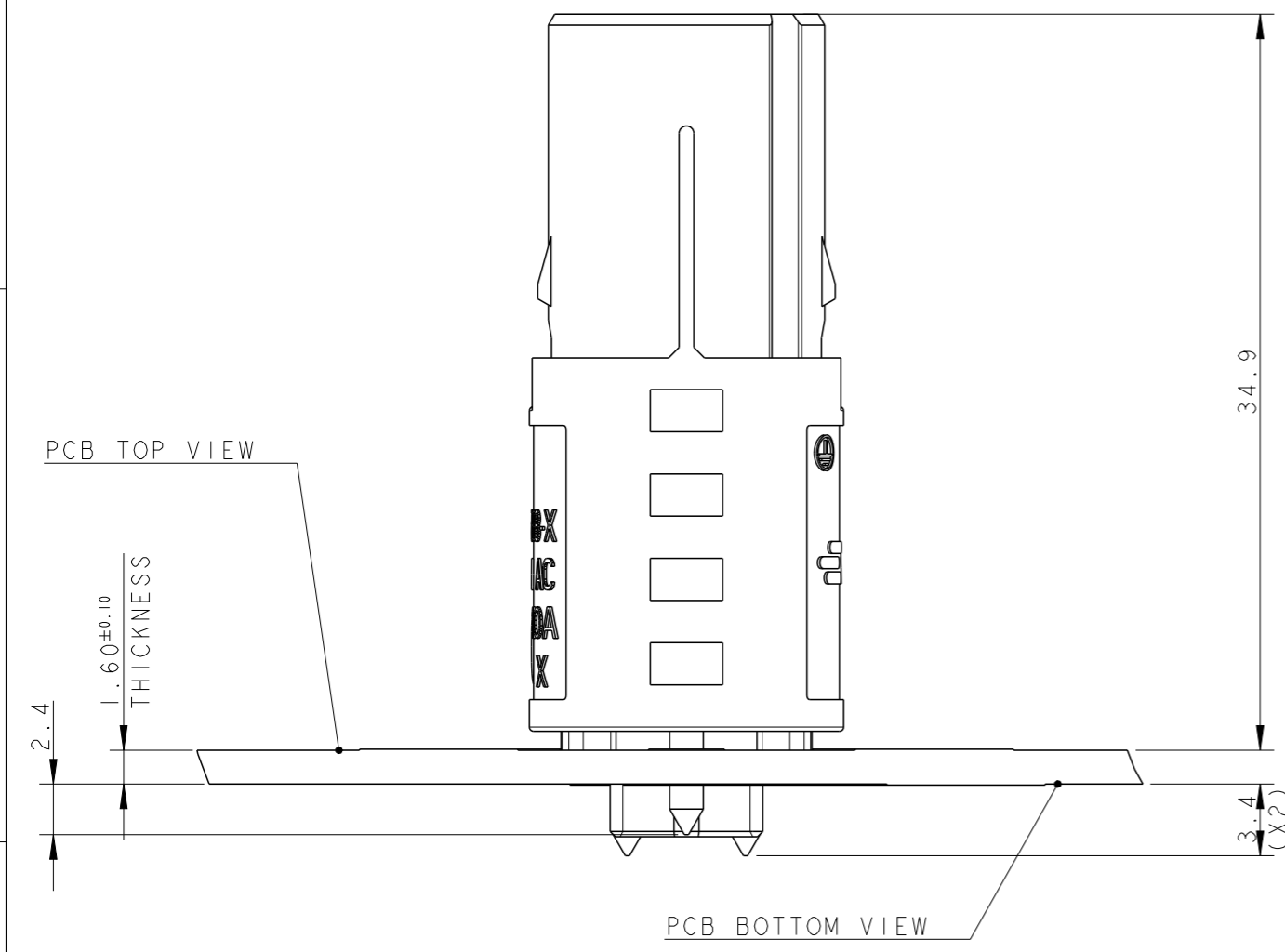
NAME
PIN CONNECTOR PCB
VERTICAL VERSION
NECTOR* M-LINE 3 POS. UNSEALED

SIZE CAGE CODE DRAWING NO RESTRICTED TO

A300779 C-293590

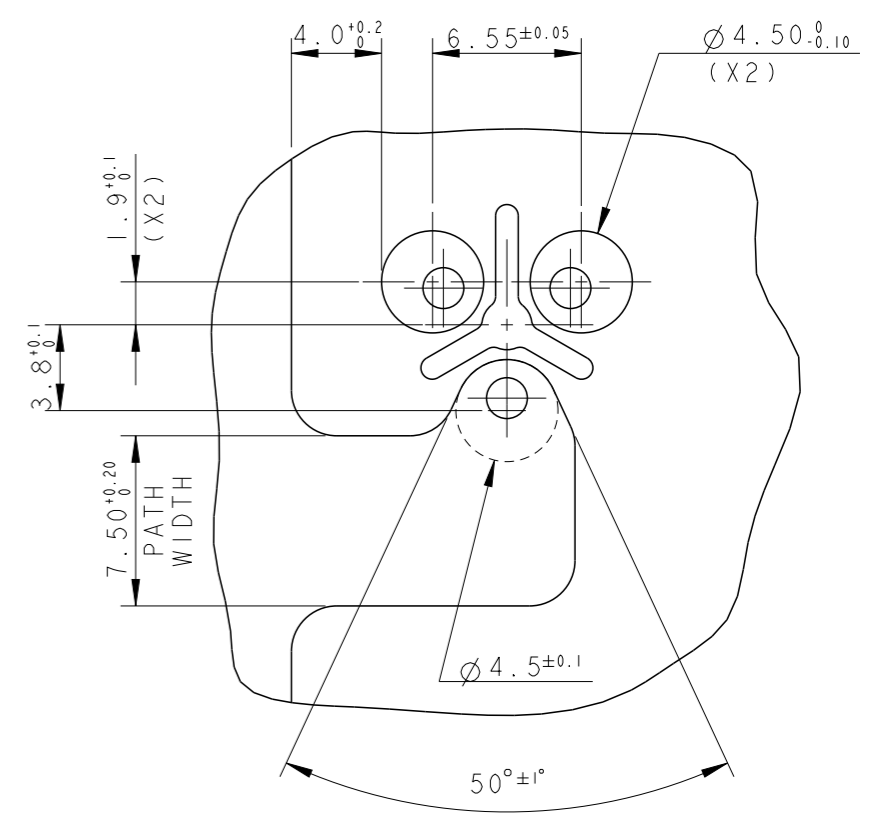
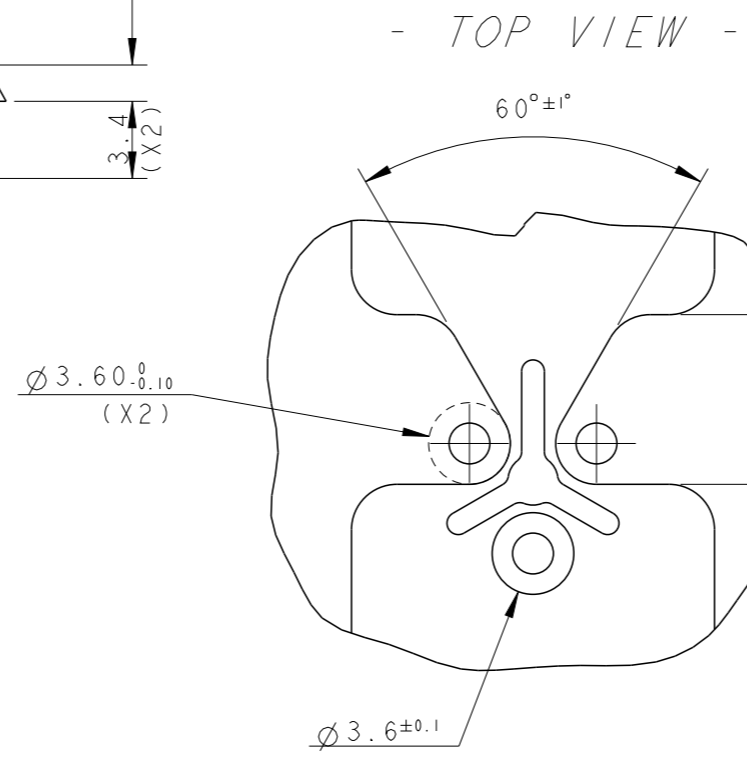
SCALE 3:1 SHEET 2 OF 3 REV F

LOC	DIST	REVISIONS					
		P	LTR	DESCRIPTION	DATE	DWN	APVD
1	-	-	-	SEE SHEET 1	-	-	-

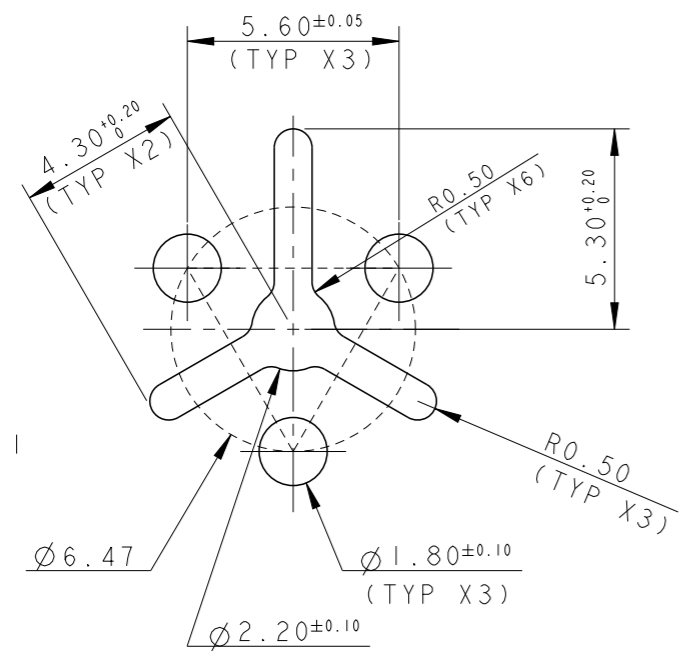


SUGGESTED L, N AND PE TRACKS LAYOUT ON PCB


- BOTTOM VIEW -



SUGGESTED PCB LAYOUT



SCALE 5:1

THIS DRAWING IS A CONTROLLED DOCUMENT.		DWN M. ZUCCA 28OCT2009	 TE Connectivity	
DIMENSIONS: mm		CHK M. ZUCCA 28OCT2009		
TOLERANCES UNLESS OTHERWISE SPECIFIED:		APVD G. TURCO 28OCT2009	NAME PIN CONNECTOR PCB VERTICAL VERSION NECTOR* M-LINE 3 POS. UNSEALED	
0 PLC ±- 1 PLC ±0.3 2 PLC ±0.20 3 PLC ±- 4 PLC ±- ANGLES ±3°		PRODUCT SPEC 108-20304	SIZE A300779	
MATERIAL -		APPLICATION SPEC 114-20152	DRAWING NO C-293590	
FINISH -		WEIGHT -	RESTRICTED TO -	
		Customer Drawing	SCALE 3:1	SHEET 3 OF 3
				REV F