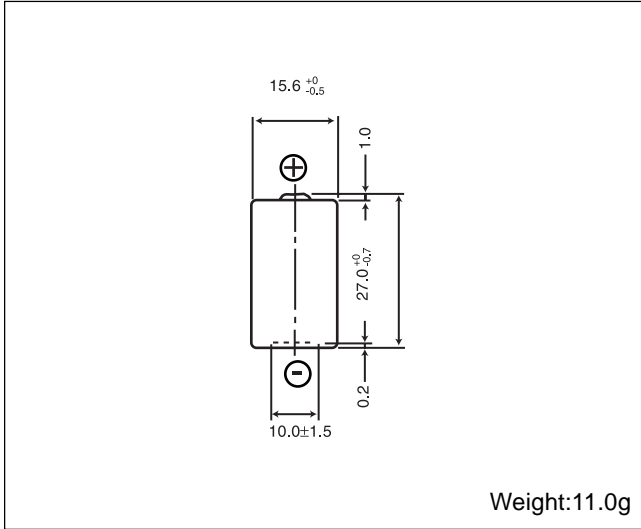


Manganese Dioxide Lithium Cylindrical Batteries: Individual Specifications

CR2

■ Dimensions(mm)

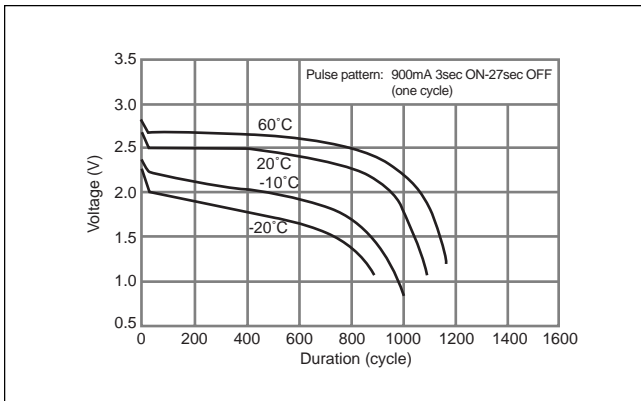


■ Specification

| | |
|-------------------------------|------------|
| Nominal voltage (V) | 3 |
| Nominal capacity (mAh) | 850 |
| Continuous standard load (mA) | 20 |
| Operating temperature (C) | -40 ~ +70* |

* Please consult Panasonic for use below and above -20°C to +60°C

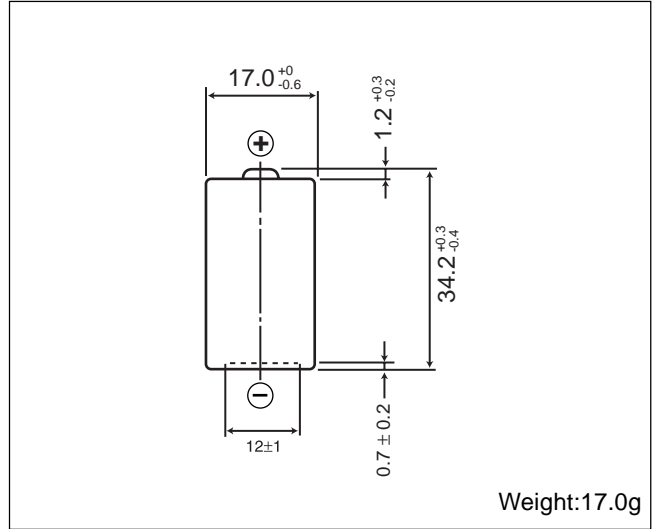
■ Temperature Characteristics



* Please consult Panasonic for use below and above -20°C to +60°C

CR123A

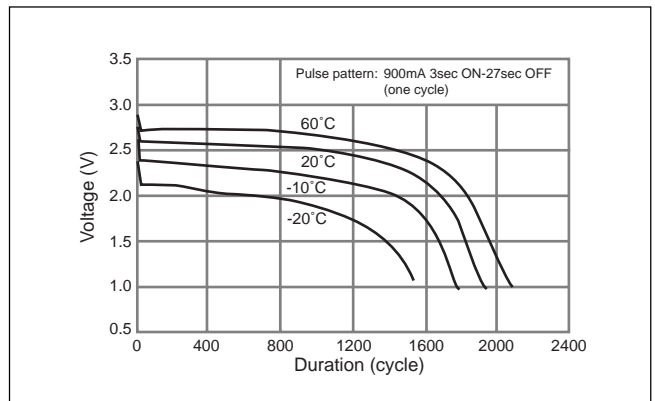
■ Dimensions(mm)



■ Specification

| | |
|-------------------------------|------------|
| Nominal voltage (V) | 3 |
| Nominal capacity (mAh) | 1,550 |
| Continuous standard load (mA) | 20 |
| Operating temperature (C) | -40 ~ +70* |

■ Temperature Characteristics



* Please consult Panasonic for use below and above -20°C to +60°C