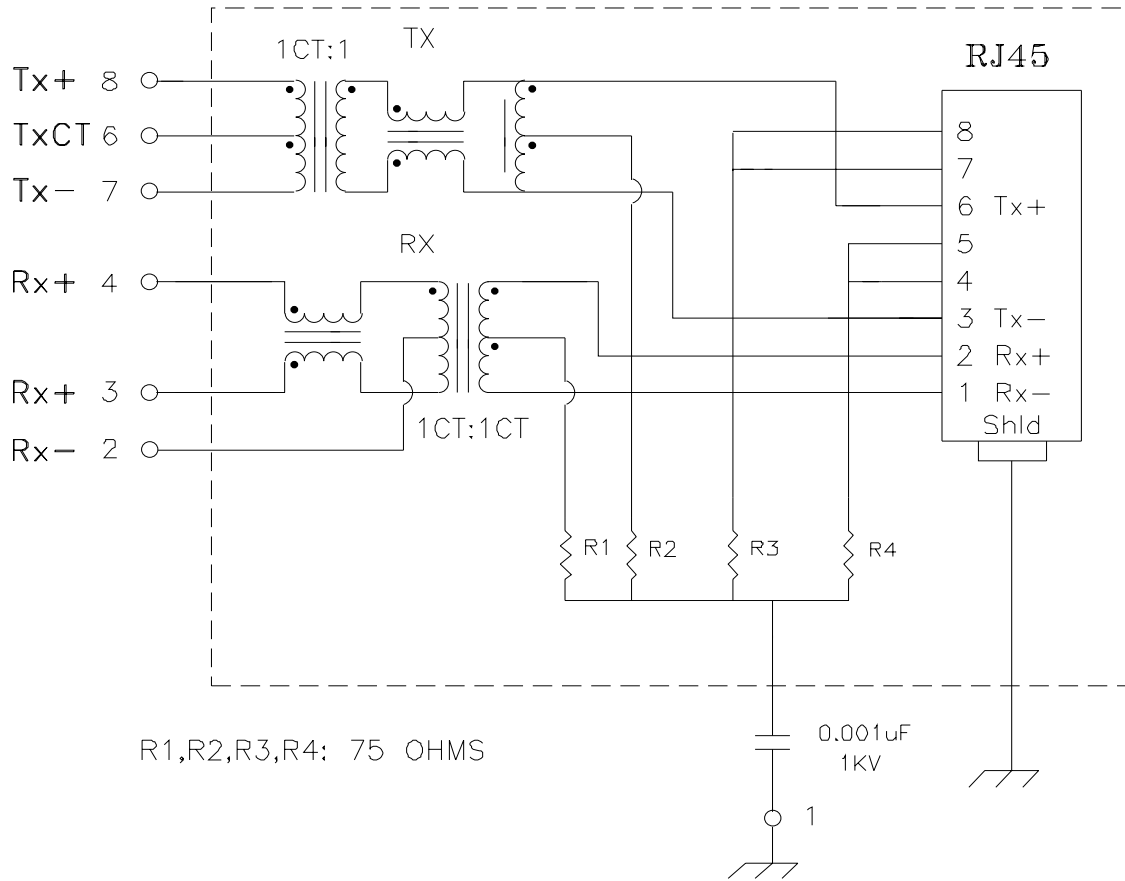


Schematic:



Electrical Specifications: @25°C

Isolation Voltage: 1500 Vrms (INPUT to OUTPUT)

Isolation Voltage: 500 Vrms (6+7+8-2+3+4)

TURNS RATIO: TX 1CT:1 ±5% RX 1CT:1CT ±5%

OCL: 350uH Minimum @100KHz 100mV 8mADC

Insertion Loss (300KHz-100MHz): -0.5dB Typical

Return Loss: 30MHz -21dB Typical

40MHz -17dB Typical

60MHz -14dB Typical

80MHz -12dB Typical

CROSSTALK: 30MHz -55dB Typical

60MHz -45dB Typical

100MHz -35dB Typical

XFMRs Inc.

Title: SINGLE PORT COMBO

UNLESS OTHERWISE SPECIFIED

P/N: XFATM6-COMBO1-2

REV. A

TOLERANCES:

DWN.

BW

Mar-27-00

.xxx ±0.010

CHK.

JOE HUFF

Mar-27-00

Dimensions in Inch

APP.

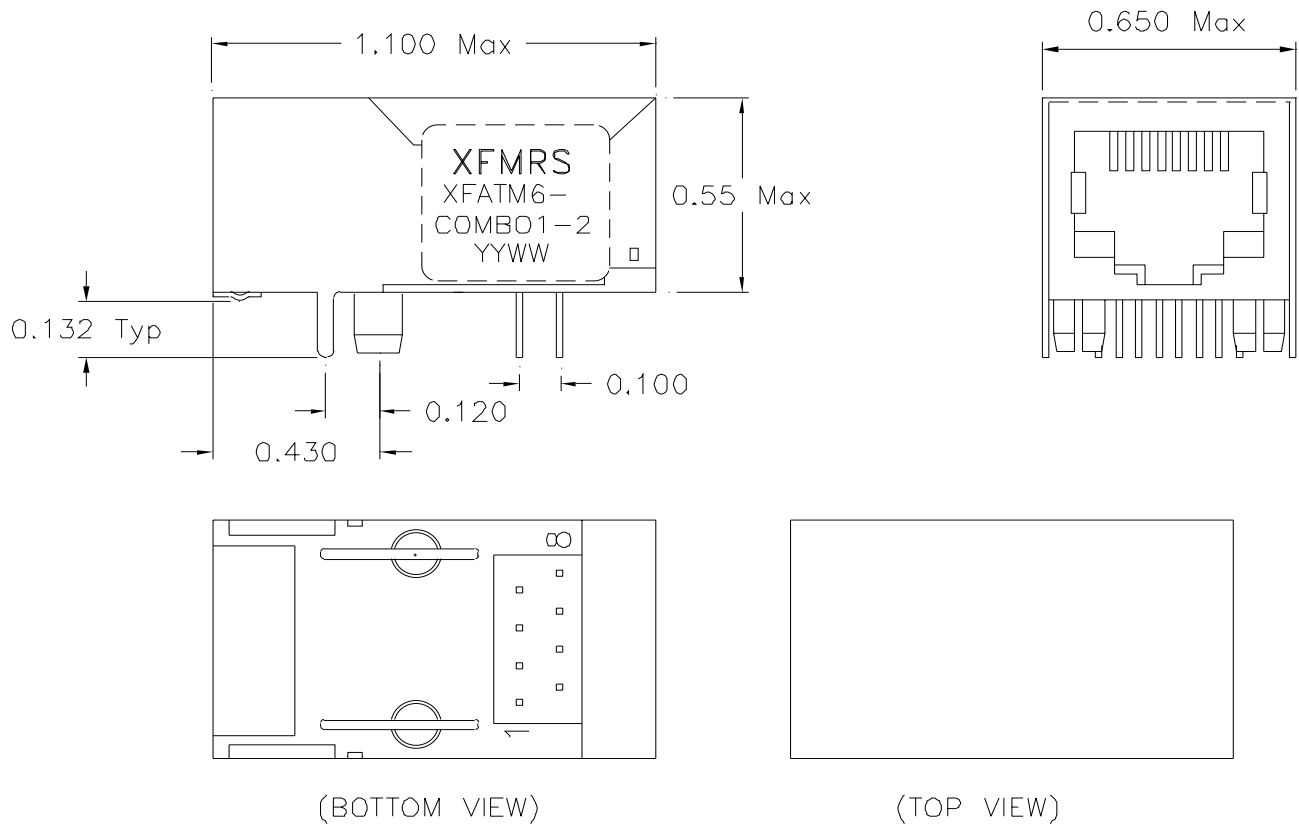
AEI

Mar-27-00

SHEET 1 OF 2

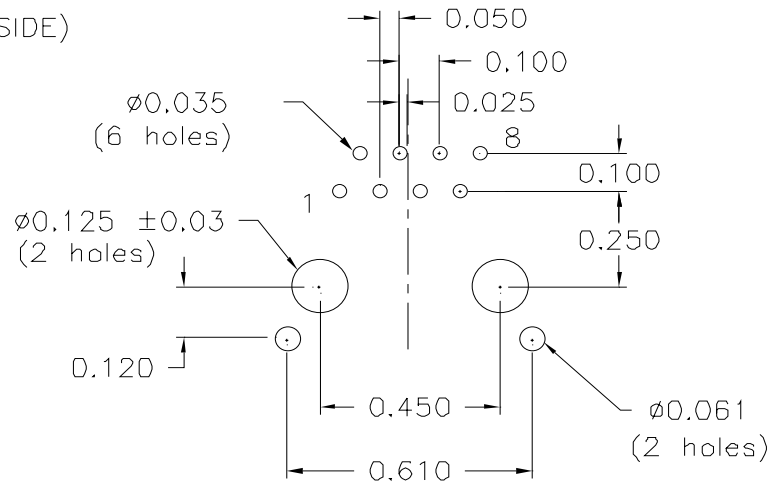
DOC. REV: A/1

1. Mechanical Dimensions: (COMBO1-2)



2. Mounting Pattern:

(FOR COMBO1-2)
(COMP SIDE)



XFMRS Inc.	Title: Mechanical Dimensions For COMBO1-2 Series		
	UNLESS OTHERWISE SPECIFIED	P/N: XFATM6-COMBO1-2	REV. A
TOLERANCES:	DWN.	BW	Mar-27-00
.xxx ±0.010	CHK.	Joe Huff	Mar-27-00
Dimensions in Inch	APP.	AEI	Mar-27-00
SHEET 1 OF 1			