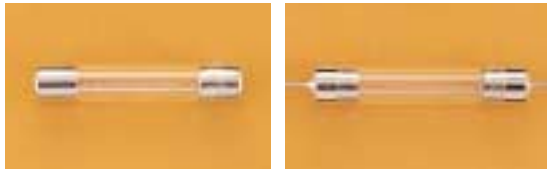


Type 3AG / 3AP Fast Blow Fuse Series

1/4 x 1 1/4 inch Glass Tube

3AGD0903



Electrical Characteristics (UL/CSA STD. 248-14)

Testing current	Blow Time	
	Minimum	Maximum
100%	4 Hrs.	N/A
135%	N/A	1 Hr
200%	N/A	5 sec

Approvals



Safety Agency Approvals	Type	Amp range / Volt @ I.R. ability
UL Listed File No. E20624	3AG / 3AP	100mA - 10A / 250V AC@ 200A
SP Certified File No. LR39772		100mA - 15A / 125V AC@ 10,000A
PSE File No. JET1037-31003-1001, JET1037-31003-1003	3AG / 3AP	1A - 5A / 125V AC@ 500A
File No. JET1037-31003-1002	3AG	>5A - 15A / 125V AC@ 300A

Operating Temperature

-55°C to +125°C

Physical Specification

Materials

Glass body / Nickel Plated Brass Caps

Lead wire:

Tin-lead plated Copper,

Diameter 0.032", 7A and less

Diameter 0.040", 8A and above

Marking

On fuse:

"bel", "3AG", "Current Rating", "Voltage Rating", and "Appropriate Safety Logos"

On label:

Above info plus "CE" and interrupting rating

Voltage on fuse:

250V for 100mA to 10A; 125V for 12A and above

Packaging

1. In bulk:

3AG - 1,000 pcs per box; 3AP - 500 pcs per box

2. On Axial Tape & Reel:

1,000 pcs per reel

3. Tape & Reel specification:

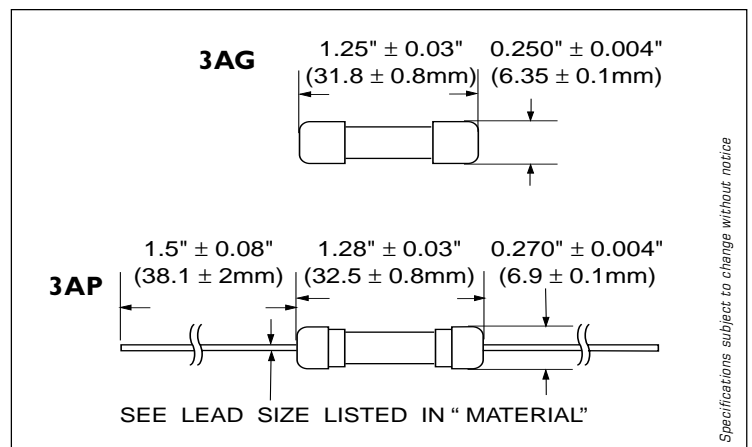
per EIA-296-E & IEC 286-1

@ 10mm Pitch and 73mm inside Tape Spacing

Catalog Number	Ampere Rating	Typical Cold Resistance (ohm)	Volt-drop @100% I_n (Volt) max.	Melting $I^2T < 10$ mSec (A ² Sec)	Melting $I^2T @10 I_n$ (A ² Sec)	Maximum Power Dissipation (W)
3AG (3AP) 100	100mA	12.5	4.5	0.002	0.002	0.59
3AG (3AP) 125	125mA	12.0	4.5	0.004	0.003	0.80
3AG (3AP) 160	160mA	8.3	4.2	0.008	0.006	0.94
3AG (3AP) 200	200mA	5.7	3.9	0.014	0.010	1.10
3AG (3AP) 250	250mA	3.9	3.6	0.025	0.019	1.29
3AG (3AP) 300	300mA	2.7	3.4	0.044	0.034	1.51
3AG (3AP) 375	375mA	2.0	3.2	0.07	0.06	1.64
3AG (3AP) 500	500mA	1.28	2.9	0.14	0.11	0.25
3AG (3AP) 750	750mA	0.24	0.2	0.75	0.74	0.30
3AG (3AP) 1	1 A	0.16	0.23	1.43	1.44	0.37
3AG (3AP) 1.25	1.25 A	0.114	0.21	2.45	2.51	0.44
3AG (3AP) 1.6	1.6 A	0.084	0.20	4.2	4.4	0.51
3AG (3AP) 2	2 A	0.063	0.18	7.2	7.6	0.59
3AG (3AP) 2.5	2.5 A	0.047	0.17	12	13	0.70
3AG (3AP) 3	3 A	0.035	0.162	21	23	0.83
3AG (3AP) 3.5	3.5 A	0.030	0.157	28	31	0.91
3AG (3AP) 4	4 A	0.026	0.154	36	40	1.0
3AG (3AP) 5	5 A	0.020	0.146	63	70	1.2
3AG (3AP) 6	6 A	0.015	0.139	107	123	1.4
3AG (3AP) 7	7 A	0.013	0.135	141	162	1.6
3AG (3AP) 8	8 A	0.012	0.132	184	214	1.7
3AG (3AP) 10	10 A	0.009	0.125	316	372	2.0
3AG (3AP) 12	12 A	0.007	0.120	501	597	2.4
3AG (3AP) 15	15 A	0.006	0.114	845	1023	2.8

Consult manufacturer for other ratings

Mechanical Dimensions



Specifications subject to change without notice

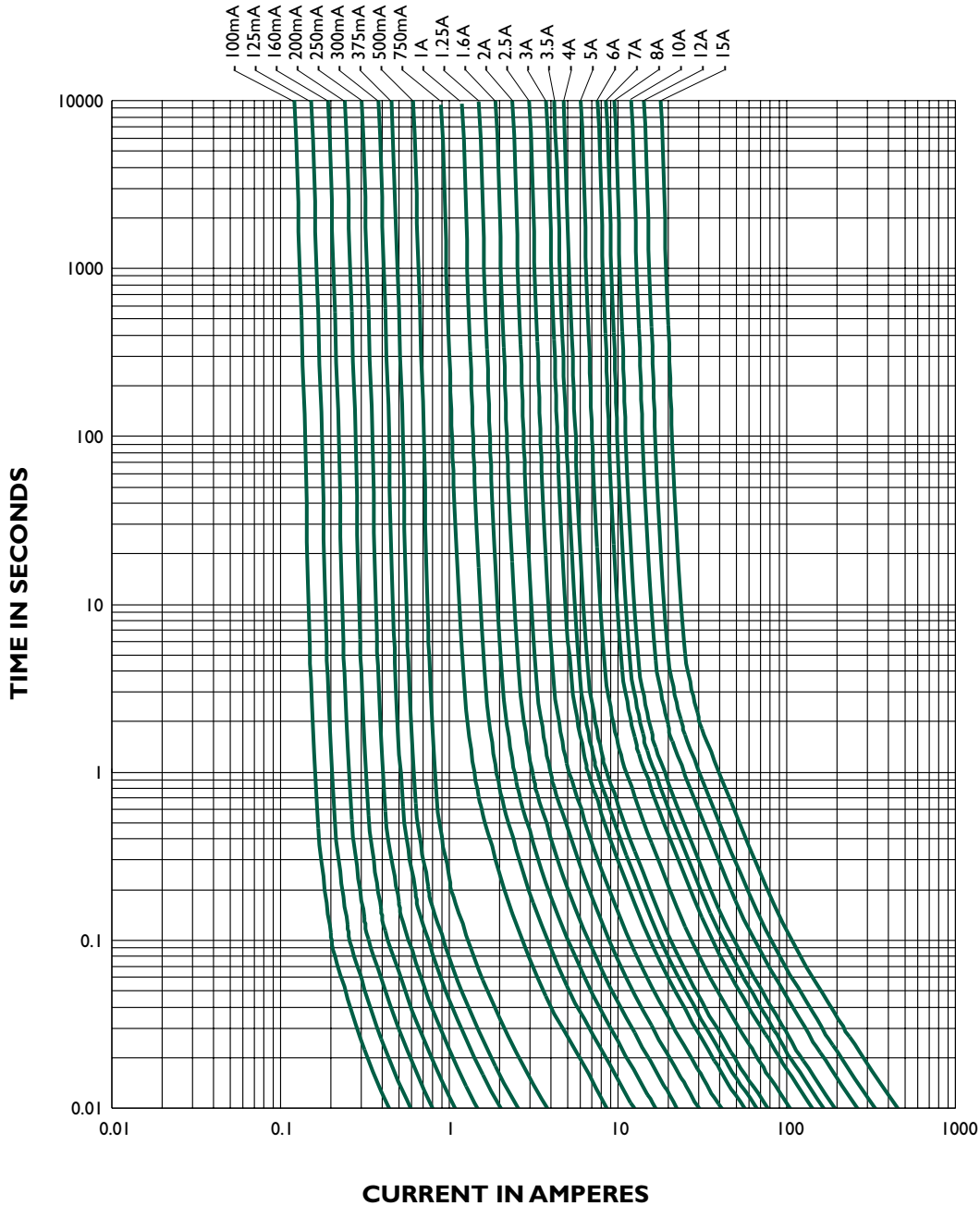
ORDERING INFORMATION SEE PAGES 67 & 68

Type 3AG / 3AP
Fast Blow Fuse Series

1/4 x 1 1/4 inch Glass Tube

3AGC0801

3AG / 3AP - TIME CURRENT CHARACTERISTIC CURVE



Specifications subject to change without notice

NOTE - see important information under "User Guide" on P.08

Corporate Office
Bel Fuse Inc.
 206 Van Vorst Street, Jersey City, NJ 07302
 Tel: 201-432-0463
 Fax: 201-432-9542
 E-Mail: belfuse@belfuse.com
 Website: www.belfuse.com

Far East Office
Bel Fuse Ltd.
 8F/8 Luk Hop Street
 San Po Kong
 Kowloon, Hong Kong
 Tel: 852-2328-5515
 Fax: 852-2352-3706

European Office
Bel Fuse Europe Ltd.
 Preston Technology Management Centre
 Marsh Lane, Preston PR1 8UD
 Lancashire, U.K
 Tel: 44-1772-556601
 Fax: 44-1772-888366