

THIS DRAWING IS UNPUBLISHED. RELEASED FOR PUBLICATION

COPYRIGHT © 20 BY TYCO ELECTRONICS CORPORATION. ALL RIGHTS RESERVED.

ATLANTIC VERSION TERMINATOR INTERFACE ADAPTER	PART NUMBER	REVISION	DESCRIPTION	FEED TYPE	CONVERT TO	PART NUMBERS REQUIRED					
	2266061-1	A	FINE CRIMP HEIGHT ADJUST	MECHANICAL	PNEUMATIC FEED	2119950-1	1338685-1	5-18022-5	2119641-1	2119799-1	2063440-1
	2266061-2	A	FINE CRIMP HEIGHT ADJUST	PNEUMATIC	SERVO LATCH PLATE	2119951-1	-	8-2266061-5	1901094-3	1-1752354-1	2168400-6 (QUANTITY 2)
					SMART APPLICATOR	2161326-1	-	8-2266061-4	-	-	
					MECHANICAL FEED	2119949-1	1338685-1	5-18022-5	2119653-1	-	
					SERVO LATCH PLATE	2119951-1	-	8-2266061-5	1901094-3	1-1752354-1	2168400-6 (QUANTITY 2)
	2266061-5	A	FINE CRIMP HEIGHT ADJUST	SERVO LATCH PLATE	SMART APPLICATOR	2161326-1	-	8-2266061-4	-	-	-
					MECHANICAL FEED	2119949-1	1338685-1	5-18022-5	2119653-1	-	
2266061-6	A	NON-CRIMP HEIGHT ADJUST	SERVO LATCH PLATE	-	-	-	-	-	-	-	
2266061-7	A	FINE CRIMP HEIGHT ADJUST	NONE	-	-	-	-	-	-	-	
7-2266061-7	A	CRIMP TOOLING KIT	-	-	-	-	-	-	-	-	

APPLICATOR DATA		
CRIMP	SIZE	TYPE
WIRE	3.30 mm [.130]	F
INSUL	4.57 mm [.180]	OV

APPLICATOR INSTRUCTIONS 408-10389

TERMINAL DATA: TE TERMINAL		TE CRIMP SPECIFICATION	
TERMINAL NAME: STANDARD-POWER-TIMER CONTACT			
WIRE STRIP LENGTH	INSULATION DIAMETER RANGE		
4.40-5.00 mm [.173-.197 IN]	Ø3.30-4.50 mm [.130-.177 IN]		
TERMINAL APPLICATION SPECIFICATION			
TERMINALS APPLIED			
TE TERMINAL	TE TERMINAL	TE TERMINAL	TE TERMINAL
927824-1	927824-2		

WIRE SIZE	CRIMP HEIGHT mm [INCH]	CRIMP HEIGHT REFERENCE SETTING
4.00mm2	2.35+/-0.05 [.093+/- .002]	9.0
3.50mm2	2.24+/-0.05 [.088+/- .002]	10.3
3.00mm2	2.13+/-0.05 [.084+/- .002]	11.4

- 1 RECOMMENDED SPARE PARTS
- 2 GREASE BEARING SURFACES LIGHTLY
- 3 LUBRICATE DAILY PER THE APPLICATOR INSTRUCTION SHEET SUPPLIED WITH THE APPLICATOR.
- 4 APPLICATOR SPECIFIC DATA TO BE ENTERED INTO BLANK MEMORY CHIP AT ASSEMBLY. SEE BELOW FOR PART NUMBER:  
 MECHANICAL FEED WITH "SMART APPLICATOR" CONVERSION: 8-2266061-4  
 PNEUMATIC FEED WITH "SMART APPLICATOR" CONVERSION: 8-2266061-4  
 SERVO FEED WITH "FINE CRIMP HEIGHT ADJUST": 8-2266061-5  
 SERVO FEED WITH "NON-CRIMP HEIGHT ADJUST": 8-2266061-6
- 5 ADJUSTMENT OF THE STRIPPER MAY BE REQUIRED WHEN MOVING THE APPLICATOR BETWEEN BENCH AND LEADMAKER APPLICATIONS.
- 6 APPLY PART NUMBER 1-23419-5 LOCTITE TO THREADS OF ITEM 62 & 180. APPLY PART NUMBER 2-23419-6 LOCTITE TO THREADS OF ITEM 242. FOR -6 ONLY APPLY PART NUMBER 1-23419-5 LOCTITE TO THREADS OF ITEM 37.
- 7 GREASE THREADS, GROOVE AND O-RING ON ITEMS 35 & 252.
- 8 MAGNET, ITEM 166 MUST BE ORIENTED CORRECTLY IN ORDER TO PROPERLY ACTUATE THE COUNTER.
- 9 CRIMP HEIGHT REFERENCE SETTING WAS THE SETTING USED WHEN THE APPLICATOR WAS QUALIFIED AT THE FACTORY. ADJUSTMENT MAY BE NECESSARY WHEN RUNNING APPLICATOR IN THE FIELD.
- 10 SPARE FEED CAM STORAGE LOCATION REFER TO INSTRUCTION SHEET FOR ADDITIONAL INFORMATION.
- 11 TO CONVERT THE APPLICATOR TO A NON-CARRIER CUTTING STYLE, REMOVE ITEM 13 AND ATTACH TO THE LOCATION ON THE BACK SIDE OF THE HOUSING. REFER TO INSTRUCTION SHEET FOR ADDITIONAL INFORMATION.
- 12 WHEN ASSEMBLING A NON CRIMP HEIGHT ADJUST APPLICATOR (-6) USE SHIMS FROM ITEM 260 TO ACHIEVE A NOMINAL SHIM HEIGHT OF 3.45.

**\*WARNING**  
 ON INSTALLATION, SET WIRE DISC, ITEM 40 TO LARGEST WIRE SIZE SETTING. USE OF SETTINGS BELOW MINIMUM REQUIRED CRIMP HEIGHT SETTING WILL CAUSE DAMAGE TO CRIMP TOOLING.

-	-	1	-	-	-	2119957-2	APPLICATOR SHIM PACK	260
-	1	-	1	1	1	8-21084-0	O-RING, .676 ID, .070 DIA. MAT.	252
-	-	-	-	1	-	2119640-1	PUSH ROD, AIR FEED	250
-	-	-	-	1	-	2079988-1	BUSHING, LCH5-12, MISUMI	249
-	-	-	-	1	-	2119641-1	FEED CAM, AIR FEED	248
-	1	-	1	1	1	2119798-1	DETENT PIN	247
-	1	-	1	1	1	1-22279-3	SPRING, COMPRESSION	246
-77	-7	-6	-5	-2	-1	PART NO	DESCRIPTION	ITEM NO

**ATLANTIC VERSION**  
 Shown on sheets 1 of 4 & 2 of 4  
 (Pacific version shown on sheets 3 of 4 & 4 of 4)

SET UP GAUGE	LOC	DIST	REVISIONS				
2119599-1	A	66	P. LTR	DESCRIPTION	DATE	OWN	APVD
			A	RELEASED	03FEB2016	RK	GB

-	-	1	-	-	-	2119758-1	RAM, AMP STYLE, SIDE FEED, NON-ADJ.	245
-	1	1	1	1	1	2119082-4	CAM, SNAIL, INSULATION ADJUSTMENT	244
-	1	1	1	1	1	2079764-1	WASHER, WAVE SPRING, CREST-TO-CREST	243
-	1	1	1	1	1	2119083-1	RETAINER, INSULATION DIAL	242
-	1	1	1	1	1	7-18023-7	SCR, SKT HD CAP M3 X 4.0	241
-	-	2	2	-	-	2168400-6	SHCS, LOW HEAD, RoHS, M5 X 16	240
-	-	-	-	-	1	2119580-1	MECHANICAL FEED ASSEMBLY	239
-	-	-	-	1	-	2063440-1	AIR FEED MODULE	238
-	-	1	1	-	-	2119740-2	TAG, IDENTIFICATION	213
-	-	1	1	-	-	1901094-3	SPACER, FEEDER	198
-	1	1	1	1	1	1-1752354-1	STANDOFF, HOLD-DOWN	180
-	1	1	1	1	1	9931111-1	PIN, SLOTTED SPRING 3.0 X 20.0	177
-	1	1	1	1	1	8-22280-7	SPRING, COMPRESSION	176
-	1	1	1	1	1	1752353-2	GUIDE PIN, HOLDDOWN	175
-	1	1	1	1	1	1901680-2	GUIDE PIN, HOLDDOWN	174
-	-	-	-	2	-	21045-3	RING, RETAIN, EXTERN, 3/16 CRESCENT	172
-	1	1	1	1	1	994969-1	MAGNET, RARE EARTH HIGH ENERGY	166
-	REF	REF	REF	REF	REF	994970-2	COUNTER, MAGNETIC	164
-	-	-	-	1	-	240638-1	SPRING, FEED FINGER	163
-	-	-	-	1	-	3-23627-7	PIN, RETAIN, GRVD, 3/16 X .854	137
-	-	-	-	1	-	2119799-1	HOLDER, FEED FINGER, AF	136
-	-	REF	REF	-	-	SEE NOTE 4	MEMORY CHIP, PROGRAMMED	135
-	-	1	1	-	-	1633743-1	SERVO FEED LATCH ASM	133
-	1	1	1	1	1	1-18028-2	WASHER, FLAT, REG M4	119
-	-	REF	REF	-	-	2119944-1	FEED FINGER ASSEMBLY, SF	117
-	1	1	1	1	1	455888-5	SPACER, CRIMPER	82
-	1	1	1	1	1	2119956-1	DOCUMENTATION PACKAGE	71
-	1	1	1	1	1	2119791-5	DEPRESSOR, WIRE	70
-	1	1	1	1	1	2119943-1	WASHER, SPACER	69
-	1	-	-	1	1	2119740-1	TAG, IDENTIFICATION	67
-	2	2	2	2	2	2168078-1	SCREW, DRIVE, RH, RoHS, 2 x .188	66
-	1	-	1	1	1	2119793-1	LIMITER, ADJUSTMENT BOLT	63
-	3	-	3	3	3	992763-5	SCR, SET, SOC, CONE POINT, M3 X 4.0	62
-	1	1	1	1	1	2079383-4	SCR, BHSC, RoHS (M4 X 8)	60
-	-	-	-	1	1	5-18022-5	SCR, HEX HD CAP, M4 X 6.0	59
-	-	-	-	1	1	1338685-1	PAWL, FEED	56
-	4	4	4	4	4	2168400-1	SHCS, LOW HEAD, RoHS, M4 X 12	54
-	1	1	1	1	1	1-5018030-0	NUT, HEX, REG, RoHS, M3.5	52
-	1	1	1	1	1	1901681-2	HOLDDOWN, TERMINAL	51
-	-	-	-	1	2	18023-9	SCR, SKT HD CAP M4 X 6.0	49
-	-	-	-	-	1	2119652-1	FEED CAM, PRE FEED	48
-	-	-	-	-	1	2119653-1	FEED CAM, POST FEED	47
-	1	1	1	1	1	2119656-9	APPLICATOR BASIC ASSEMBLY, SF	46
-	1	-	1	1	1	2119370-1	RAM, AMP STYLE, SIDE FEED	44
-	1	1	1	1	1	2079383-7	SCR, BHSC, RoHS (M8 X 25)	41
-	1	-	1	1	1	2119645-1	DISC, NUMBERED FA WIRE ADJUSTMENT	40
-	1	-	1	1	1	2119957-1	APPLICATOR SHIM PACK	39
-	1	1	1	1	1	2119644-3	RAM WASHER, PRECISION	38
-	1	1	1	1	1	2119085-1	FA HEAD, ATLANTIC STYLE	37
-	1	-	1	1	1	2119092-1	BOLT, ADJUSTMENT	35
-	1	1	1	1	1	1-1752356-2	SUPPORT, TERMINAL	34
-	2	2	2	2	2	2079383-5	SCR, BHSC, RoHS (M4 X 20)	33
-	1	1	1	1	1	2161328-1	HEX HEAD, FLANGED, M5 X 8mm LONG	32
-	1	1	1	1	1	1-1320908-8	SPACER, STRIP GUIDE	30
-	1	1	1	1	1	2119959-1	ASSEMBLY, STRIP GUIDE	29
-	1	1	1	1	1	1-455888-0	SPACER, CRIMPER	28
-	1	1	1	1	1	1320928-2	STRIP GUIDE	24
-	1	1	1	1	1	2168083-2	SCR, SKT HD CAP, RoHS, M4 X 8.0	21
-	1	1	1	1	1	1-18028-2	WASHER, FLAT, REG M4	20
-	1	1	1	1	1	2119533-1	STRIPPER, SIDE FEED	19
-	1	1	1	1	1	2119806-1	INSERT, SHEAR	13
-	1	1	1	1	1	3-22280-3	SPRING, COMPRESSION	12
-	1	1	1	1	1	1-356885-4	STOP, SHEAR	11
-	1	1	1	1	1	2119805-1	SHEAR HOLDER, FRONT	10
-	1	1	1	1	1	318707-1	FLOATING SHEAR, FRONT	9
-	1	1	1	1	1	1333209-1	ANVIL, COMBINATION .130	8
-	-	-	-	-	-	-	-	7
-	-	-	-	-	-	-	-	6
-	1	1	1	1	1	1-2119757-0	DEPRESSOR, SHEAR	5
-	1	1	1	1	1	2-238011-2	BLOCK, CRIMPER SPACER	4
-	1	1	1	1	1	1-1633964-5	CRIMPER, INSULATION OVERLAP PREMIUM	3
-	1	1	1	1	1	455888-2	SPACER, CRIMPER	2
-	1	1	1	1	1	456410-4	CRIMPER, WIRE PREMIUM	1
-77	-7	-6	-5	-2	-1	PART NO	DESCRIPTION	ITEM NO

THIS IS A CONTROL DRAWING. DIMENSIONS AND TOLERANCES SHOWN ARE THE MANUFACTURING DIMENSIONS UNLESS OTHERWISE SPECIFIED. DIMENSIONS IN PARENTHESES ARE FOR INFORMATION ONLY. DIMENSIONS IN BRACKETS ARE FOR INFORMATION ONLY.

OWN: HOFFNER 16OCT2013  
 CHK: T. ELBIN 17OCT2013  
 APVD: T. ELBIN 17OCT2013

**STE** TE Connectivity  
 Harrisburg, PA 17105-3608

NAME: Ocean Side Feed Applicator

SIZE: A | CAGE CODE: 00779 | DRAWING NO: C=2266061

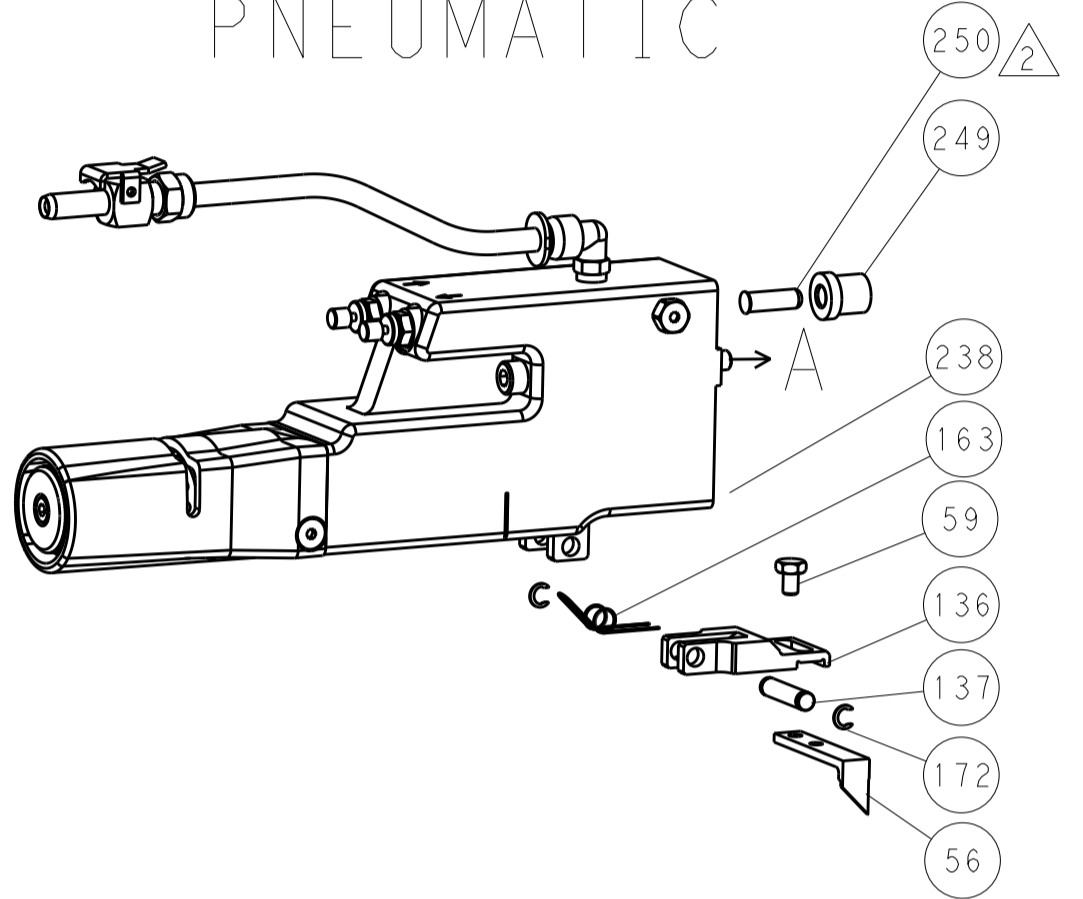
Customer Accessible Production Drawing | SCALE: 1:2 | SHEET 1 OF 4 | REV: A

LOC		DIST		REVISIONS			
A	66	P	LTM	DESCRIPTION	DATE	OWN	APVD
		-	-	SEE SHEET 1	-	-	-

### FEED TYPE MECHANICAL



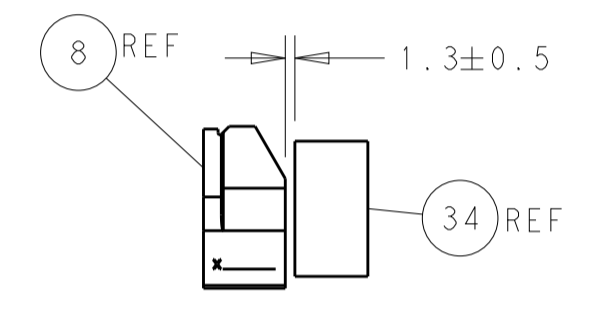
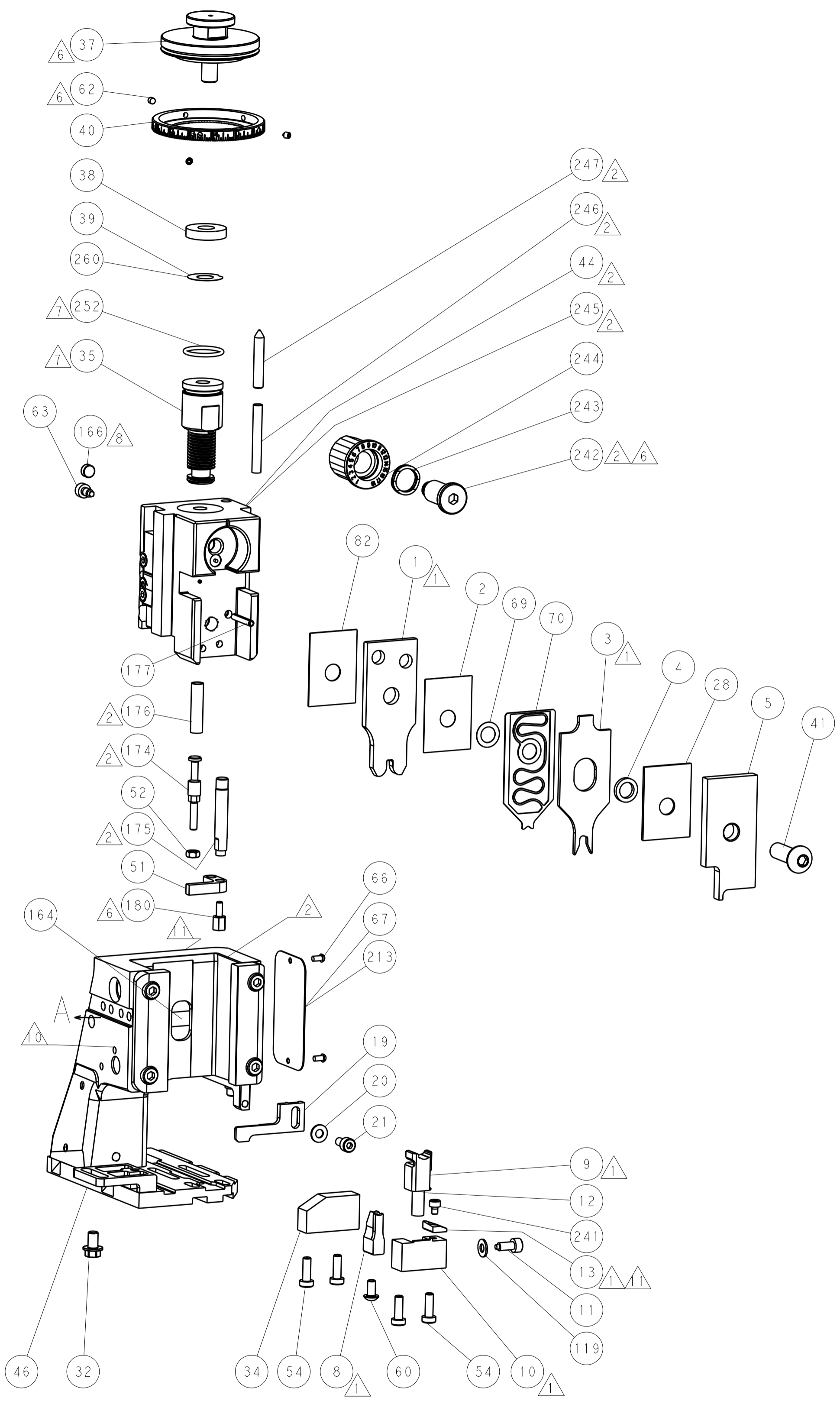
### PNEUMATIC



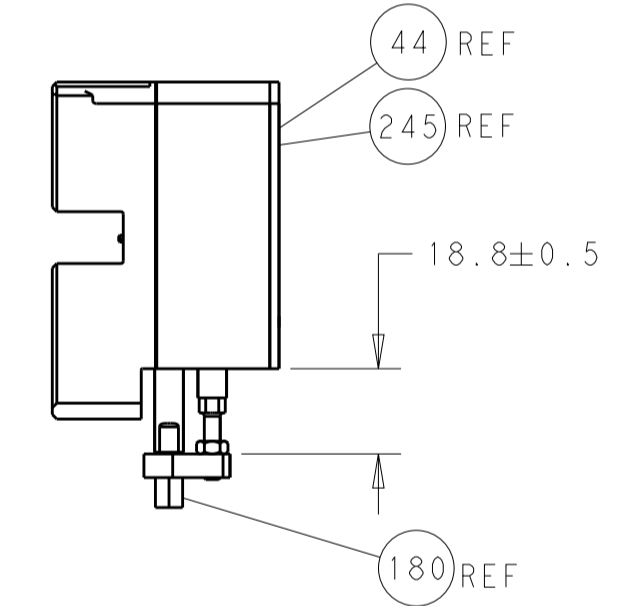
### SERVO LATCH PLATE



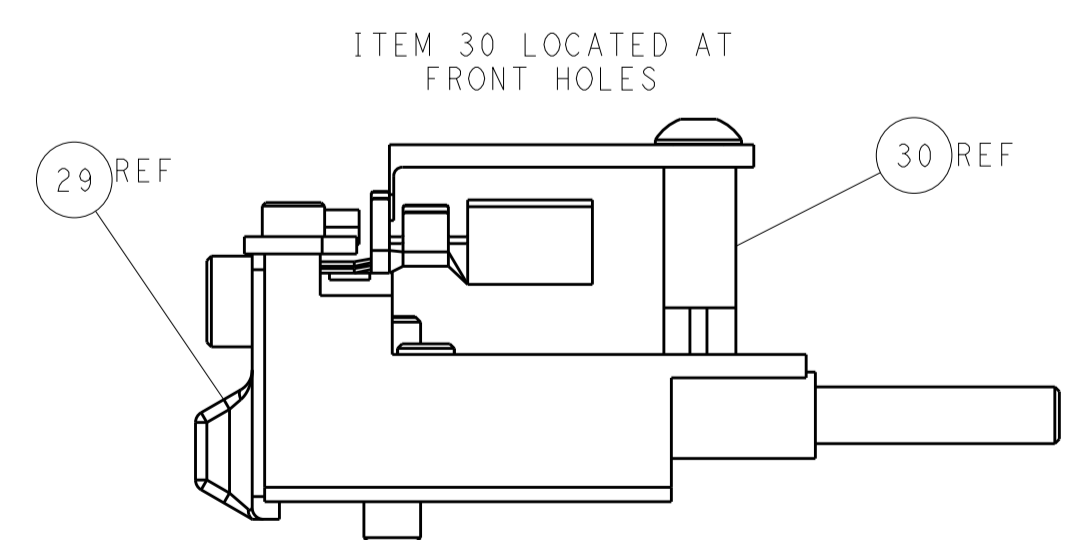
### CAM POSITIONS



TERMINAL SUPPORT LOCATION



HOLDDOWN SET-UP



FEED TRACK POSITION GUIDE BY INSULATION BARREL

**ATLANTIC VERSION**  
 Shown on sheets 1 of 4 & 2 of 4  
 (Pacific version shown on sheets 3 of 4 & 4 of 4)

DIMENSIONS:		TOLERANCES UNLESS OTHERWISE SPECIFIED:		DWN: HOFFNER 16OCT2013		TE Connectivity	
mm	0 PLC ±	1 PLC ±	2 PLC ±	3 PLC ±	4 PLC ±	5 PLC ±	Harrisburg, PA 17105-3608
	ANGLES ±			CHK: T. ELBIN 17OCT2013		NAME: Ocean Side Feed Applicator	
MATERIAL:		FINISH:		APVD: T. ELBIN 17OCT2013		PRODUCT SPEC:	
				APPLICATION SPEC:		RESTRICTED TO:	
				WEIGHT:		SIZE: CAGE CODE: DRAWING NO:	
				Customer Accessible Production Drawing		A1 00779 ©=2266061	
				SCALE: 1:2		SHEET 2 OF 4 REV A	

PACIFIC VERSION TERMINATOR INTERFACE ADAPTER	PART NUMBER	REVISION	DESCRIPTION	FEED TYPE	APPLICATOR STYLE CONVERSION CHART						
					CONVERT TO	PART NUMBERS REQUIRED					
	2-2266061-1	A	FINE CRIMP HEIGHT ADJUST	MECHANICAL	PNEUMATIC FEED	2119950-1	1338685-1	5-18022-5	2119641-2	2119799-1	2063440-1
					SERVO LATCH PLATE	2119951-1	-	8-2266061-5	1901094-3	1-1752354-1	2168400-6 (QUANTITY 2)
					SMART APPLICATOR	2161326-1	-	8-2266061-4	-	-	-
	2-2266061-2	A	FINE CRIMP HEIGHT ADJUST	PNEUMATIC	MECHANICAL FEED	2119949-1	1338685-1	5-18022-5	2119653-2	-	-
					SERVO LATCH PLATE	2119951-1	-	8-2266061-5	1901094-3	1-1752354-1	2168400-6 (QUANTITY 2)
					SMART APPLICATOR	2161326-1	-	8-2266061-4	-	-	-
	2-2266061-5	A	FINE CRIMP HEIGHT ADJUST	SERVO LATCH PLATE	MECHANICAL FEED	2119949-1	1338685-1	5-18022-5	2119653-2	-	-
					PNEUMATIC FEED	2119950-1	1338685-1	5-18022-5	2119641-2	2119799-1	2063440-1
	2-2266061-7	A	FINE CRIMP HEIGHT ADJUST	NONE	-	-	-	-	-	-	-
	7-2266061-7	A	CRIMP TOOLING KIT	-	-	-	-	-	-	-	-

APPLICATOR DATA		
CRIMP	SIZE	TYPE
WIRE	3.30 mm [1.130]	F
INSUL	4.57 mm [1.180]	OV
APPLICATOR INSTRUCTIONS 408-10389		

TERMINAL DATA: TE TERMINAL		TE CRIMP SPECIFICATION
TERMINAL NAME: STANDARD-POWER-TIMER CONTACT		
WIRE STRIP LENGTH 4.40-5.00 mm [1.173-.197 IN]		INSULATION DIAMETER RANGE Ø3.30-4.50 mm [1.130-.177 IN]
TERMINAL APPLICATION SPECIFICATION 114-18037	-	-
TERMINALS APPLIED		
TE TERMINAL	TE TERMINAL	TE TERMINAL
927824-1	927824-2	

WIRE SIZE	CRIMP HEIGHT mm [INCH]	CRIMP HEIGHT REFERENCE SETTING
4.00mm2	2.35+/-0.05 [0.093+/-0.002]	9.0
3.50mm2	2.24+/-0.05 [0.088+/-0.002]	10.3
3.00mm2	2.13+/-0.05 [0.084+/-0.002]	11.4

- RECOMMENDED SPARE PARTS
- GREASE BEARING SURFACES LIGHTLY
- LUBRICATE DAILY PER THE APPLICATOR INSTRUCTION SHEET SUPPLIED WITH THE APPLICATOR.
- APPLICATOR SPECIFIC DATA TO BE ENTERED INTO BLANK MEMORY CHIP AT ASSEMBLY. SEE BELOW FOR PART NUMBER:  
 MECHANICAL FEED WITH "SMART APPLICATOR" CONVERSION: 8-2266061-4  
 PNEUMATIC FEED WITH "SMART APPLICATOR" CONVERSION: 8-2266061-4  
 SERVO FEED WITH "FINE CRIMP HEIGHT ADJUST": 8-2266061-5
- ADJUSTMENT OF THE STRIPPER MAY BE REQUIRED WHEN MOVING THE APPLICATOR BETWEEN BENCH AND LEADMAKER APPLICATIONS.
- APPLY PART NUMBER 1-23419-5 LOCTITE TO THREADS OF ITEM 62 & 180. APPLY PART NUMBER 2-23419-6 LOCTITE TO THREADS OF ITEM 242.
- GREASE THREADS, GROOVE AND O-RING ON ITEMS 139 & 152.
- MAGNET MUST BE ORIENTED CORRECTLY IN ORDER TO PROPERLY ACTUATE THE COUNTER.
- CRIMP HEIGHT REFERENCE SETTING WAS THE SETTING USED WHEN THE APPLICATOR WAS QUALIFIED AT THE FACTORY. ADJUSTMENT MAY BE NECESSARY WHEN RUNNING APPLICATOR IN THE FIELD.
- SPARE FEED CAM STORAGE LOCATION REFER TO INSTRUCTION SHEET FOR ADDITIONAL INFORMATION.
- TO CONVERT THE APPLICATOR TO A NON-CARRIER CUTTING STYLE, REMOVE ITEM 13 AND ATTACH TO THE LOCATION ON BACK SIDE OF THE HOUSING. REFER TO INSTRUCTION SHEET FOR ADDITIONAL INFORMATION.

**\*WARNING**  
 ON INSTALLATION, SET WIRE DISC, ITEM 40 TO LARGEST WIRE SIZE SETTING. USE OF SETTINGS BELOW MINIMUM REQUIRED CRIMP HEIGHT SETTING WILL CAUSE DAMAGE TO CRIMP TOOLING.

ITEM NO	DESCRIPTION	ITEM NO		
- 1	1 1 1 1	2119782-1 FINE ADJUST HEAD ASM, PACIFIC STYLE	251	
-	- 1	2119640-1 PUSH ROD, AIR FEED	250	
-	- 1	2079988-1 BUSHING, LCH5-12, MISUMI	249	
- 1	1 1 1	1-22279-3 SPRING, COMPRESSION	246	
- 1	1 1 1	2119082-4 CAM, SNAIL, INSULATION ADJUSTMENT	244	
-77	-27 -25 -22 -21	PART NO	DESCRIPTION	ITEM NO

**PACIFIC VERSION**  
 Shown on sheets 3 of 4 & 4 of 4  
 (Atlantic version shown on sheets 1 of 4 & 2 of 4)

SET UP GAUGE	LOC	DIST	REVISIONS			
2119599-1	A	66	REV	DATE	BY	APPD
-	-	-	SEE SHEET 1	-	-	-

- 1	1	1	1	2079764-1	WASHER, WAVE SPRING, CREST-TO-CREST	243	
- 1	1	1	1	2119083-1	RETAINER, INSULATION DIAL	242	
- 1	1	1	1	7-18023-7	SCR, SKT HD CAP M3 X 4.0	241	
- -	2	-	-	2168400-6	SHCS, LOW HEAD, RoHS, M5 X 16	240	
- -	-	-	1	2119580-1	MECHANICAL FEED ASSEMBLY	239	
- -	-	1	-	2063440-1	AIR FEED MODULE	238	
- -	1	-	-	2119740-2	TAG, IDENTIFICATION	213	
- -	1	-	-	1901094-3	SPACER, FEEDER	198	
- 1	1	1	1	1-1752354-1	STANDOFF, HOLD-DOWN	180	
- 1	1	1	1	993111-1	PIN, SLOTTED SPRING 3.0 X 20.0	177	
- 1	1	1	1	8-22280-7	SPRING, COMPRESSION	176	
- 1	1	1	1	1752353-2	GUIDE PIN, HOLDDOWN	175	
- 1	1	1	1	1901680-2	GUIDE PIN, HOLDDOWN	174	
- -	-	2	-	21045-3	RING, RETAIN, EXTERN, 3/16 CRESCENT	172	
- 1	1	1	1	994969-1	MAGNET, RARE EARTH HIGH ENERGY	166	
- REF	REF	REF	REF	994970-2	COUNTER, MAGNETIC	164	
- -	-	1	-	240638-1	SPRING, FEED FINGER	163	
- 1	1	1	1	8-21084-1	O-RING, .801 ID, .070 DIA, MAT.	152	
- -	-	1	-	2119641-2	FEED CAM, AIR FEED	151	
- 1	1	1	1	2119798-2	DETENT PIN	145	
- 1	1	1	1	2079383-8	SCR, BHSC, RoHS (M4 X 16)	144	
- 4	4	4	4	2168400-5	SHCS, LOW HEAD, RoHS, M4 X 20	143	
- -	-	-	1	2119653-2	FEED CAM, POST FEED	142	
- 1	1	1	1	1-2119656-0	APPLICATOR BASIC ASSEMBLY, SF	141	
- 1	1	1	1	2119650-1	RAM, ASIAN STYLE, SIDE FEED	140	
- 1	1	1	1	2119092-2	BOLT, ADJUSTMENT	139	
- -	-	1	-	3-23627-7	PIN, RETAIN, GRVD, 3/16 X .854	137	
- -	-	1	-	2119799-1	HOLDER, FEED FINGER, AF	136	
- -	REF	-	-	SEE NOTE 4	MEMORY CHIP, PROGRAMMED	135	
- -	1	-	-	1633743-1	SERVO FEED LATCH ASM	133	
- 1	1	1	1	1-18028-2	WASHER, FLAT, REG M4	119	
- -	REF	-	-	2119944-1	FEED FINGER ASSEMBLY, SF	117	
- 1	1	1	1	455888-5	SPACER, CRIMPER	82	
- 1	1	1	1	2119956-1	DOCUMENTATION PACKAGE	71	
- 1	1	1	1	2119791-5	DEPRESSOR, WIRE	70	
- 1	1	1	1	2119943-1	WASHER, SPACER	69	
- 1	-	1	1	2119740-1	TAG, IDENTIFICATION	67	
- 2	2	2	2	2168078-1	SCREW, DRIVE, RH, RoHS, 2 x .188	66	
- 1	1	1	1	2119793-1	LIMITER, ADJUSTMENT BOLT	63	
- 3	3	3	3	992763-5	SCR, SET, SOC, CONE POINT, M3 X 4.0	62	
- -	-	1	1	5-18022-5	SCR, HEX HD CAP, M4 X 6.0	59	
- -	-	1	1	1338685-1	PAWL, FEED	56	
- 1	1	1	1	1-5018030-0	NUT, HEX, REG, RoHS, M3.5	52	
- 1	1	1	1	1901681-2	HOLDDOWN, TERMINAL	51	
- -	-	1	2	18023-9	SCR, SKT HD CAP M4 X 6.0	49	
- -	-	-	1	2119652-1	FEED CAM, PRE FEED	48	
- 1	1	1	1	2079383-7	SCR, BHSC, RoHS (M8 X 25)	41	
- 1	1	1	1	2119645-1	DISC, NUMBERED FA WIRE ADJUSTMENT	40	
- 1	1	1	1	2119957-1	APPLICATOR SHIM PACK	39	
- 1	1	1	1	2119644-3	RAM WASHER, PRECISION	38	
- 1	1	1	1	1-1752356-2	SUPPORT, TERMINAL	34	
- 2	2	2	2	2079383-5	SCR, BHSC, RoHS (M4 X 20)	33	
- 1	1	1	1	2161328-1	HEX HEAD, FLANGED, M5 X 8mm LONG	32	
- 1	1	1	1	1-1320908-8	SPACER, STRIP GUIDE	30	
- 1	1	1	1	2119959-1	ASSEMBLY, STRIP GUIDE	29	
- 1	1	1	1	1-455888-0	SPACER, CRIMPER	28	
- 1	1	1	1	1320928-2	STRIP GUIDE	24	
- 1	1	1	1	2168083-2	SCR, SKT HD CAP, RoHS, M4 X 8.0	21	
- 1	1	1	1	1-18028-2	WASHER, FLAT, REG M4	20	
- 1	1	1	1	2119533-1	STRIPPER, SIDE FEED	19	
- 1	1	1	1	2119806-1	INSERT, SHEAR	13	
- 1	1	1	1	3-22280-3	SPRING, COMPRESSION	12	
- 1	1	1	1	1-356885-4	STOP, SHEAR	11	
- 1	1	1	1	2119805-1	SHEAR HOLDER, FRONT	10	
- 1	1	1	1	318707-1	FLOATING SHEAR, FRONT	9	
1	1	1	1	1333209-1	ANVIL, COMBINATION .130	8	
- -	-	-	-	-	-	7	
- -	-	-	-	-	-	6	
- 1	1	1	1	1-2119757-0	DEPRESSOR, SHEAR	5	
- 1	1	1	1	2-238011-2	BLOCK, CRIMPER SPACER	4	
1	1	1	1	1-1633964-5	CRIMPER, INSULATION OVERLAP PREMIUM	3	
- 1	1	1	1	455888-2	SPACER, CRIMPER	2	
1	1	1	1	456410-4	CRIMPER, WIRE PREMIUM	1	
-77	-27	-25	-22	-21	PART NO	DESCRIPTION	ITEM NO

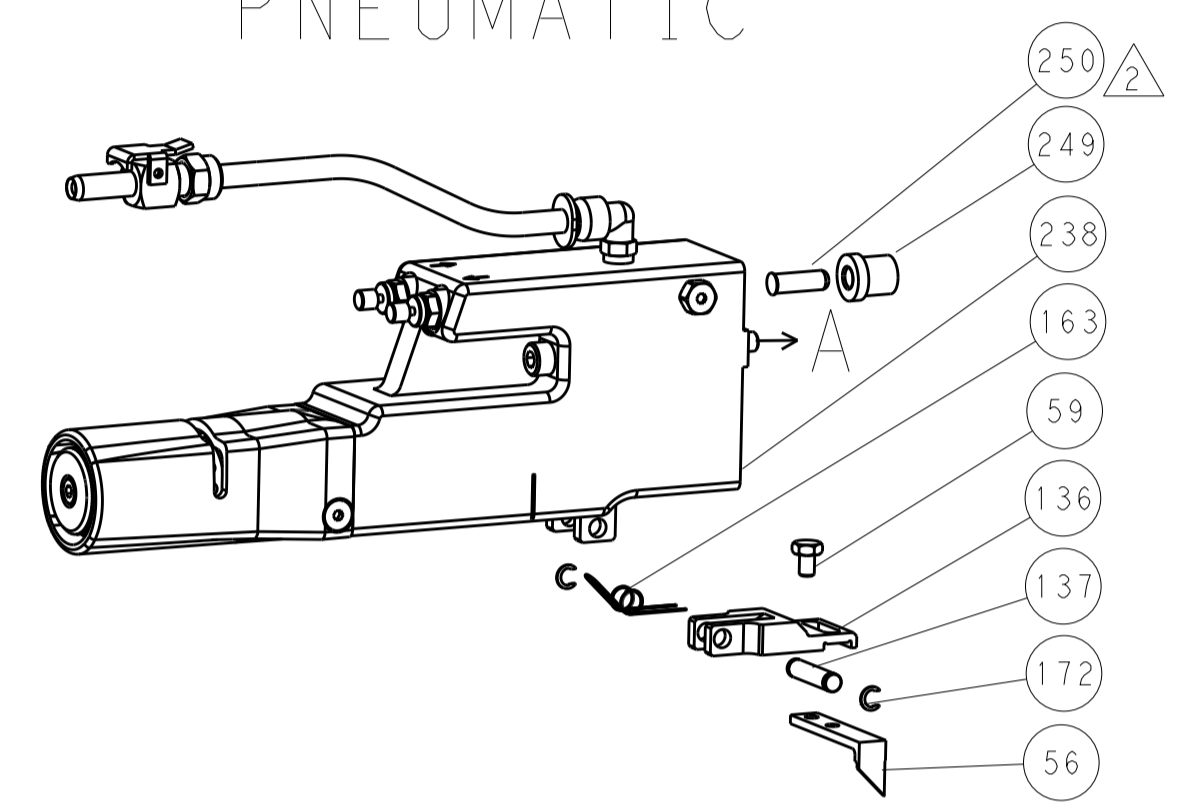
DIMENSIONS:		TOLERANCES UNLESS OTHERWISE SPECIFIED:		OWN	CHK	APPD	DATE	NAME	
mm	0 PLC	±		HOFFNER	T. ELBIN	T. ELBIN	17OCT2013	TE Connectivity Harrisburg, PA 17105-3608	
	1 PLC	±						Ocean Side Feed Applicator	
	2 PLC	±						SIZE	CAGE CODE
	3 PLC	±						00779	2266061
	4 PLC	±						Customer Accessible Production Drawing	
	ANGLES	±						SCALE	SHEET
	FINISH	±						1:2	3 OF 4

LOC		DIST		REVISIONS			
A	66	P	LTM	DESCRIPTION	DATE	OWN	APVD
		-		SEE SHEET 1			

# FEED TYPE MECHANICAL



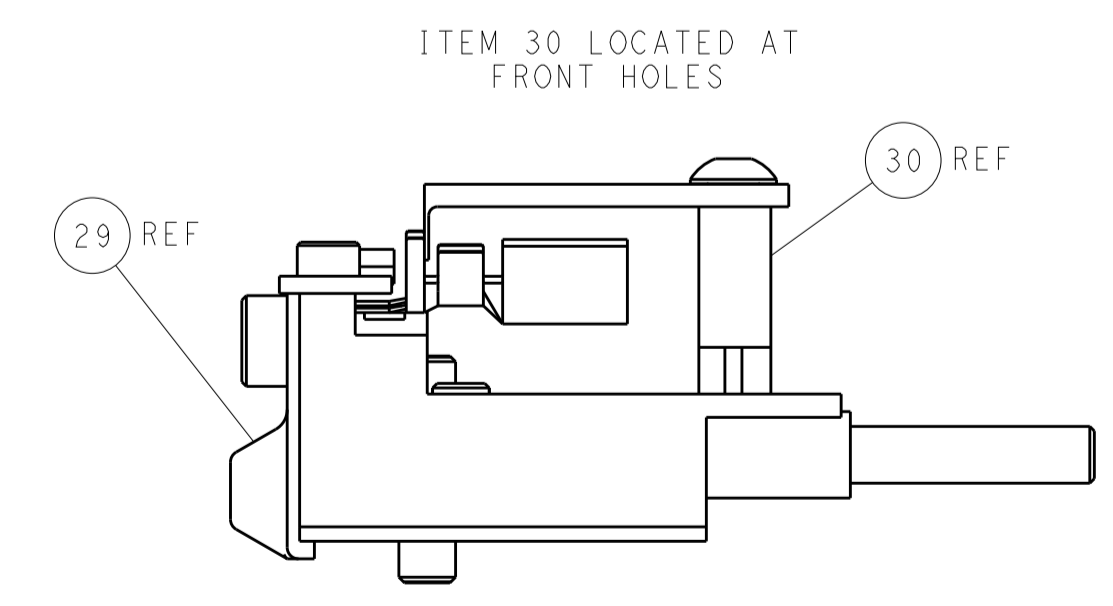
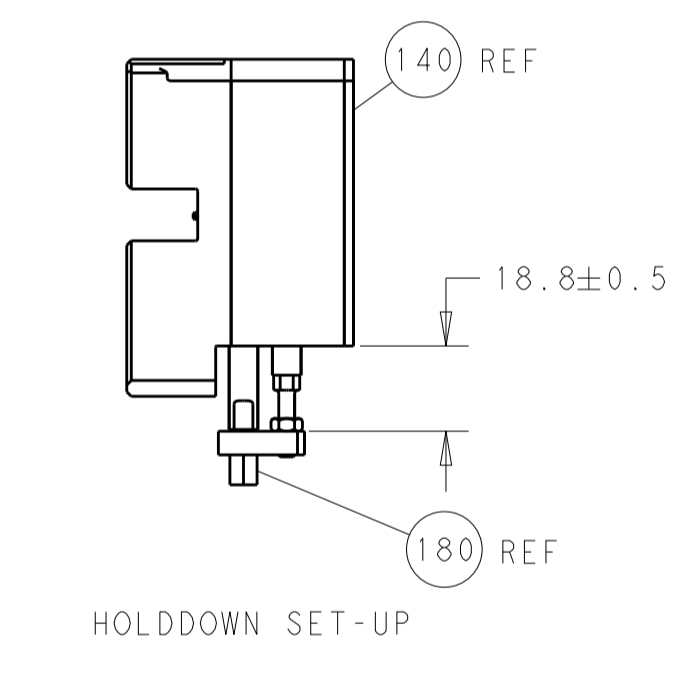
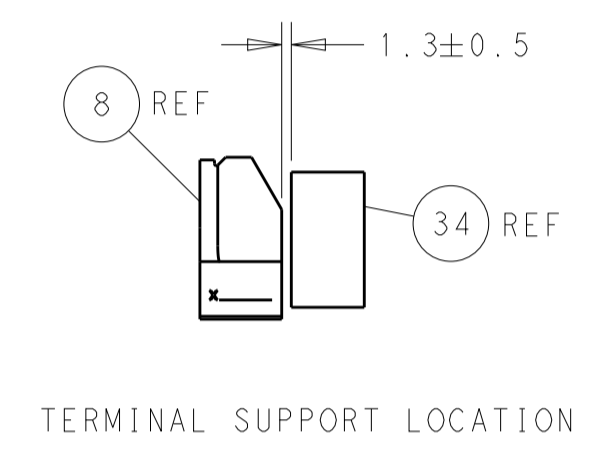
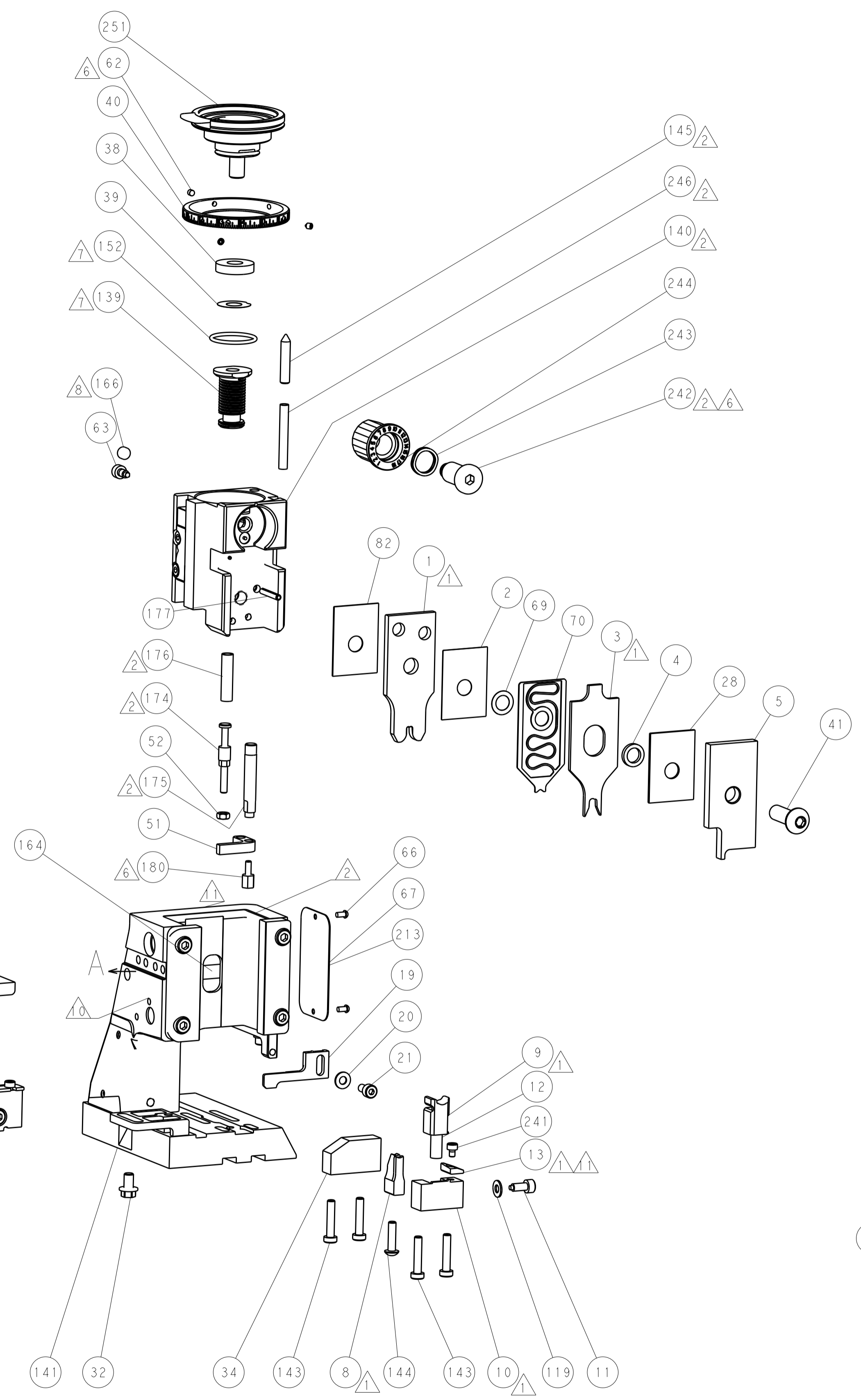
# PNEUMATIC



# SERVO LATCH PLATE



# CAM POSITIONS



**PACIFIC VERSION**  
 Shown on sheets 3 of 4 & 4 of 4  
 (Atlantic version shown on sheets 1 of 4 & 2 of 4)

DIMENSIONS:		TOLERANCES UNLESS OTHERWISE SPECIFIED:		DWN: HOFFNER 16OCT2013		TE Connectivity	
mm	0 PLC ±	1 PLC ±	2 PLC ±	3 PLC ±	4 PLC ±	5 PLC ±	Harrisburg, PA 17105-3608
MATERIAL:		FINISH:		APVD: TELBIN 17OCT2013		NAME: Ocean Side Feed Applicator	
				PRODUCT SPEC:		SIZE: CAGE CODE: DRAWING NO:	
				APPLICATION SPEC:		RESTRICTED TO:	
				WEIGHT:		A   00779   C=2266061	
				Customer Accessible Production Drawing		SCALE: 1:2 SHEET 4 OF 4 REV A	