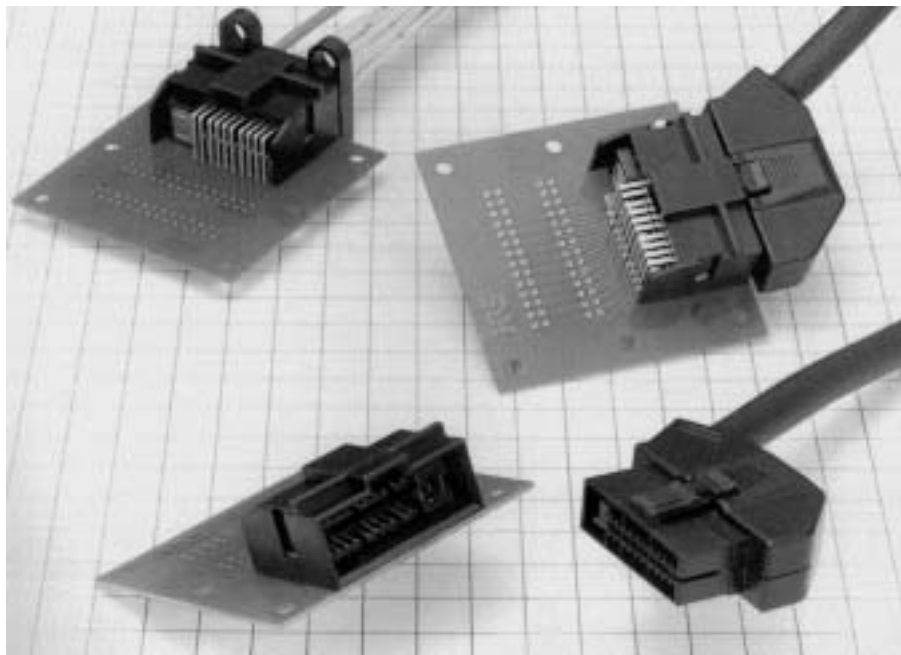


GT12 Series

— 2 mm Pitch, Miniature ECU Connectors —
<Hirose Original Reverse Concept>

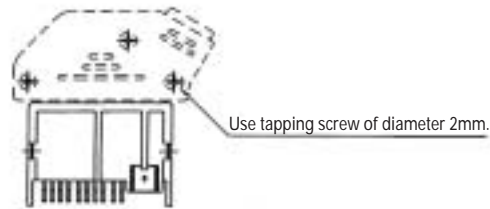
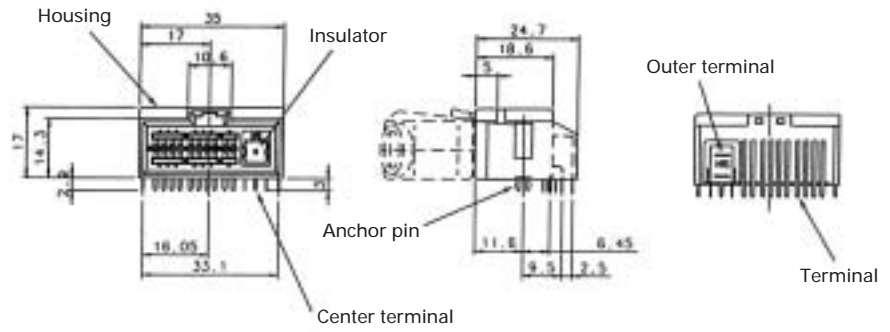
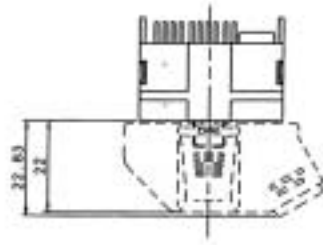


■ Features

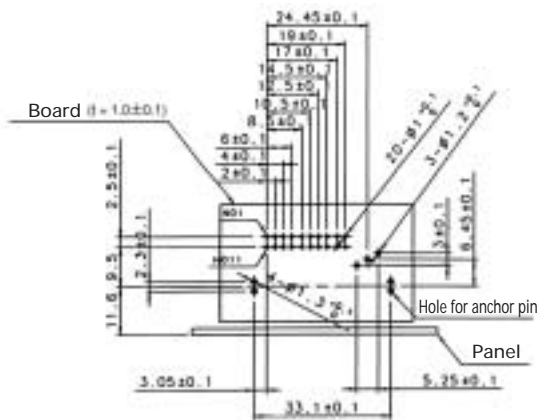
- 2 mm pitch type connector
- Low insertion and removal force compared with the Hirose Electric GT10 Series.
- Built to solve the problem of terminal deformation at time of wire crimping.

F Connectors

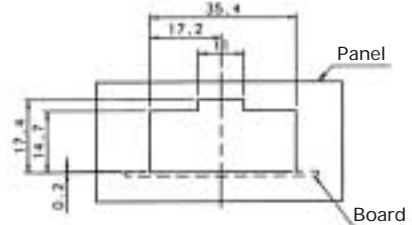
● Board Type



◆ Recommended PCB Mounting Pattern

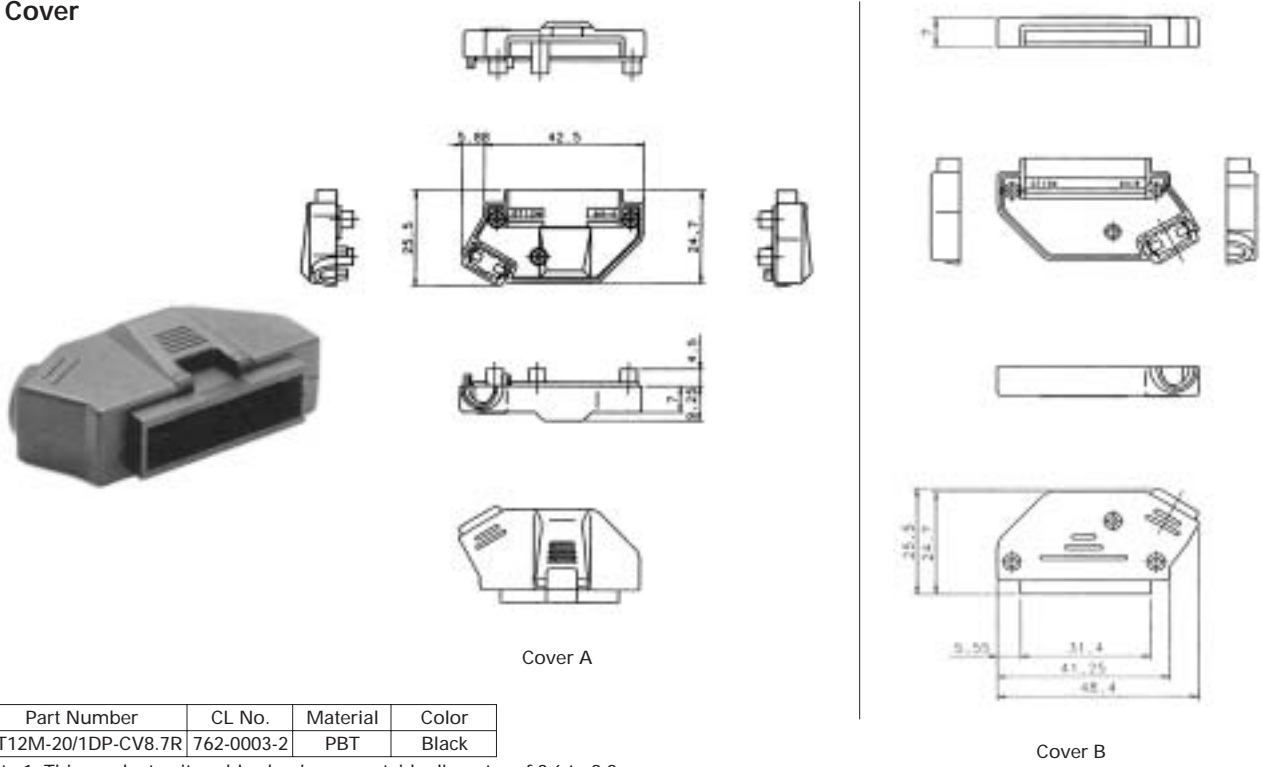


◆ Recommended Panel Cut-out



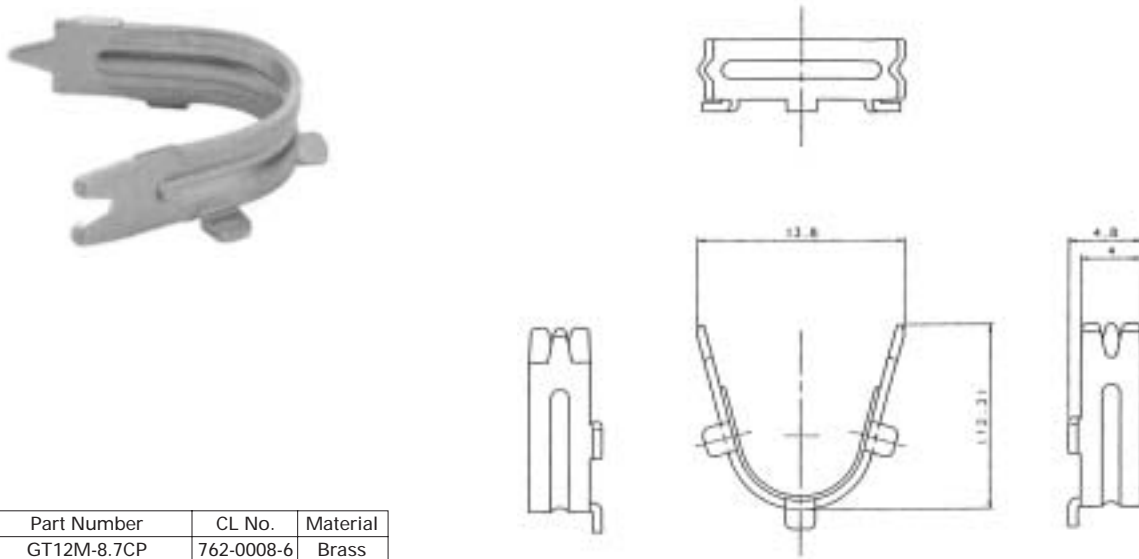
Part Number	CL No.	Item	Material	Finish
GT12M-20/1DS-DS	762-0001-7	Housing	PBT	Color: Black
		Terminal	Copper alloy	Tin plating
		Insulation	PBT	Color: Dark gray
		Inner terminal	Brass	Tin plating
		Outer terminal	Brass	Tin plating

● Cover



Note 1: This product suits cables having an outside diameter of 8.6 to 8.8 mm.
 Note 2: This product is sold as a set of cover and screws.

● Cable Clamp Terminal



Note: This terminal suits cables having an outside diameter of 8.6 to 8.8 mm.