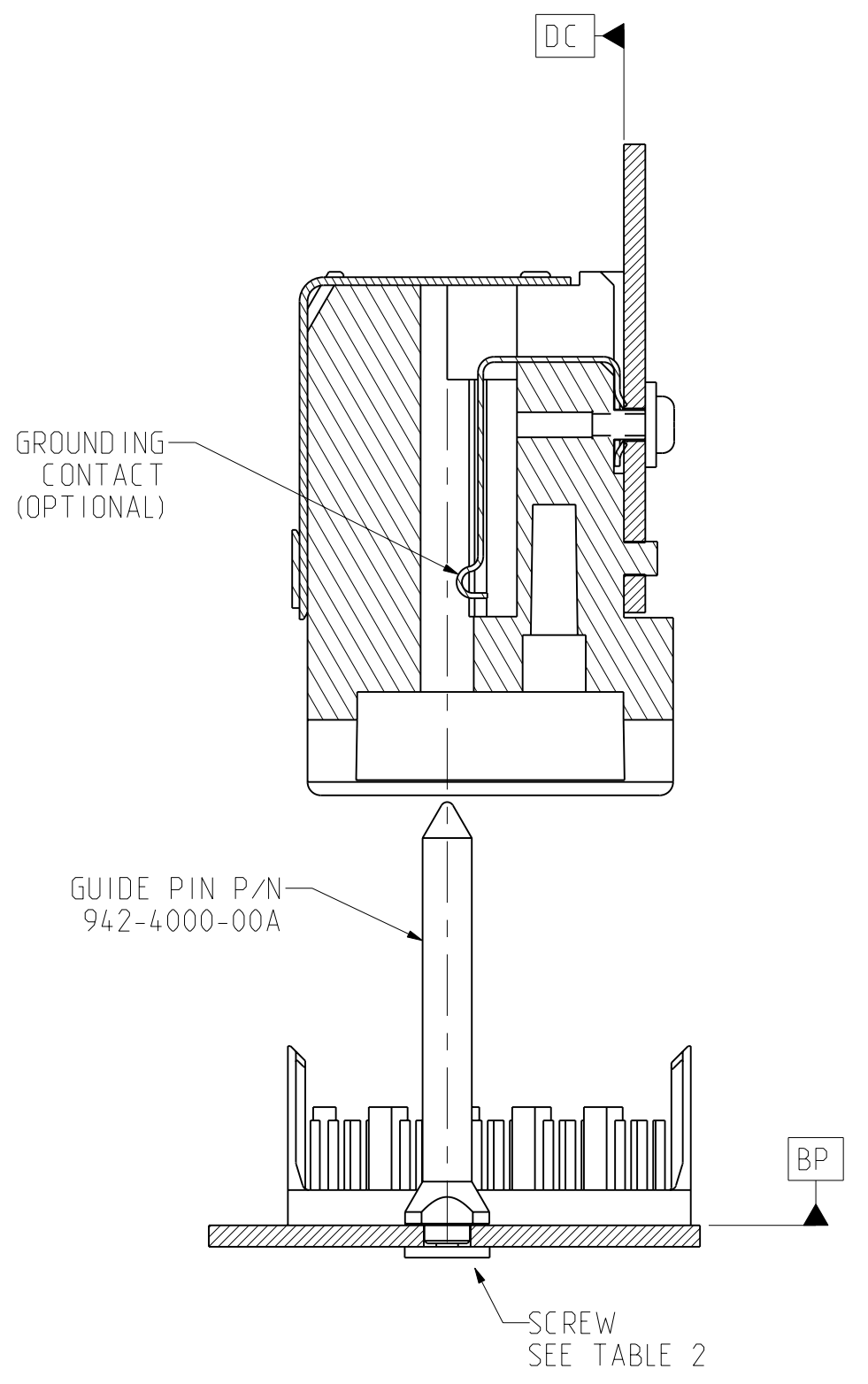
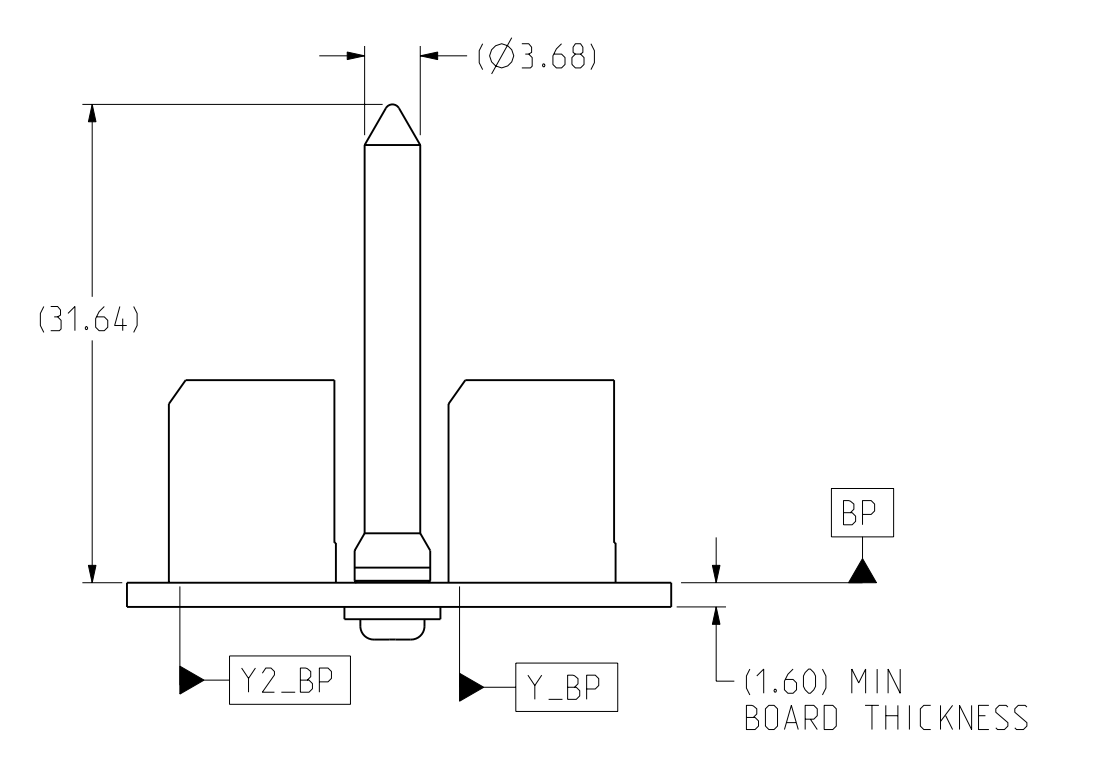
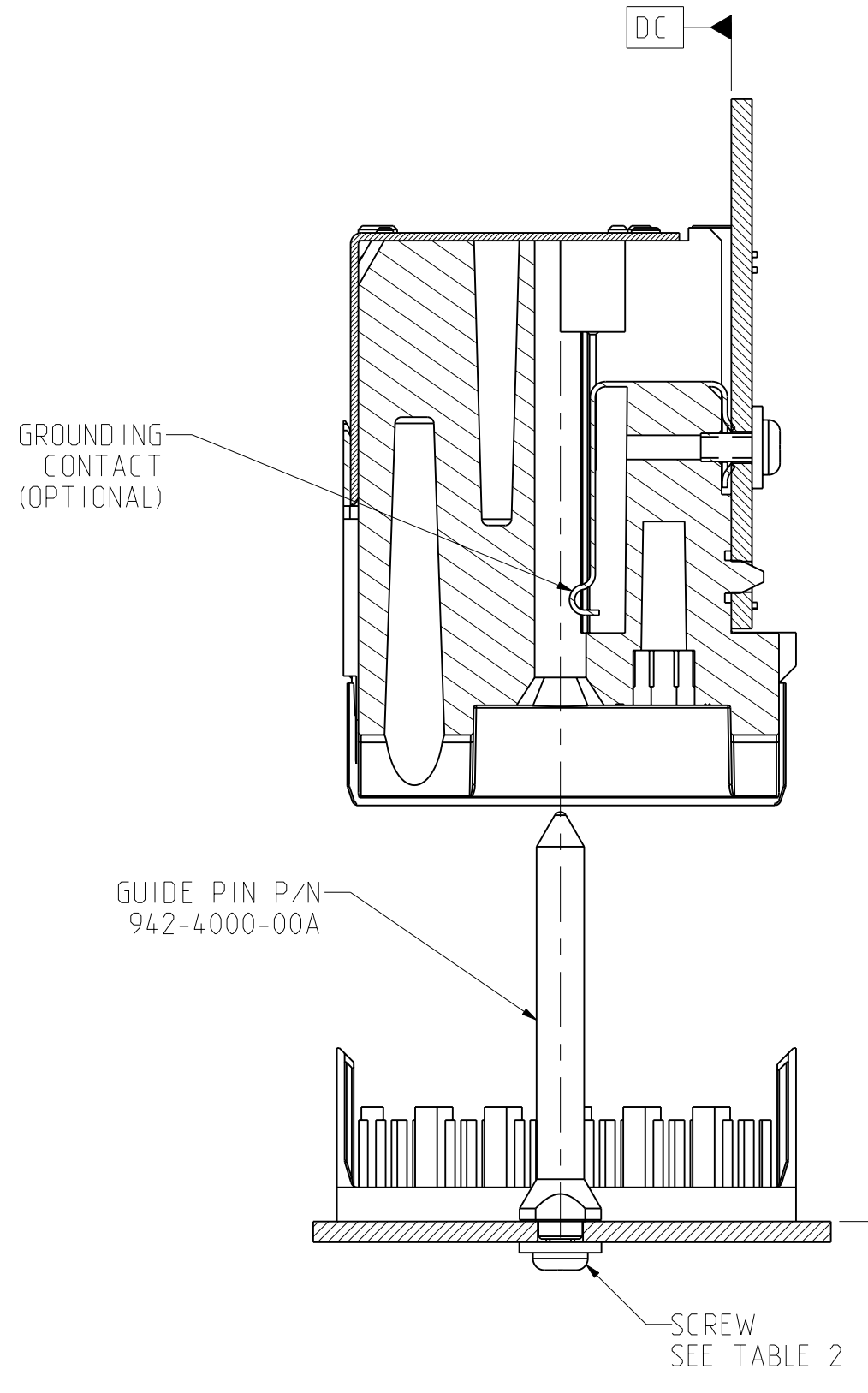
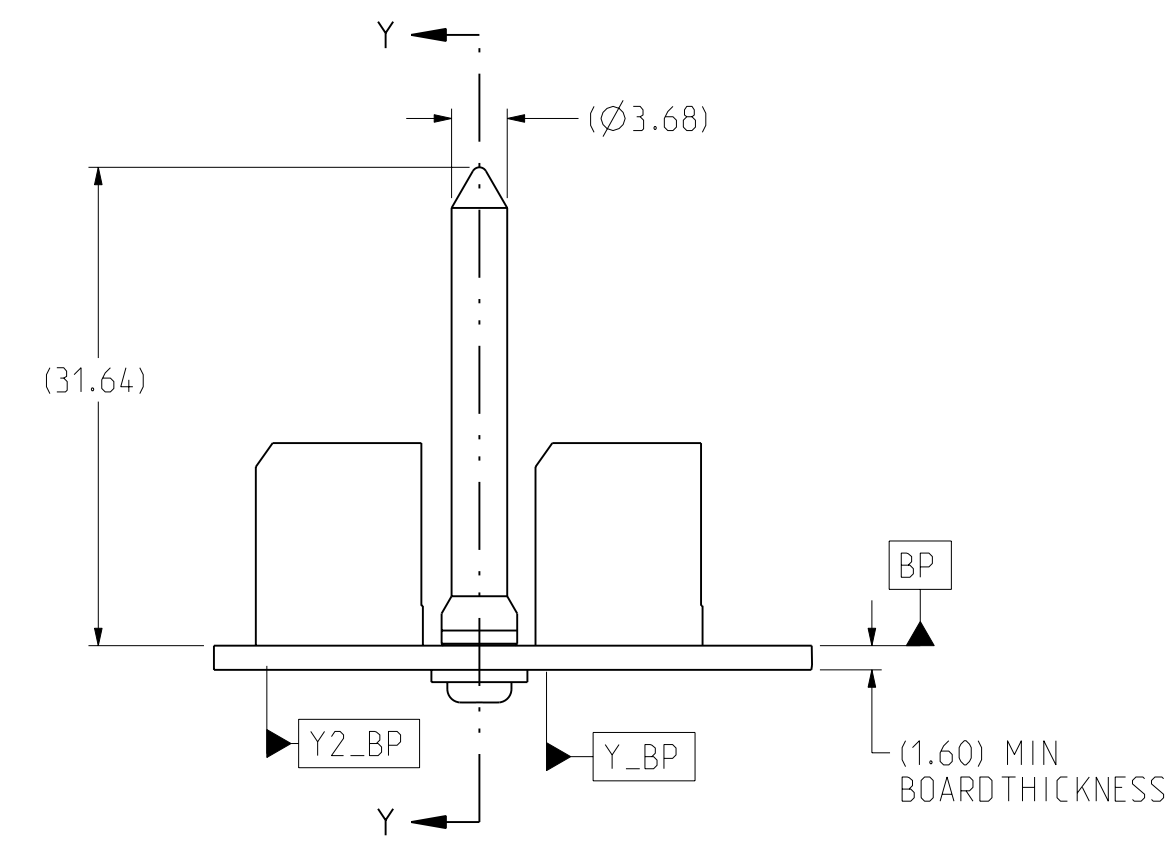
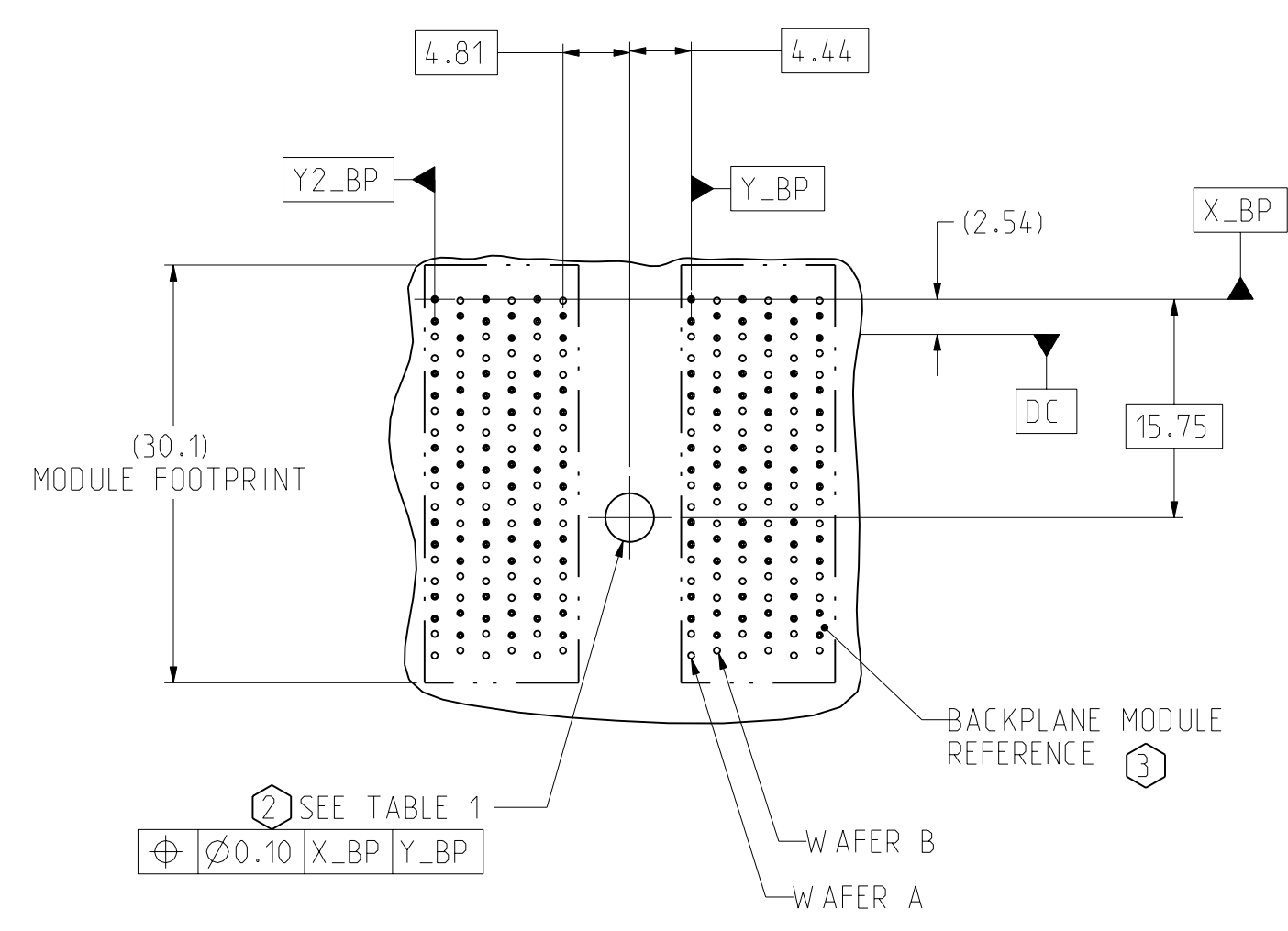
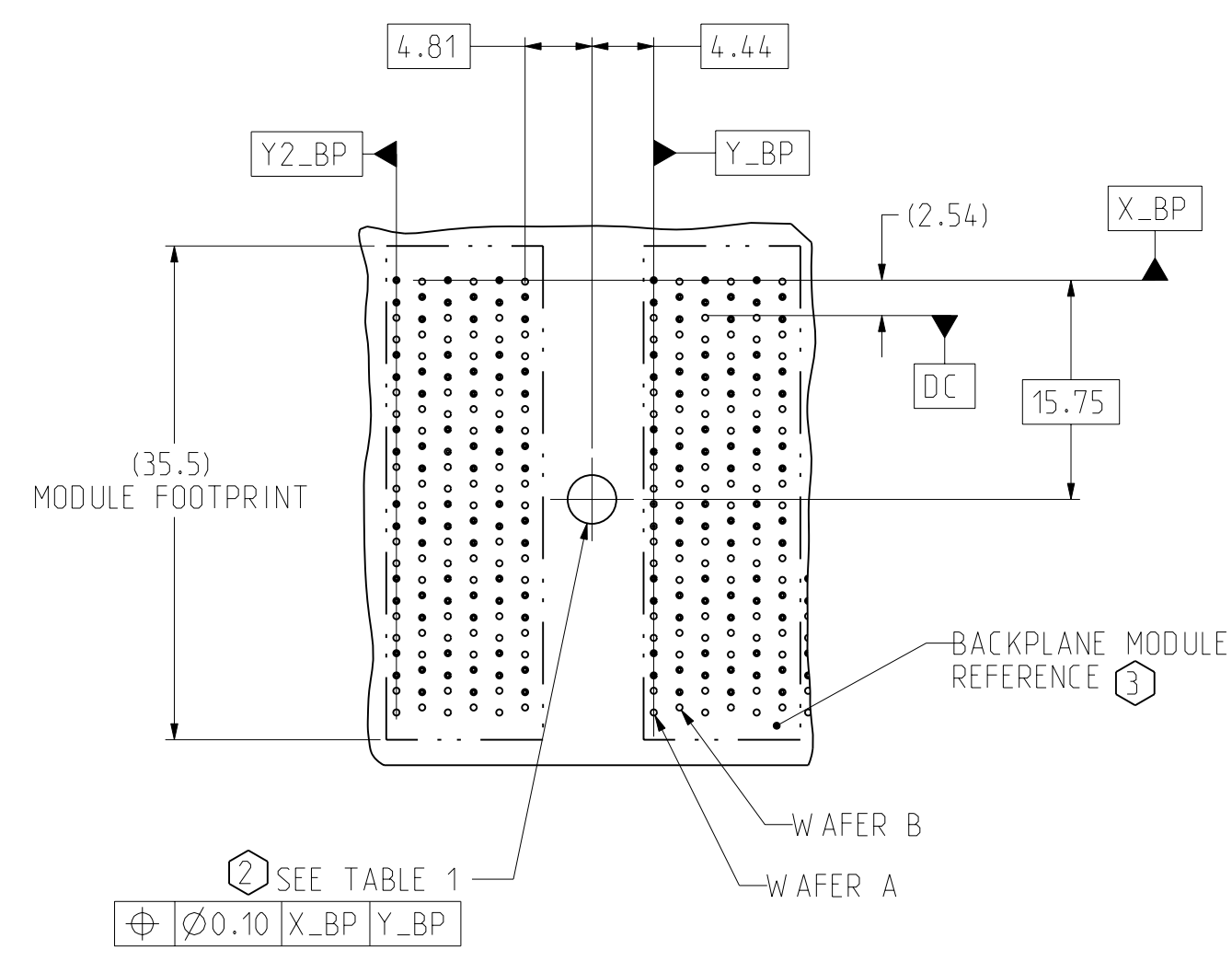


ZONE	REV	SCR NUMBER	DESCRIPTION	BY	DATE	APPROVED
ALL	A	AASY-7L5Q87.VER01	NEW RELEASE	HCL-RB	11/12/2008	D.SMITH
	B	AASY-7X7NSQ.VER01	ADDED CUSTOM APPLICATION IN SHEET 3	HCL-RK	11/12/2009	D.SMITH
	C	JDUM-88VQHC.VER01	ADDED DETAILS OF XCede ORTHO 4 PAIR	HCL-AP	09/14/2010	D.SMITH



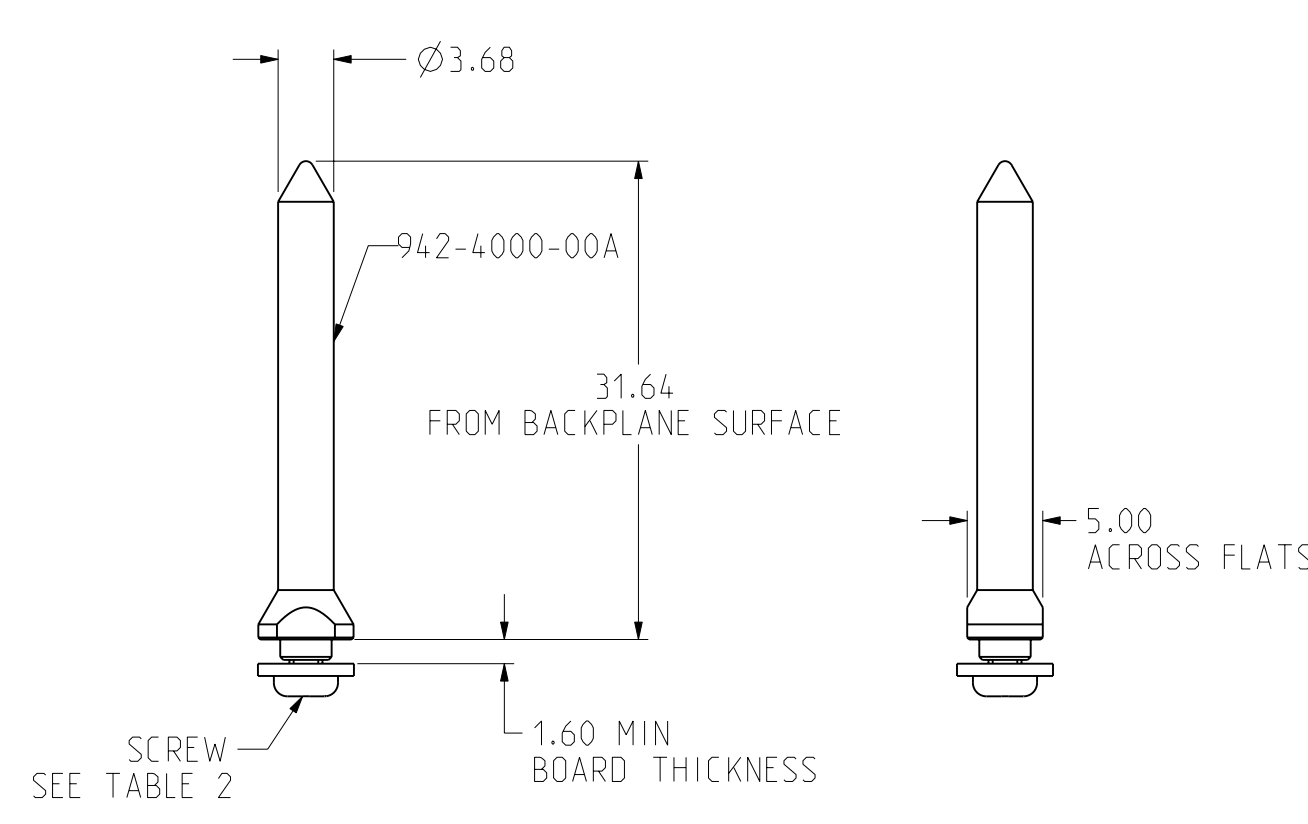
**6 PAIR CONFIGURATION**

**5 PAIR CONFIGURATION**

	UNGROUND	GROUND <sup>2</sup>
FHS	Ø3.48 - 3.63	Ø3.48 - 3.63
PAD	N/A	Ø6.5
PLATED	NO	YES
DRILL (mm)	3.57 mm	3.66 mm
DRILL (in)	0.1405"	0.144"

SCREW P/N	DESCRIPTION	BOARD THICKNESS
577-0014-000	#2-56 X 0.375" LG. PHILIPS PANHEAD W/SQ CONICAL WASHER	1.60 - 5.00 mm
577-0015-000	#2-56 X 0.5" LG. PHILIPS PANHEAD W/SQ CONICAL WASHER	5.00 - 8.00 mm
577-0016-000	#2-56 X 0.625" LG. PHILIPS PANHEAD W/SQ CONICAL WASHER	8.00 - 10.00 mm

- NOTES:
- REFER TO TB-2150 FOR XCede PRODUCT SPECIFICATIONS.
  - PLATED THROUGH HOLE TO CONNECT TO CHASSIS FOR GROUNDED GUIDE MODULE OPTION. SEE TB-2149 FOR ROUTING GUIDELINES.
  - REFER TO BP CUSTOMER USE DRAWING FOR ROW AND COLUMN ASSIGNMENTS.



**Amphenol TCS**  
A Division of Amphenol Corporation  
200 Innovative Way, Nashua, NH 03062 603.879.3000

TOLERANCES	DESIGN 08/25/06 C.LEIGHTON	<b>TITLE</b> STANDALONE, GUIDE PIN, Ø3.68 mm XCede 3, 4, 5, 6 PAIR BACKPLANE
0.0 ±0.25	DRAWN 07/25/2006 LEIGHTON	
0.00 ±0.13	CHK 07/25/2006 LEIGHTON	
0.000 ± -	APVD 07/25/2006 A.PFAHNL	
ANGLES ± 3°	UNLESS OTHERWISE SPECIFIED DIMENSIONS ARE IN MM. DECIMAL MARKER IS PERIOD	
PART NO. 942-4000-00A		REV N/A
DRAWING NO. C942-4000-000		REV C
Pro/E Type: 01109-CONNECTORS-GUIDE		1.14
Pro/E DRAWING: C942-4000-000		C.O
SIZE D	SCALE 2/1	SHEET 1 OF 3

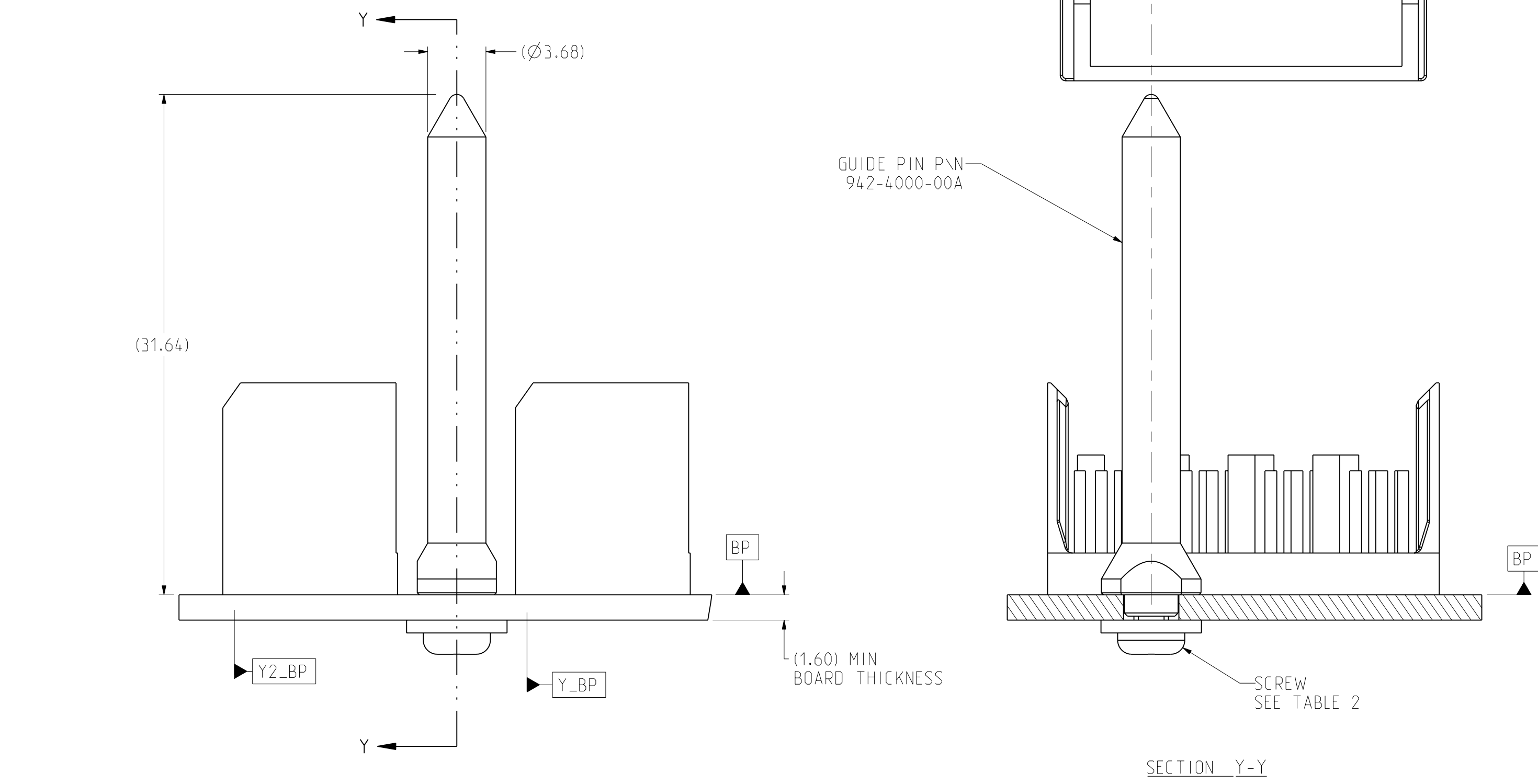
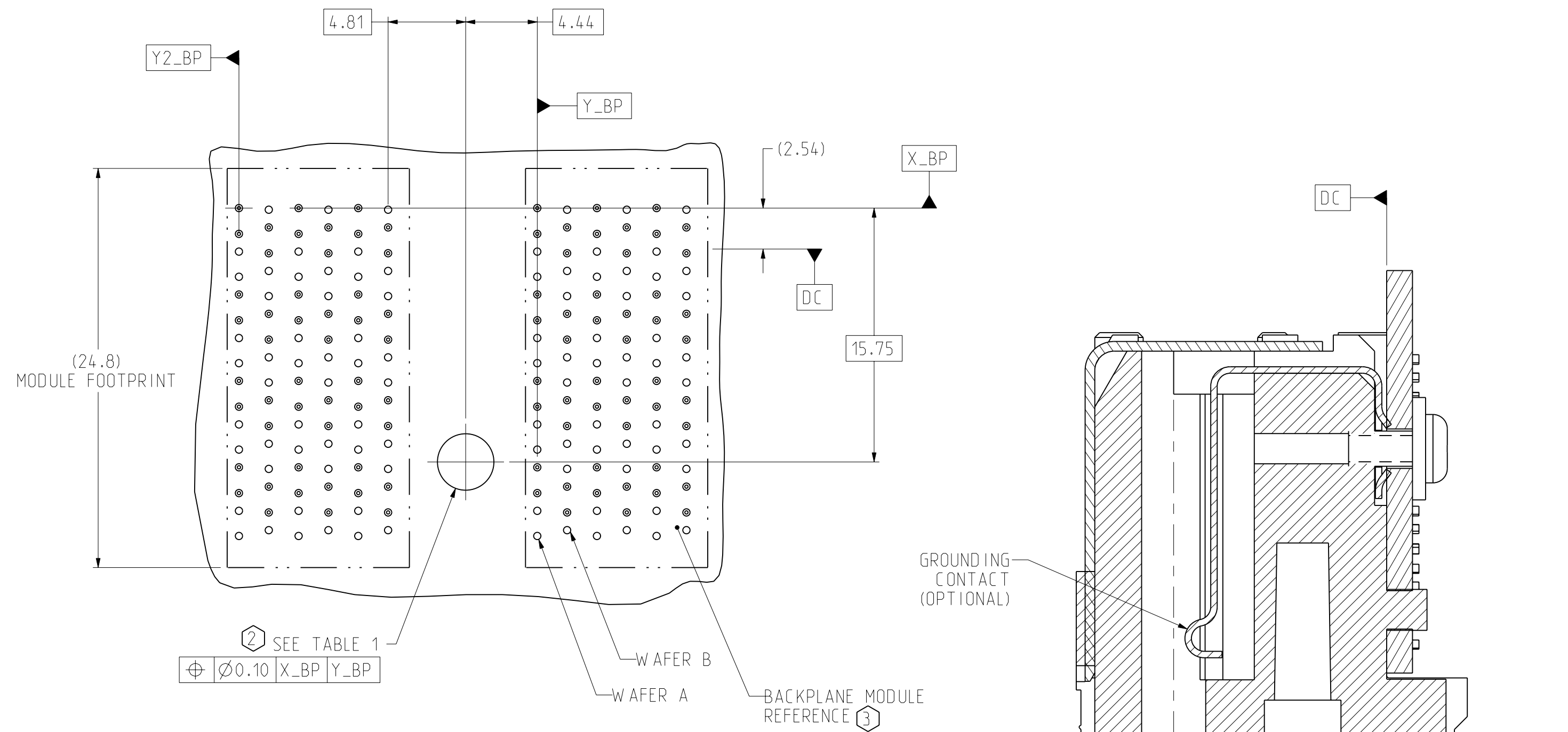
INTERPRET PER ASME Y14.5M  
CODE IDENT 31413

CUSTOMER USE DRAWING

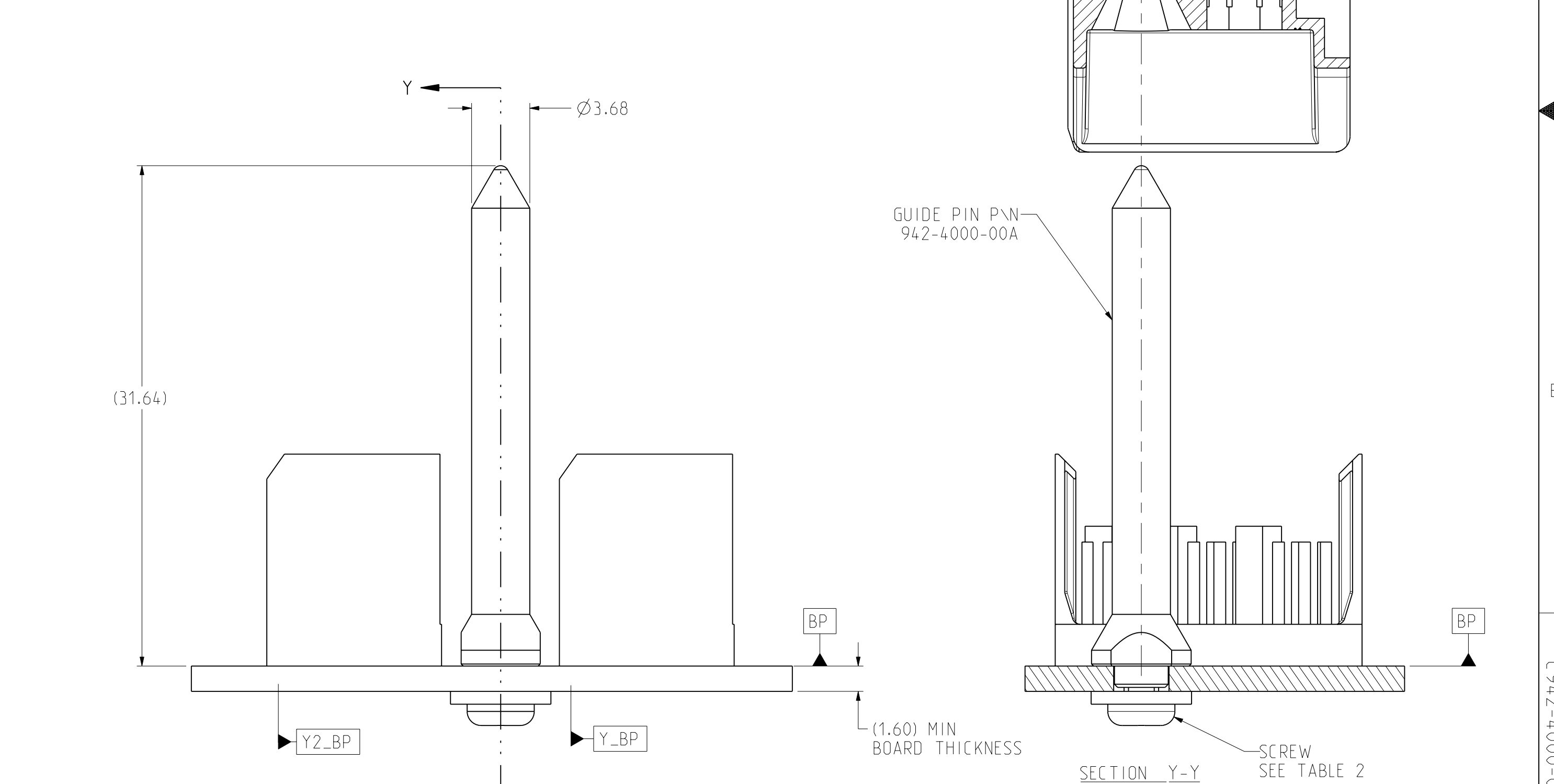
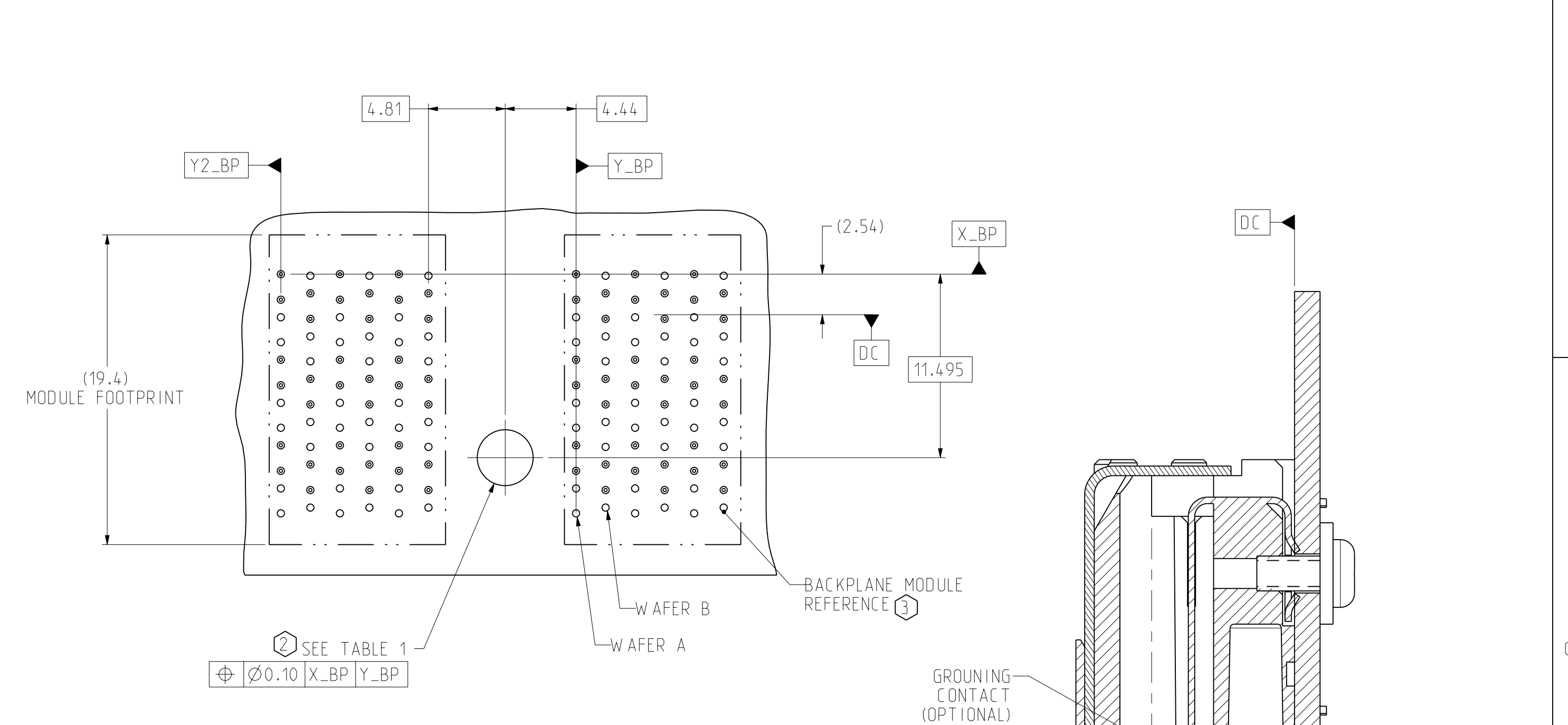
DRW NO. C942-4000-000

SH 1 REV C

DRW NO.	C942-4000-000	SH	2	REV	C	
ZONE	REV	SCR NUMBER	DESCRIPTION	BY	DATE	APPROVED
			SEE SHEET 1			



**4 PAIR CONFIGURATION**

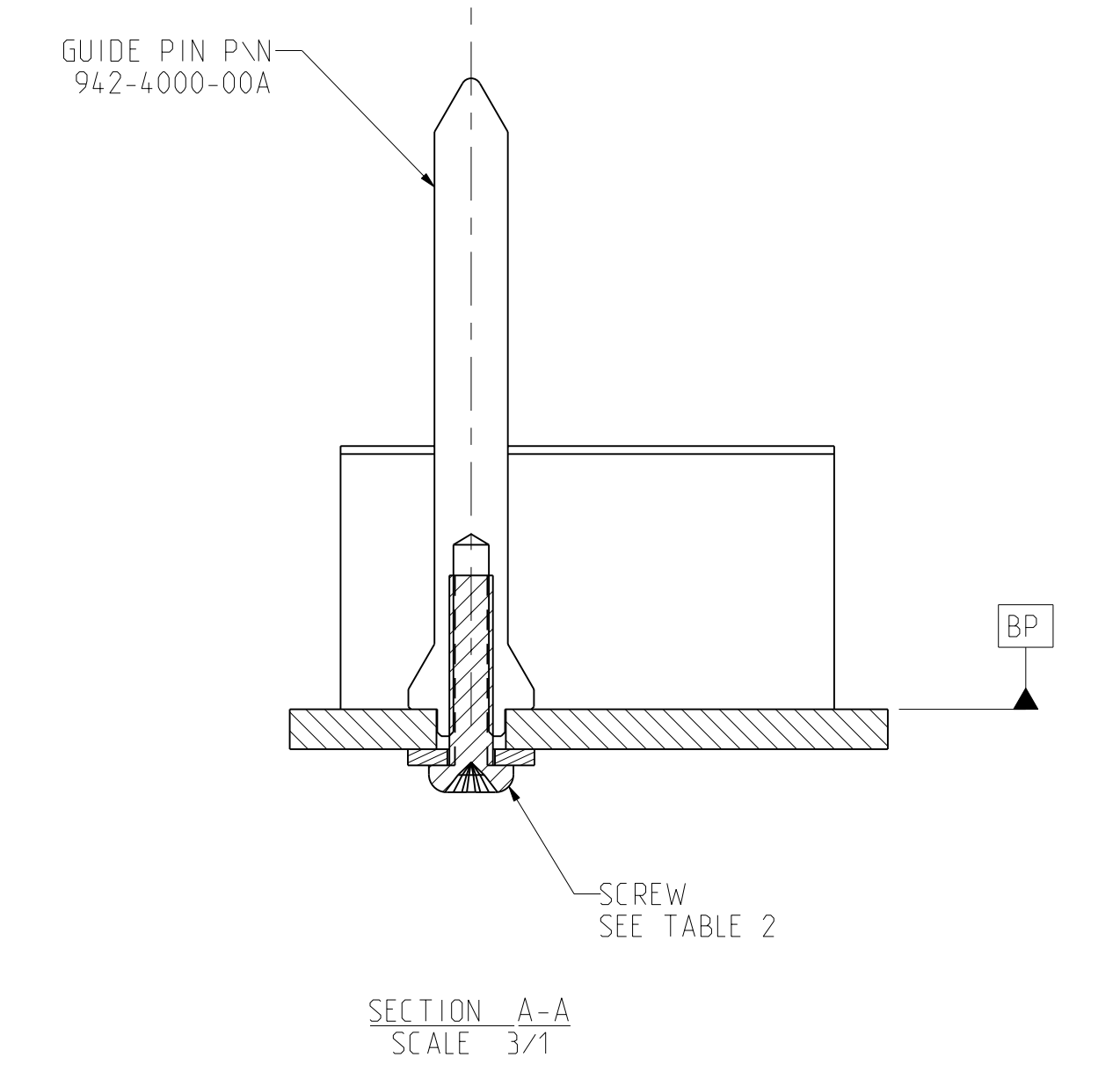
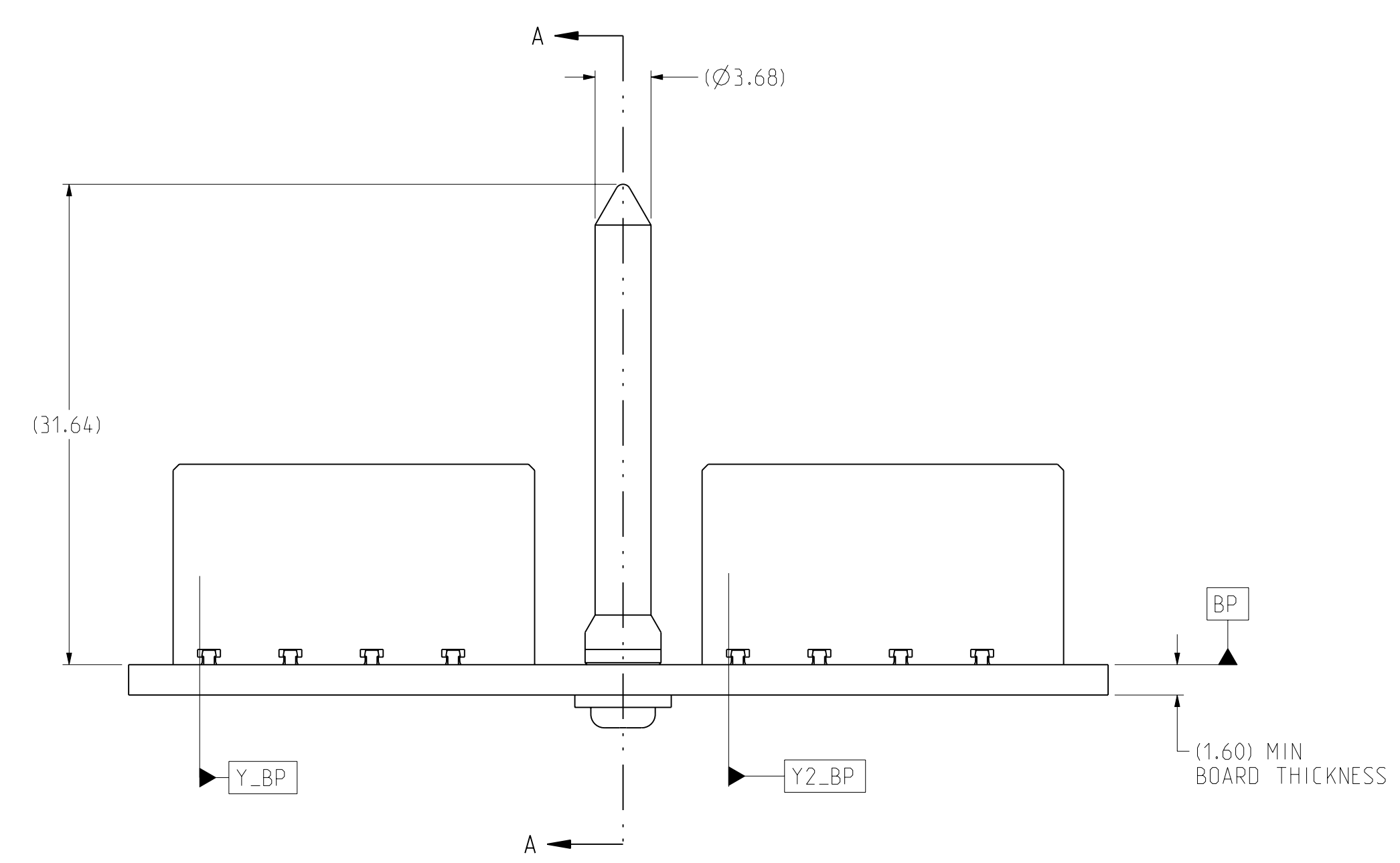
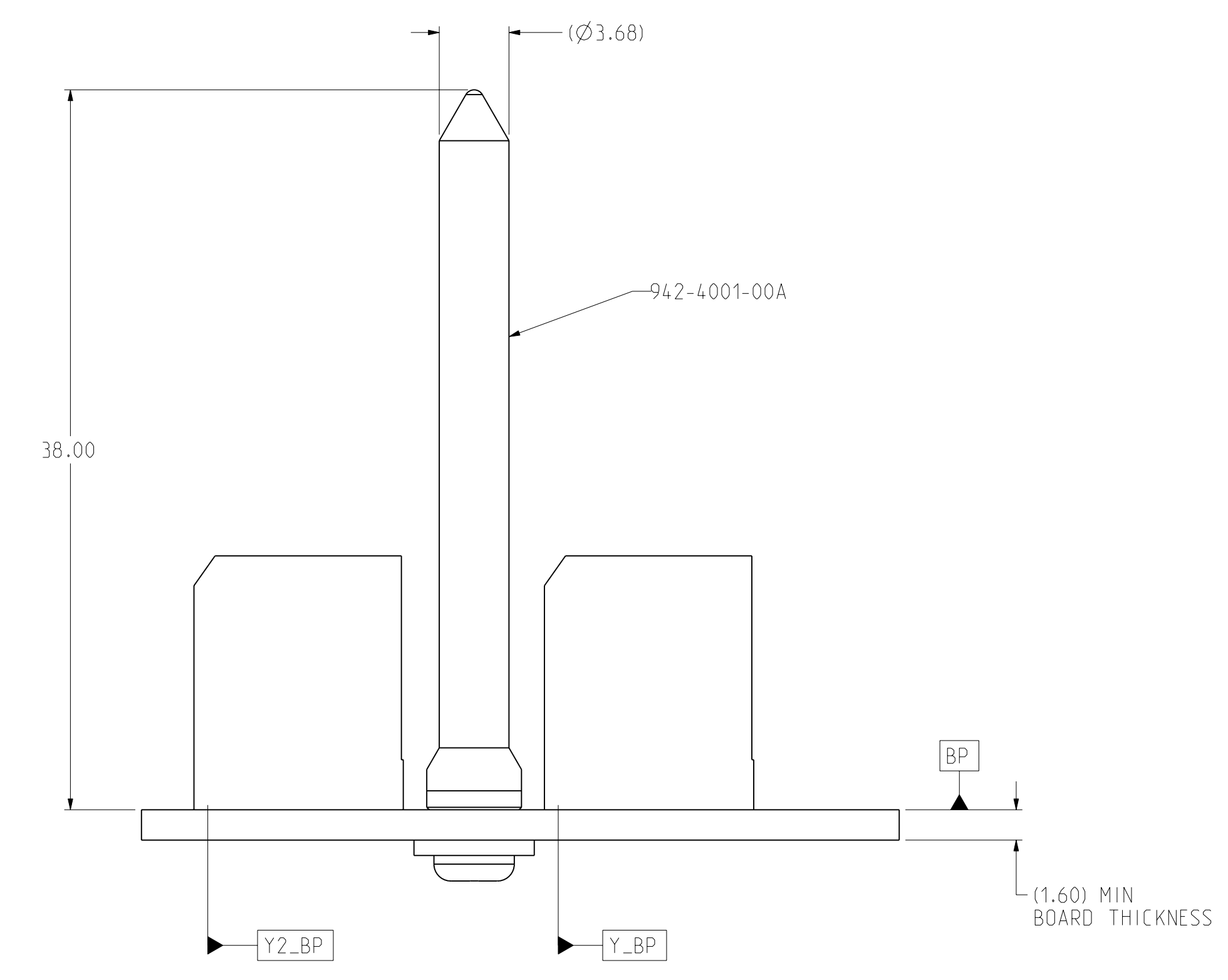
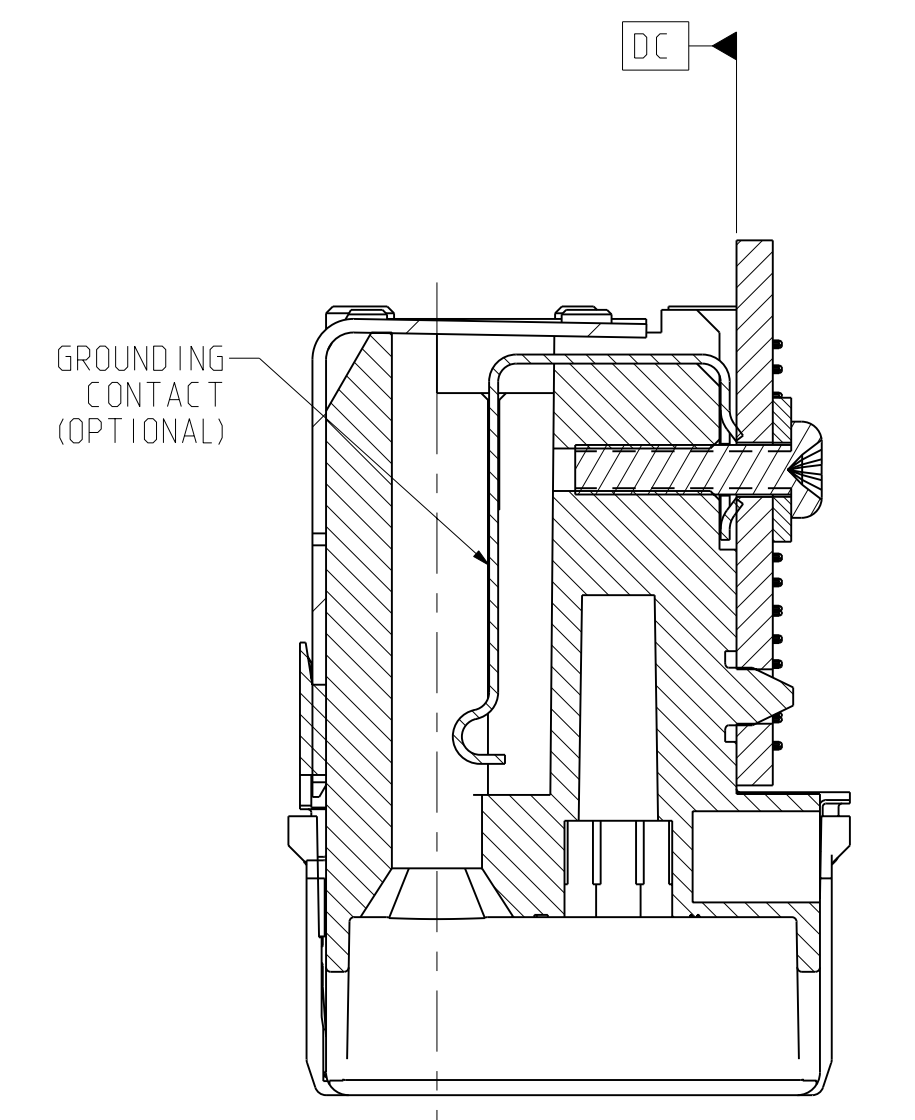
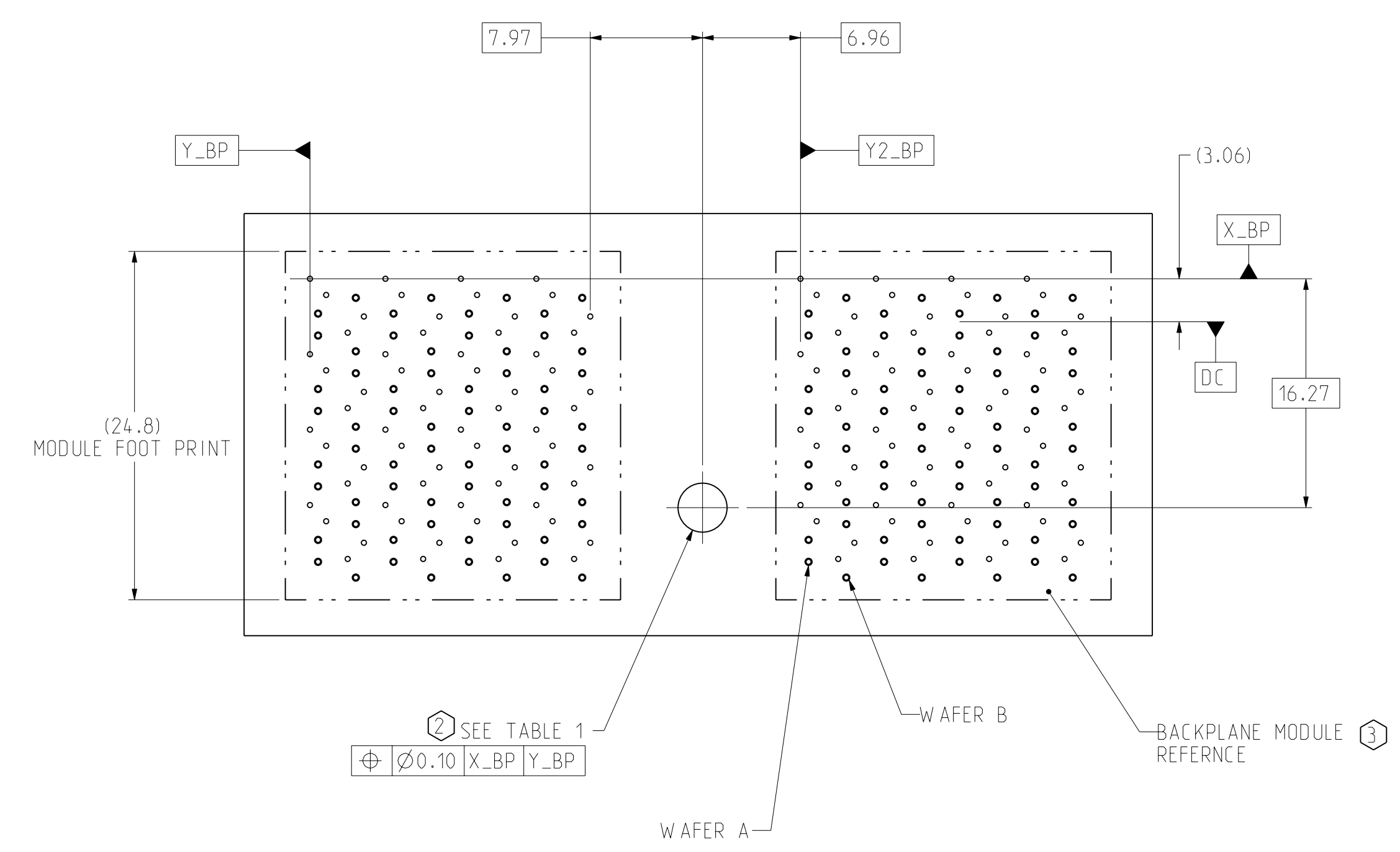
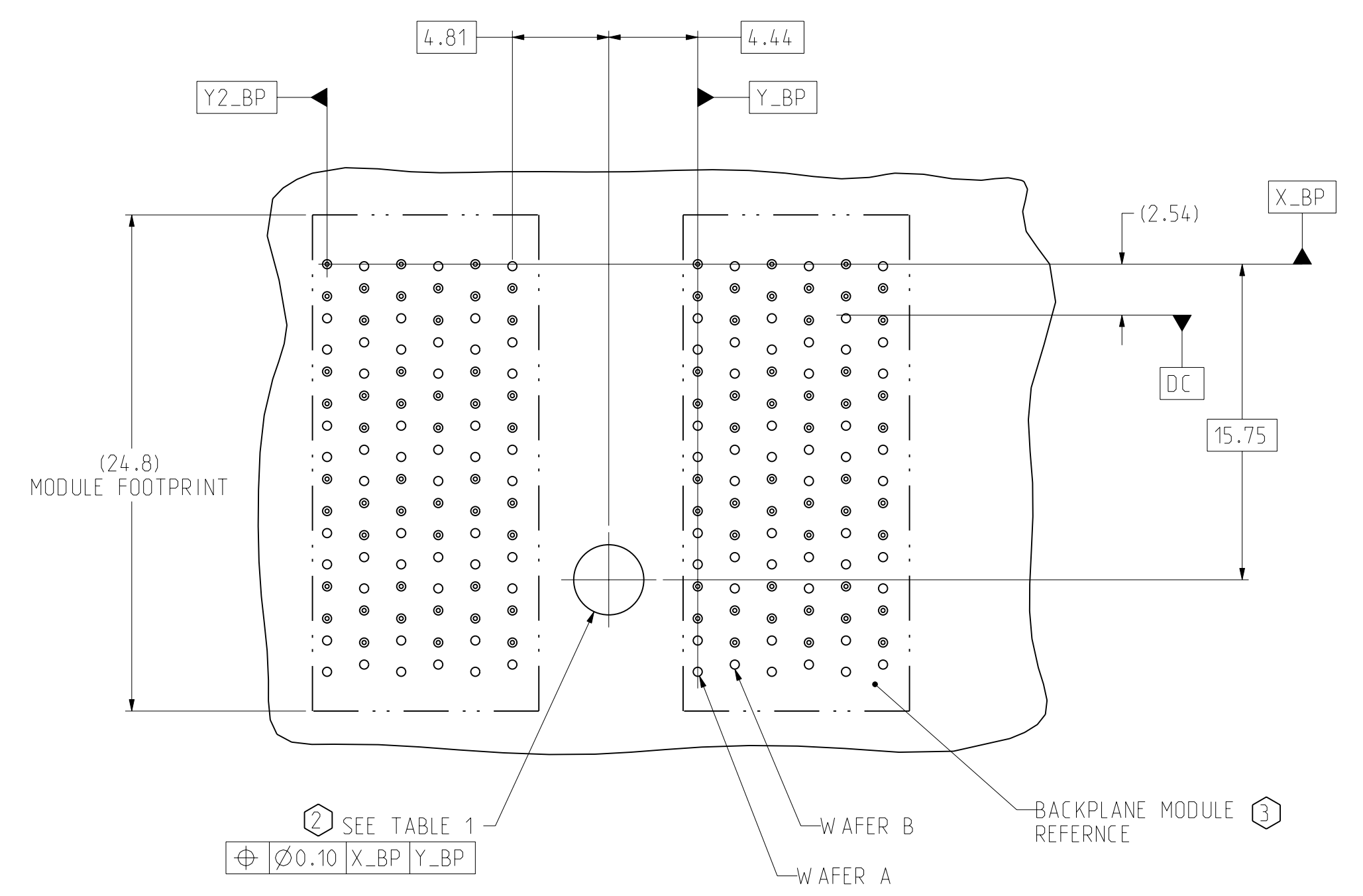


**3 PAIR CONFIGURATION**

TOLERANCES	DESIGN 07/19/2006 C. LEIGHTON	<b>Amphenol TCS</b> A Division of Amphenol Corporation 200 Innovative Way, Nashua, NH 03062 603.879.3000	TITLE	STANDALONE, GUIDE PIN, Ø3.68 mm XCode 3, 4, 5, 6 PAIR BACKPLANE	
0.0 ±0.25	DRAWN 07/25/2006 LEIGHTON		PART NO.	942-4000-00A	
0.00 ±0.13	CHK 07/25/2006 LEIGHTON		DRAWING NO.	C942-4000-000	
0.000 ± -	APVD 07/25/2006 A. PFAHNL		Pro/E Type: 01109-CONNECTORS-GUIDE	4.9	
ANGLES ± 3°			Pro/E DRAWING: C942-4000-000	C.O	
UNLESS OTHERWISE SPECIFIED DIMENSIONS ARE IN MM, DECIMAL MARKER IS PERIOD		CUSTOMER USE DRAWING	SIZE D	SCALE 2/1	SHEET 2 OF 3

INTERPRET PER ASME Y14.5M  
CODE IDENT 31413

DRW NO. C942-4000-000  
SH 2  
REV C



**CUSTOM STANDALONE GUIDE PIN APPLICATION**

**ORTHO 4 PAIR CONFIGURATION**

TOLERANCES		DESIGN 07/19/2006 C. LEIGHTON	<b>Amphenol TCS</b> A Division of Amphenol Corporation 200 Innovative Way, Nashua, NH 03062 603.879.3000	TITLE	STANDALONE, GUIDE PIN, Ø3.68 mm XCode 3, 4, 5, 6 PAIR BACKPLANE	
0.0	±0.25	DRAWN 07/25/2006 LEIGHTON		PART NO.	942-4000-00A	REV N/A
0.00	±0.13	CHK 07/25/2006 LEIGHTON		DRAWING NO.	C942-4000-000	REV C
0.000	± -	APVD 07/25/2006 A. PFAHNL		PROJ TYPE	Q1109-CONNECTORS-GUIDE	4.9
ANGLES	± 3°	UNLESS OTHERWISE SPECIFIED DIMENSIONS ARE IN MM. DECIMAL MARKER IS A PERIOD.		PROJ. DRAWING	C942-4000-000	C.O.
INTERPRET PER ASME Y14.5M		CUSTOMER USE DRAWING		SIZE D	SCALE 2/1	SHEET 3 OF 3
CODE IDENT 31413						

DRW NO. C942-4000-000

SH 3 REV C