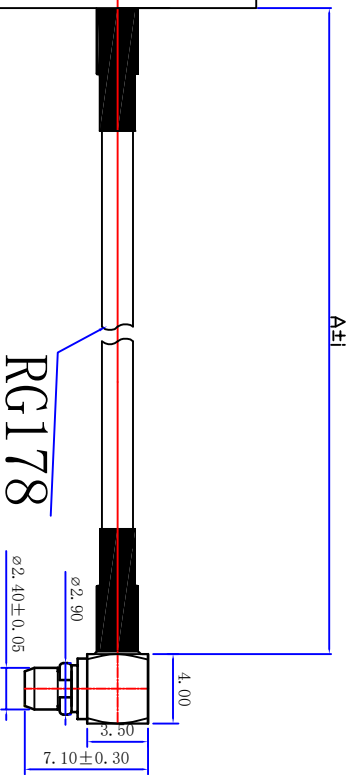
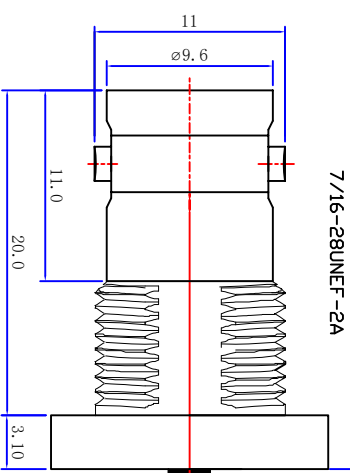
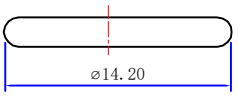
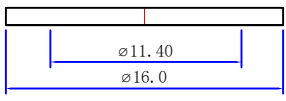
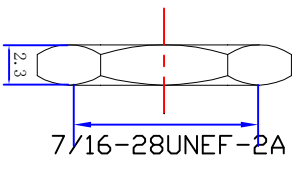
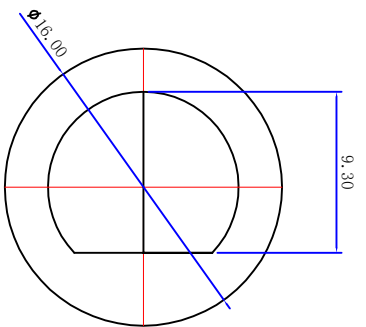




Customer NO: DOSIN-811-0677

REV	DESCRIPTION	DWN	DATE	APPROVEN
A	First Issue	Mr. CHEN	2019/3/22	John kine
B	增加料号	W. cheng	2020/07/20	John kine



Specification:
 Impedance: 50 Ohms
 VSWR:1.3MAX
 Frequency range:DC~3G
 Working Voltage:500V rms @ sea level
 Insulation resistance:5000 Ohms min
 Temperature range:-55°C TO +155°C
 Relative temperature: ≤95%(40° C±2° C)
 Drawings products are in line with ROHS standards.

6	3	2	1
MMCX R/A PLUG	BRASS	GOLD	1
CABLE	RG178		230
BNC JACK	BRASS	NICKEL	1
DESCRIPTION	MATERIAL	FINISH	QTY

NOTE:		Tolerance	
DRAWN	Zelin.chen	X	±0.15
CHECKED		X.X	±0.10
APPROVALS	John	X.XX	±0.05
		Angular	±5°
View			
UNIT	MM		
SCALE	1:1		

PRODUCT NO	SIZE(A)	TOLERANCE(i)
DOSIN-811-0677	230mm	5.0mm
DOSIN-811-0677A	300mm	10.0mm

Name: BNC JACK TO MMCX R/A PLUG FOR RG178 CABLE
DOSIN *Dosin Industrial(HK)Co.Ltd*
 东莞市德泰五金电子有限公司
Dosin Hardware Electronics Co., Ltd
 E-mail: dosin2005@163.com
 dosin2005@dosing-china.com
 Web: http://www.dosing.com
 TEL: (0086) 769-81153906
 FAX: (0086) 769-81875836

SIZE	Product NO.	CAD FILE	SHEET: 1 OF 1
A	DOSIN-811-0677	H/company drawings/BD	REV B