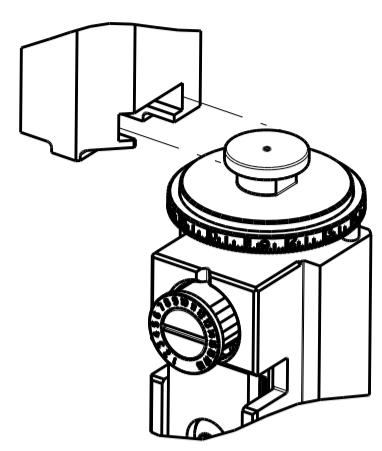


ATLANTIC VERSION TERMINATOR INTERFACE ADAPTER	PART NUMBER	REVISION	DESCRIPTION	FEED TYPE	CONVERT TO	PART NUMBERS REQUIRED					
	2151672-1	B	FINE CRIMP HEIGHT ADJUST	MECHANICAL	PNEUMATIC FEED	2119950-1	1338685-1	5-18022-5	2119641-1	2119799-1	2063440-1
	2151672-2	B	FINE CRIMP HEIGHT ADJUST	PNEUMATIC	SERVO LATCH PLATE	2119951-1	-	8-2151672-5	1901094-3	-	2168400-6 (QUANTITY 2)
					SMART APPLICATOR	2161326-1	-	8-2151672-4	-	-	
					MECHANICAL FEED	2119949-1	1338685-1	5-18022-5	2119653-1	-	-
	2151672-5	B	FINE CRIMP HEIGHT ADJUST	SERVO LATCH PLATE	SERVO LATCH PLATE	2119951-1	-	8-2151672-5	1901094-3	-	2168400-6 (QUANTITY 2)
					SMART APPLICATOR	2161326-1	-	8-2151672-4	-	-	
					MECHANICAL FEED	2119949-1	1338685-1	5-18022-5	2119653-1	-	-
2151672-6	B	NON-CRIMP HEIGHT ADJUST	SERVO LATCH PLATE	-	-	-	-	-	-	-	-
2151672-7	B	FINE CRIMP HEIGHT ADJUST	NONE	-	-	-	-	-	-	-	-
7-2151672-7	A	CRIMP TOOLING KIT	-	-	-	-	-	-	-	-	-

APPLICATOR DATA		
CRIMP WIRE	SIZE	TYPE
INSUL	0.90 mm [.035]	F
INSUL	1.00 mm [.039]	O

APPLICATOR INSTRUCTIONS 408-10389

TERMINAL DATA: TE TERMINAL	TE CRIMP SPECIFICATION
TERMINAL NAME: CABLE PLUG CONTACT, 1.5CL WIRE TO BOARD CONNECTOR	
WIRE STRIP LENGTH 1.10-1.50 mm [.043-.059 IN]	INSULATION DIAMETER RANGE Ø0.80-1.00 mm [.031-.039 IN]
TERMINAL APPLICATION SPECIFICATION 114-99005	
TERMINALS APPLIED	
TE TERMINAL	TE TERMINAL
2129408-1	

WIRE SIZE	CRIMP HEIGHT mm [INCH]	CRIMP HEIGHT REFERENCE SETTING
24 AWG OR 0.20mm <sup>2</sup>	0.61 +/- 0.03 [.024 +/- .001]	9.2
26 AWG OR 0.14mm <sup>2</sup>	0.56 +/- 0.03 [.022 +/- .001]	9.7
28 AWG OR 0.09mm <sup>2</sup>	0.51 +/- 0.03 [.020 +/- .001]	10.3

- 1. RECOMMENDED SPARE PARTS
- 2. GREASE BEARING SURFACES LIGHTLY
- 3. LUBRICATE DAILY PER THE APPLICATOR INSTRUCTION SHEET SUPPLIED WITH THE APPLICATOR.
- 4. APPLICATOR SPECIFIC DATA TO BE ENTERED INTO BLANK MEMORY CHIP AT ASSEMBLY. SEE BELOW FOR PART NUMBER:  
 MECHANICAL FEED WITH "SMART APPLICATOR" CONVERSION: 8-2151672-4  
 PNEUMATIC FEED WITH "SMART APPLICATOR" CONVERSION: 8-2151672-4  
 SERVO FEED WITH "FINE CRIMP HEIGHT ADJUST": 8-2151672-5  
 SERVO FEED WITH "NON-CRIMP HEIGHT ADJUST": 8-2151672-6
- 5. ADJUSTMENT OF THE STRIPPER MAY BE REQUIRED WHEN MOVING THE APPLICATOR BETWEEN BENCH AND LEADMAKER APPLICATIONS.
- 6. APPLY PART NUMBER 1-23419-5 LOCTITE TO THREADS OF ITEMS 50, 62 & 242. FOR -6 ONLY APPLY PART NUMBER 1-23419-5 LOCTITE TO THREADS OF ITEMS 37, 50 & 242.
- 7. GREASE THREADS, GROOVE AND O-RING ON ITEMS 35 & 252.
- 8. MAGNET, ITEM 166 MUST BE ORIENTED CORRECTLY IN ORDER TO PROPERLY ACTUATE THE COUNTER.
- 9. CRIMP HEIGHT REFERENCE SETTING WAS THE SETTING USED WHEN THE APPLICATOR WAS QUALIFIED AT THE FACTORY. ADJUSTMENT MAY BE NECESSARY WHEN RUNNING APPLICATOR IN THE FIELD.
- 10. SPARE FEED CAM STORAGE LOCATION REFER TO INSTRUCTION SHEET FOR ADDITIONAL INFORMATION.
- 11. TO CONVERT THE APPLICATOR TO A NON-CARRIER CUTTING STYLE, REMOVE ITEM 13 AND ATTACH TO THE LOCATION ON THE BACK SIDE OF THE HOUSING. REFER TO INSTRUCTION SHEET FOR ADDITIONAL INFORMATION.
- 12. WHEN ASSEMBLING -6 NON-CRIMP HEIGHT ADJUST APPLICATOR USE SHIM PACK 2119957-2 TO ALIGN APPLICATOR'S MAXIMUM WIRE CRIMP HEIGHT AT NORMAL TERMINATOR SHUT HEIGHT

**\*WARNING**  
 ON INSTALLATION, SET WIRE DISC, ITEM 40 TO LARGEST WIRE SIZE SETTING. USE OF SETTINGS BELOW MINIMUM REQUIRED CRIMP HEIGHT SETTING WILL CAUSE DAMAGE TO CRIMP TOOLING.

-	2	2	2	2	2	22283-1	SPRING, COMPRESSION	279
-	2	2	2	2	2	2-18032-5	SCR, SET, FLT POINT M5 X 20.0	278
-	1	1	1	1	1	1-22281-8	SPRING, COMPRESSION	277
-	1	1	1	1	1	2168083-6	SCR, SKT HD CAP, RoHS, M5 X 65	276
-	1	1	1	1	1	980371-4	SCR, SKT HD SHLDR 5.0 DIA X 6.0	275
-	1	1	1	1	1	356835-1	LEVER, DRAG RELEASE	274
-	1	1	1	1	1	240792-1	DRAG, TERMINAL	273
-	2	2	2	2	2	2168083-1	SCR, SKT HD CAP, RoHS, M3 X 8.0	271
-	1	1	1	1	1	1-690438-0	FRONT STRIP GUIDE	270
-	-	1	-	-	-	2119957-2	APPLICATOR SHIM PACK	260
-	1	-	1	1	1	8-21084-0	O-RING, .676 ID, .070 DIA. MAT.	252
-	-	-	-	1	-	2119640-1	PUSH ROD, AIR FEED	250
-	-	-	-	1	-	2079988-1	BUSHING, LCH5-12, MISUMI	249
-	-	-	-	1	-	2119641-1	FEED CAM, AIR FEED	248
-	1	-	1	1	1	2119798-1	DETENT PIN	247
-	1	-	1	1	1	1-22279-3	SPRING, COMPRESSION	246
-	-	1	-	-	-	2119758-1	RAM, AMP STYLE, SIDE FEED, NON-ADJ.	245
-	1	1	1	1	1	2119082-9	CAM, SNAIL, INSULATION ADJUSTMENT	244
-	1	1	1	1	1	2079764-1	WASHER, WAVE SPRING, CREST-TO-CREST	243
-	1	1	1	1	1	2119083-1	RETAINER, INSULATION DIAL	242
-	1	1	1	1	1	7-18023-7	SCR, SKT HD CAP M3 X 4.0	241
-77	-7	-6	-5	-2	-1	PART NO	DESCRIPTION	ITEM NO

**ATLANTIC VERSION**  
 Shown on sheets 1 of 4 & 2 of 4  
 (Pacific version shown on sheets 3 of 4 & 4 of 4)

SET UP GAUGE	LOC	DIST	REVISIONS					
2119599-1	A	66	P	LTN	DESCRIPTION	DATE	OWN	APVD
			A		RELEASE	27SEP2012	L.Z	S.X
			B		ECR-12-017770	11OCT2012	BH	BH

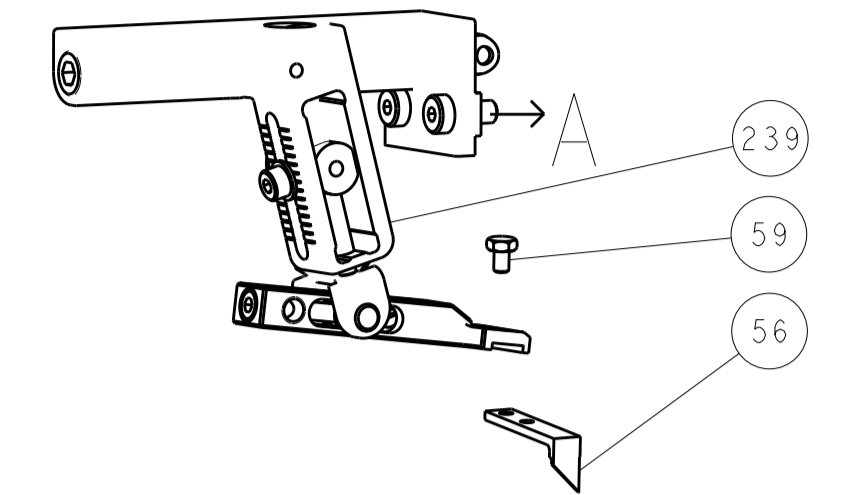
-	-	2	2	-	-	2168400-6	SHCS, LOW HEAD, RoHS, M5 X 16	240
-	-	-	-	-	1	2119580-1	MECHANICAL FEED ASSEMBLY	239
-	-	-	-	-	1	2063440-1	AIR FEED MODULE	238
-	2	2	2	2	2	1-2079383-0	SCR, BHSC, RoHS (M3 X 6)	230
-	-	1	1	-	-	2119740-2	TAG, IDENTIFICATION	213
-	-	1	1	-	-	1901094-3	SPACER, FEEDER	198
-	1	1	1	1	1	1-1976053-0	LOCATER BLOCK, TERMINAL	179
-	1	1	1	1	1	993111-1	PIN, SLOTTED SPRING 3.0 X 20.0	177
-	1	1	1	1	1	8-22280-7	SPRING, COMPRESSION	176
-	1	1	1	1	1	1752353-2	GUIDE PIN, HOLDDOWN	175
-	1	1	1	1	1	1901680-2	GUIDE PIN, HOLDDOWN	174
-	-	-	-	2	-	21045-3	RING, RETAIN, EXTERN, 3/16 CRESCENT	172
-	1	1	1	1	1	994969-1	MAGNET, RARE EARTH HIGH ENERGY	166
-	REF	REF	REF	REF	REF	994970-2	COUNTER, MAGNETIC	164
-	-	-	-	1	-	240638-1	SPRING, FEED FINGER	163
-	-	-	-	1	-	3-23627-7	PIN, RETAIN, GRVD, 3/16 X .854	137
-	-	-	-	1	-	2119799-1	HOLDER, FEED FINGER, AF	136
-	-	REF	REF	-	-	SEE NOTE 4	MEMORY CHIP, PROGRAMMED	135
-	-	1	1	-	-	1633743-1	SERVO FEED LATCH ASM	133
-	1	1	1	1	1	1-18028-2	WASHER, FLAT, REG M4	119
-	-	REF	REF	-	-	2119944-1	FEED FINGER ASSEMBLY, SF	117
-	1	1	1	1	1	2119955-1	ASSY, LUBRICATOR, SIDE FEED	113
-	1	1	1	1	1	2-455888-3	SPACER, CRIMPER	82
-	1	1	1	1	1	5-547505-2	SPRING, COMPRESSION	77
-	1	1	1	1	1	854769-4	HOLDER, INS	74
-	1	1	1	1	1	2119956-1	DOCUMENTATION PACKAGE	71
-	1	1	1	1	1	2119791-5	DEPRESSOR, WIRE	70
-	1	-	-	1	1	2119740-1	TAG, IDENTIFICATION	67
-	2	2	2	2	2	2168078-1	SCREW, DRIVE, RH, RoHS	66
-	1	-	1	1	1	2119793-1	LIMITER, ADJUSTMENT BOLT	63
-	3	-	3	3	3	992763-5	SCR, SET, SOC, CONE POINT, M3 X 4.0	62
-	1	1	1	1	1	2079383-4	SCR, BHSC, RoHS (M4 X 8)	60
-	-	-	-	1	1	5-18022-5	SCR, HEX HD CAP, M4 X 6.0	59
-	1	1	1	1	1	21028-2	PIN, SLOTTED SPRING .062 X .250	58
-	-	-	-	1	1	1338685-1	PAWL, FEED	56
-	4	4	4	4	4	2168400-1	SHCS, LOW HEAD, RoHS, M4 X 12	54
-	1	1	1	1	1	1-5018030-0	NUT, HEX, REG, RoHS, M3.5	52
-	1	1	1	1	1	1-1901681-0	HOLDDOWN, TERMINAL	51
-	1	1	1	1	1	1752354-8	STANDOFF, HOLD-DOWN	50
-	-	-	-	1	2	18023-9	SCR, SKT HD CAP M4 X 6.0	49
-	-	-	-	-	1	2119652-1	FEED CAM, PRE FEED	48
-	-	-	-	-	1	2119653-1	FEED CAM, POST FEED	47
-	1	1	1	1	1	2119656-9	APPLICATOR BASIC ASSEMBLY, SF	46
-	1	-	1	1	1	2119370-1	RAM, AMP STYLE, SIDE FEED	44
-	1	1	1	1	1	2079383-7	SCR, BHSC, RoHS (M8 X 25)	41
-	1	-	1	1	1	2119645-1	DISC, NUMBERED FA WIRE ADJUSTMENT	40
-	1	-	1	1	1	2119957-1	APPLICATOR SHIM PACK	39
-	1	1	1	1	1	2119644-1	RAM WASHER, PRECISION	38
-	1	1	1	1	1	2119085-1	FA HEAD, ATLANTIC STYLE	37
-	1	-	1	1	1	2119092-1	BOLT, ADJUSTMENT	35
-	1	1	1	1	1	4-1752356-3	SUPPORT, TERMINAL	34
-	2	2	2	2	2	2079383-5	SCR, BHSC, RoHS (M4 X 20)	33
-	1	1	1	1	1	2161328-1	HEX HEAD, FLANGED, M5 X 8mm LONG	32
-	1	1	1	1	1	1320908-4	SPACER, STRIP GUIDE	30
-	1	1	1	1	1	2-1901086-0	PLATE, STRIP GUIDE	29
-	1	1	1	1	1	455888-3	SPACER, CRIMPER	28
-	1	1	1	1	1	1320928-2	STRIP GUIDE	24
-	1	1	1	1	1	2168083-2	SCR, SKT HD CAP, RoHS, M4 X 8.0	21
-	1	1	1	1	1	1-18028-2	WASHER, FLAT, REG M4	20
-	1	1	1	1	1	2119533-3	STRIPPER, SIDE FEED	19
-	1	1	1	1	1	2119806-1	INSERT, SHEAR	13
-	1	1	1	1	1	3-22280-3	SPRING, COMPRESSION	12
-	1	1	1	1	1	1-356885-4	STOP, SHEAR	11
-	1	1	1	1	1	2119805-1	SHEAR HOLDER, FRONT	10
-	1	1	1	1	1	1633861-1	SHEAR, FLOATING	9
-	1	1	1	1	1	1633931-1	ANVIL, COMBINATION	8
-	-	-	-	-	-	-	-	7
-	-	-	-	-	-	-	-	6
-	1	1	1	1	1	2119780-9	DEPRESSOR, SHEAR	5
-	1	1	1	1	1	1-238011-6	BLOCK, CRIMPER SPACER	4
-	1	1	1	1	1	2-1633962-4	CRIMPER, INSULATION F PREMIUM	3
-	-	-	-	-	-	-	-	2
-	1	1	1	1	1	2-1633713-8	CRIMPER, WIRE PREMIUM	1
-77	-7	-6	-5	-2	-1	PART NO	DESCRIPTION	ITEM NO

DIMENSIONS:		TOLERANCES UNLESS OTHERWISE SPECIFIED:		DRAWING NO	
mm	0 PLC ±.05	1 PLC ±.05	2 PLC ±.05	3 PLC ±.05	4 PLC ±.05
	ANGLES ±.0001				
MATERIAL	FINISH	WEIGHT	SCALE	SHEET	REV
			1:2	1 OF 4	B

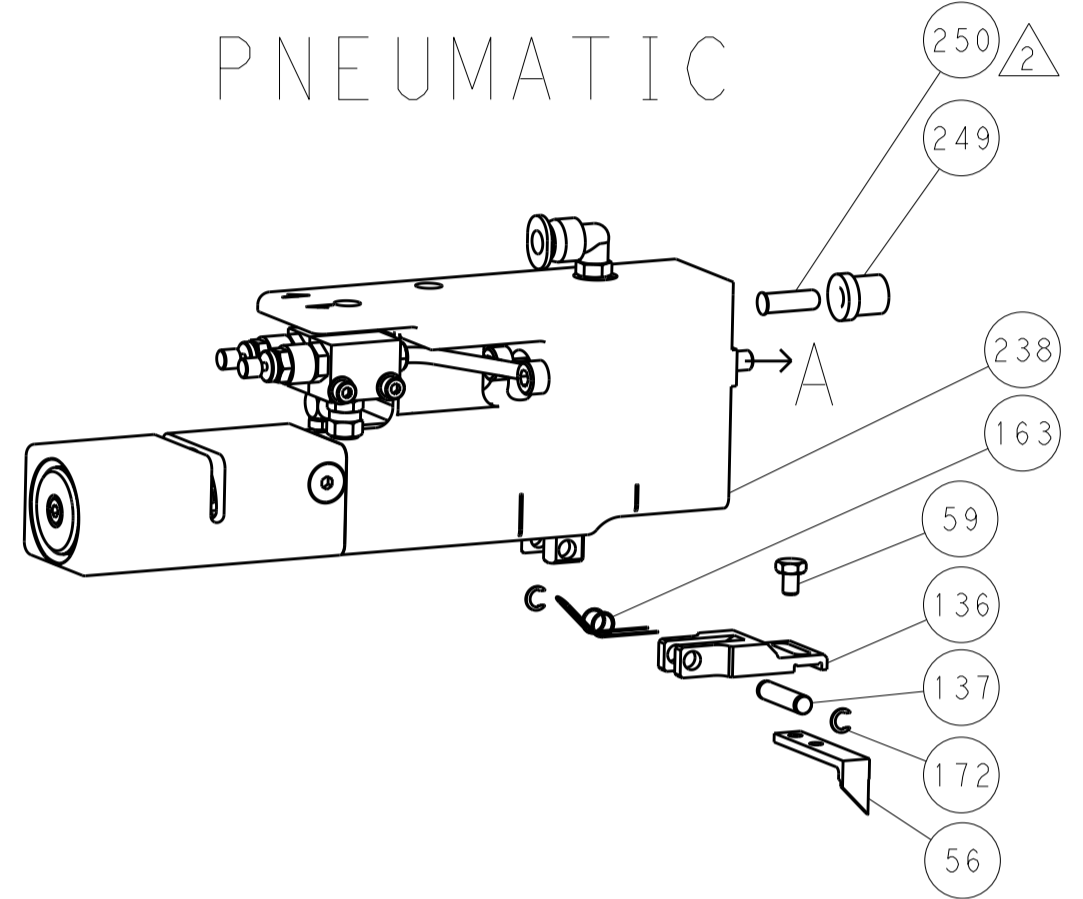
Customer Accessible Production Drawing

LOC		DIST		REVISIONS			
A	66	P	LTN	DESCRIPTION	DATE	OWN	APVD
		-		SEE SHEET 1			

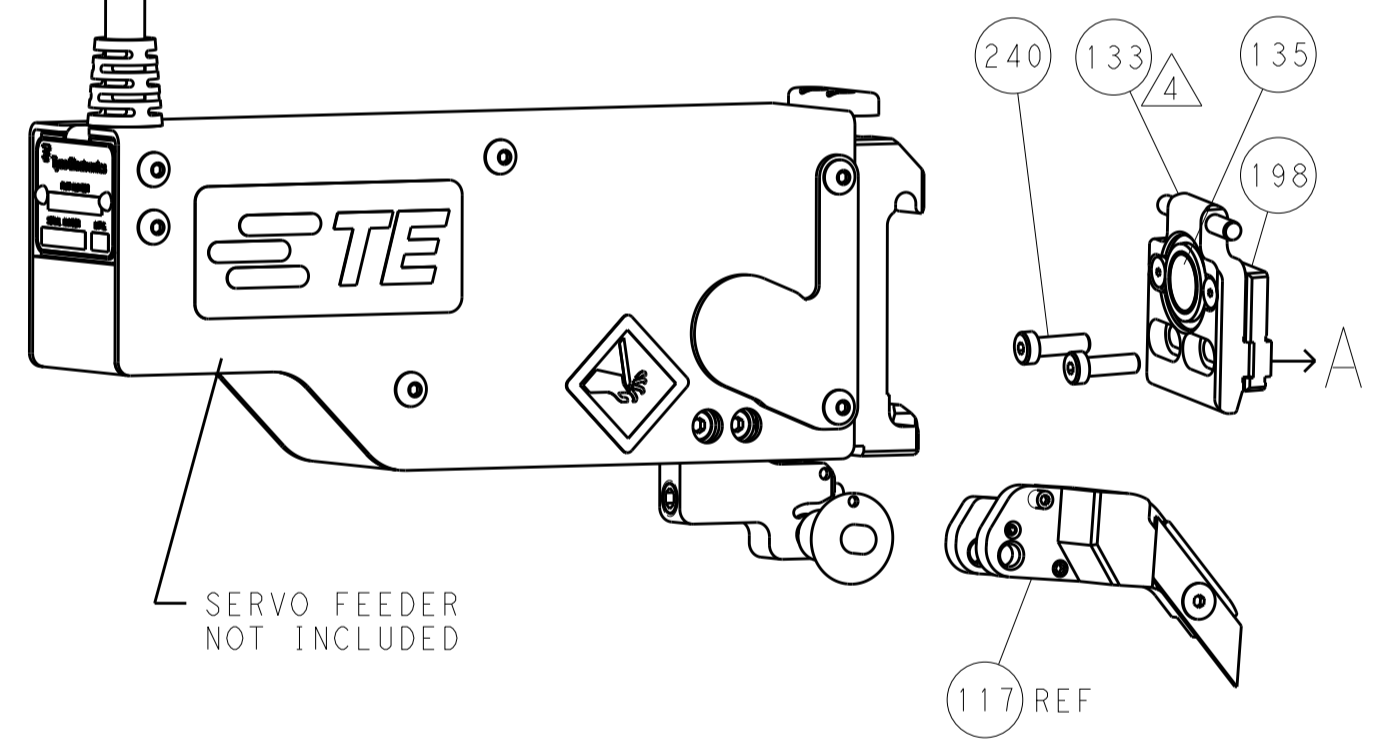
### FEED TYPE MECHANICAL



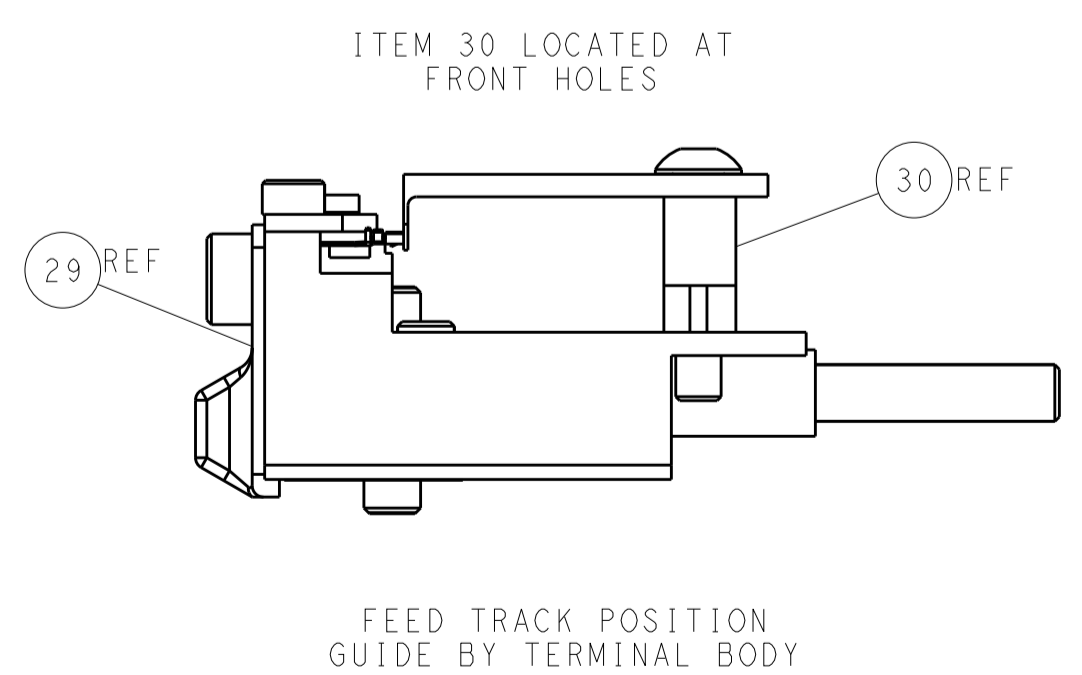
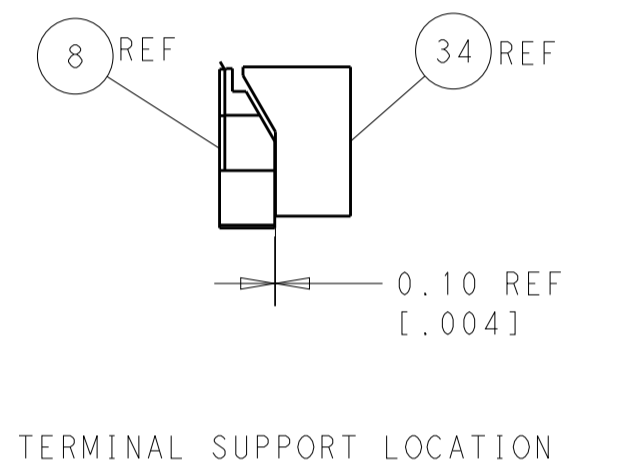
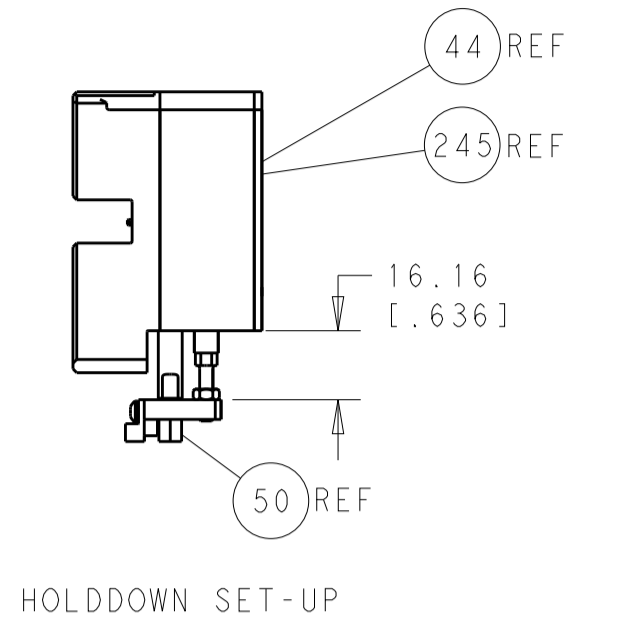
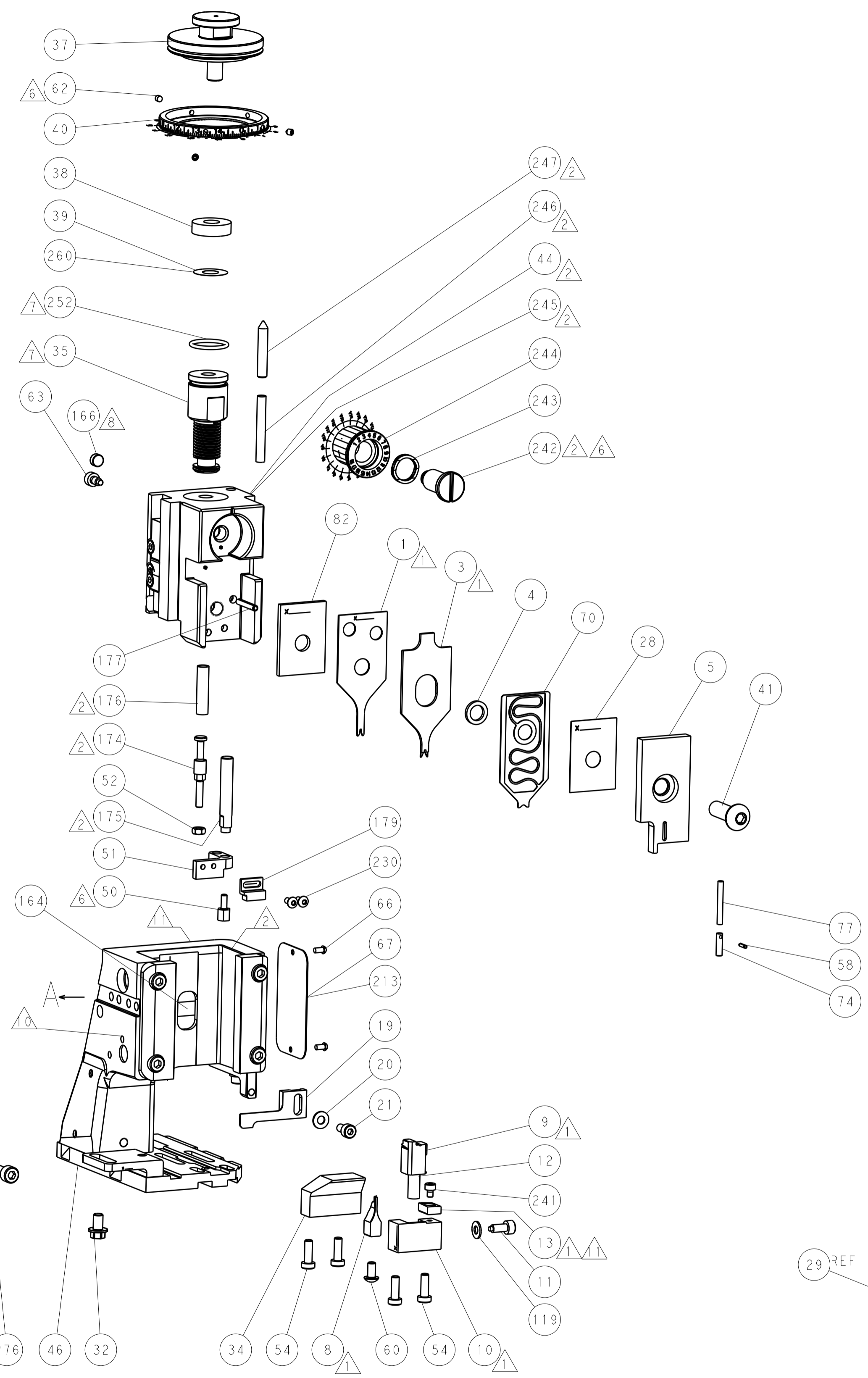
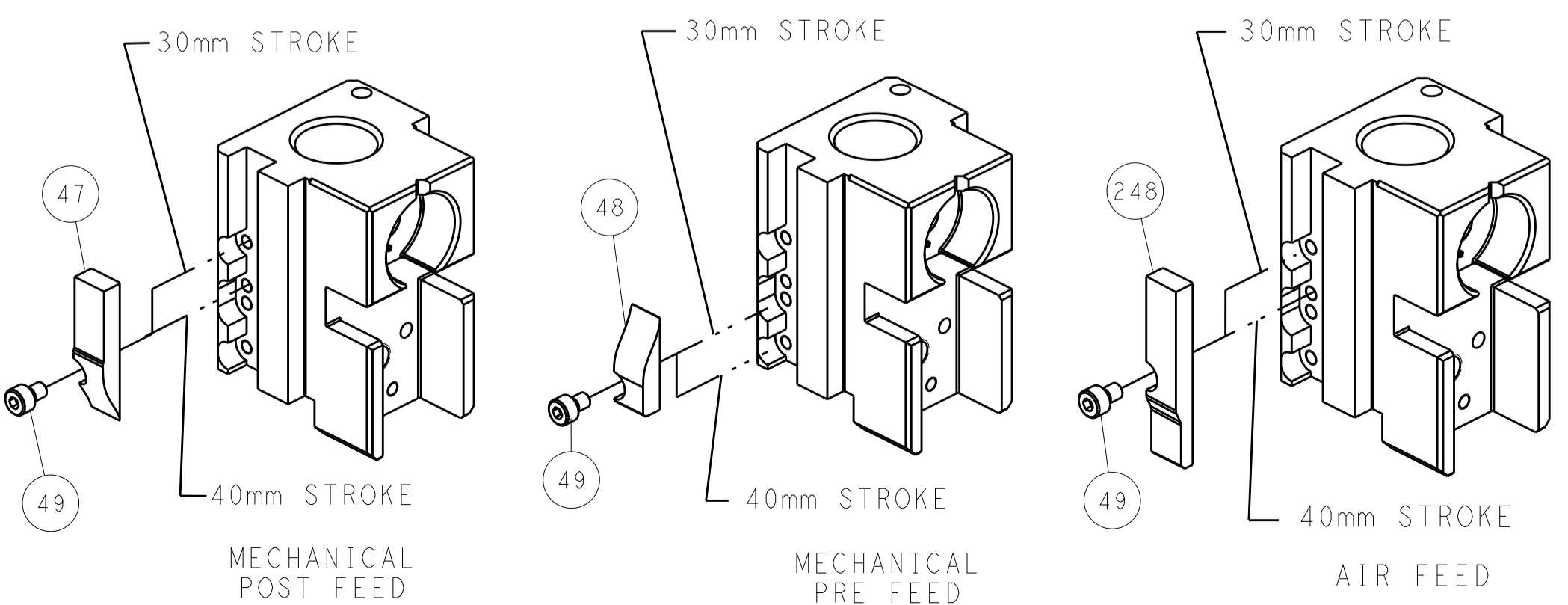
### PNEUMATIC



### SERVO LATCH PLATE



### CAM POSITIONS



**ATLANTIC VERSION**  
 Shown on sheets 1 of 4 & 2 of 4  
 (Pacific version shown on sheets 3 of 4 & 4 of 4)

DIMENSIONS:		TOLERANCES UNLESS OTHERWISE SPECIFIED:		DWN L. ZHANG 21MAY2012		TE Connectivity	
mm	0 PLC ±.5	1 PLC ±0.5	2 PLC ±0.13	3 PLC ±0.013	4 PLC ±0.001	APVD S. XI 21MAY2012	Harrisburg, PA 17105-3608
MATERIAL:		FINISH:		NAME Ocean Side Feed Applicator		RESTRICTED TO	
Customer Accessible Production Drawing		SCALE 1:2		SHEET 2 OF 4		REV B	

PACIFIC VERSION TERMINATOR INTERFACE ADAPTER	PART NUMBER	REVISION	DESCRIPTION	FEED TYPE	APPLICATOR STYLE CONVERSION CHART						
					CONVERT TO	PART NUMBERS REQUIRED					
	2-2151672-1	B	FINE CRIMP HEIGHT ADJUST	MECHANICAL	PNEUMATIC FEED	2119950-1	1338685-1	5-18022-5	2119641-2	2119799-1	2063440-1
					SERVO LATCH PLATE	2119951-1	-	8-2151672-5	1901094-3	-	2168400-6 (QUANTITY 2)
	2-2151672-2	B	FINE CRIMP HEIGHT ADJUST	PNEUMATIC	MECHANICAL FEED	2119949-1	1338685-1	5-18022-5	2119653-2	-	-
					SERVO LATCH PLATE	2119951-1	-	8-2151672-5	1901094-3	-	2168400-6 (QUANTITY 2)
2-2151672-5	B	FINE CRIMP HEIGHT ADJUST	SERVO LATCH PLATE	MECHANICAL FEED	2119949-1	1338685-1	5-18022-5	2119653-2	-	-	
2-2151672-7	B	FINE CRIMP HEIGHT ADJUST	NONE	PNEUMATIC FEED	2119950-1	1338685-1	5-18022-5	2119641-2	2119799-1	2063440-1	
7-2151672-7	A	CRIMP TOOLING KIT	-	-	-	-	-	-	-	-	

APPLICATOR DATA		
CRIMP WIRE	SIZE	TYPE
INSUL	1.00 mm [.039]	O
APPLICATOR INSTRUCTIONS 408-10389		

TERMINAL DATA: TE TERMINAL		TE CRIMP SPECIFICATION
TERMINAL NAME: CABLE PLUG CONTACT, 1.5CL WIRE TO BOARD CONNECTOR		
WIRE STRIP LENGTH 1.10-1.50 mm [.043-.059 IN]		INSULATION DIAMETER RANGE Ø0.80-1.00 mm [.031-.039 IN]
TERMINAL APPLICATION SPECIFICATION 114-99005	-	-
TERMINALS APPLIED		
TE TERMINAL 2129408-1	TE TERMINAL	TE TERMINAL

WIRE SIZE	CRIMP HEIGHT mm [INCH]	CRIMP HEIGHT REFERENCE SETTING
24 AWG OR 0.20mm2	0.61+/-0.03 [0.024+/-0.001]	9.2
26 AWG OR 0.14mm2	0.56+/-0.03 [0.022+/-0.001]	9.7
28 AWG OR 0.09mm2	0.51+/-0.03 [0.020+/-0.001]	10.3

- RECOMMENDED SPARE PARTS
- GREASE BEARING SURFACES LIGHTLY
- 3. LUBRICATE DAILY PER THE APPLICATOR INSTRUCTION SHEET SUPPLIED WITH THE APPLICATOR.
- APPLICATOR SPECIFIC DATA TO BE ENTERED INTO BLANK MEMORY CHIP AT ASSEMBLY. SEE BELOW FOR PART NUMBER:  
 MECHANICAL FEED WITH "SMART APPLICATOR" CONVERSION: 8-2151672-4  
 PNEUMATIC FEED WITH "SMART APPLICATOR" CONVERSION: 8-2151672-4  
 SERVO FEED WITH "FINE CRIMP HEIGHT ADJUST": 8-2151672-5
- 5. ADJUSTMENT OF THE STRIPPER MAY BE REQUIRED WHEN MOVING THE APPLICATOR BETWEEN BENCH AND LEADMAKER APPLICATIONS.
- APPLY PART NUMBER 1-23419-5 LOCTITE TO THREADS OF ITEMS 50, 62 & 242.
- GREASE THREADS, GROOVE AND O-RING ON ITEMS 139 & 152.
- MAGNET MUST BE ORIENTED CORRECTLY IN ORDER TO PROPERLY ACTUATE THE COUNTER.
- CRIMP HEIGHT REFERENCE SETTING WAS THE SETTING USED WHEN THE APPLICATOR WAS QUALIFIED AT THE FACTORY. ADJUSTMENT MAY BE NECESSARY WHEN RUNNING APPLICATOR IN THE FIELD.
- SPARE FEED CAM STORAGE LOCATION REFER TO INSTRUCTION SHEET FOR ADDITIONAL INFORMATION.
- TO CONVERT THE APPLICATOR TO A NON-CARRIER CUTTING STYLE, REMOVE ITEM 13 AND ATTACH TO THE LOCATION ON BACK SIDE OF THE HOUSING. REFER TO INSTRUCTION SHEET FOR ADDITIONAL INFORMATION.

**\*WARNING**  
 ON INSTALLATION, SET WIRE DISC, ITEM 40 TO LARGEST WIRE SIZE SETTING. USE OF SETTINGS BELOW MINIMUM REQUIRED CRIMP HEIGHT SETTING WILL CAUSE DAMAGE TO CRIMP TOOLING.

- 2 2 2 2	22283-1	SPRING, COMPRESSION	279
- 2 2 2 2	2-18032-5	SCR, SET, FLT POINT M5 X 20.0	278
- 1 1 1 1	1-22281-8	SPRING, COMPRESSION	277
- 1 1 1 1	2168083-6	SCR, SKT HD CAP, RoHS, M5 X 65	276
- 1 1 1 1	980371-4	SCR, SKT HD SHLDR 5.0 DIA X 6.0	275
- 1 1 1 1	356835-1	LEVER, DRAG RELEASE	274
- 1 1 1 1	240792-1	DRAG, TERMINAL	273
- 2 2 2 2	2168083-1	SCR, SKT HD CAP, RoHS, M3 X 8.0	271
- 1 1 1 1	1-690438-0	FRONT STRIP GUIDE	270
- 1 1 1 1	2119782-1	FINE ADJUST HEAD ASM, PACIFIC STYLE	251
- - - -	2119640-1	PUSH ROD, AIR FEED	250
- - - -	2079988-1	BUSHING, LCH5-12, MISUMI	249
- 1 1 1 1	1-22279-3	SPRING, COMPRESSION	246
- 1 1 1 1	2119082-9	CAM, SNAIL, INSULATION ADJUSTMENT	244
- 1 1 1 1	2079764-1	WASHER, WAVE SPRING, CREST-TO-CREST	243
- 1 1 1 1	2119083-1	RETAINER, INSULATION DIAL	242
- 1 1 1 1	7-18023-7	SCR, SKT HD CAP M3 X 4.0	241
- - 2 -	2168400-6	SHCS, LOW HEAD, RoHS, M5 X 16	240
- - - -	2119580-1	MECHANICAL FEED ASSEMBLY	239
-77 -27 -25 -22 -21	PART NO	DESCRIPTION	ITEM NO

**PACIFIC VERSION**  
 Shown on sheets 3 of 4 & 4 of 4  
 (Atlantic version shown on sheets 1 of 4 & 2 of 4)

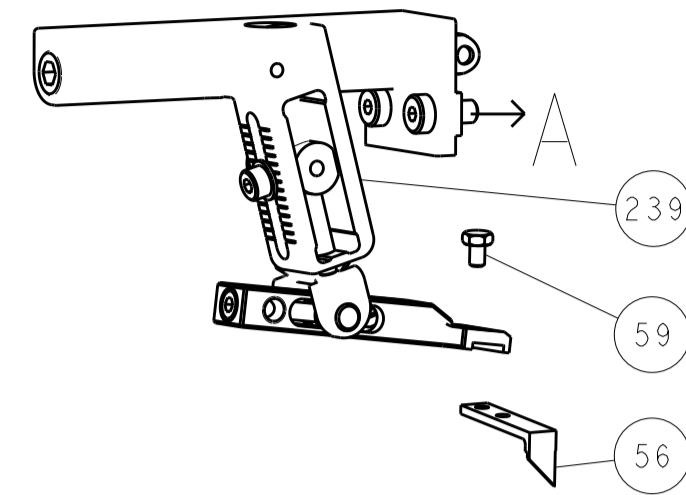
SET UP GAUGE	LOC	DIST	REVISIONS			
2119599-1	A	66	P	L	D	APVD
			-	SEE SHEET 1	-	-

- - - 1 -	2063440-1	AIR FEED MODULE	238
- 2 2 2 2	1-2079383-0	SCR, BHSC, RoHS (M3 X 6)	230
- - - 1 -	2119740-2	TAG, IDENTIFICATION	213
- - - 1 -	1901094-3	SPACER, FEEDER	198
- 1 1 1 1	1-1976053-0	LOCATER BLOCK, TERMINAL	179
- 1 1 1 1	993111-1	PIN, SLOTTED SPRING 3.0 X 20.0	177
- 1 1 1 1	8-22280-7	SPRING, COMPRESSION	176
- 1 1 1 1	1752353-2	GUIDE PIN, HOLDDOWN	175
- 1 1 1 1	1901680-2	GUIDE PIN, HOLDDOWN	174
- - - 2 -	21045-3	RING, RETAIN, EXTERN, 3/16 CRESCENT	172
- 1 1 1 1	994969-1	MAGNET, RARE EARTH HIGH ENERGY	166
- REF REF REF REF	994970-2	COUNTER, MAGNETIC	164
- - - 1 -	240638-1	SPRING, FEED FINGER	163
- 1 1 1 1	8-21084-1	O-RING, .801 ID, .070 DIA. MAT.	152
- - - 1 -	2119641-2	FEED CAM, AIR FEED	151
- 1 1 1 1	2119798-2	DETENT PIN	145
- 1 1 1 1	2079383-8	SCR, BHSC, RoHS (M4 X 16)	144
- 4 4 4 4	2168400-5	SHCS, LOW HEAD, RoHS, M4 X 20	143
- - - - 1	2119653-2	FEED CAM, POST FEED	142
- 1 1 1 1	1-2119656-0	APPLICATOR BASIC ASSEMBLY, SF	141
- 1 1 1 1	2119650-1	RAM, ASIAN STYLE, SIDE FEED	140
- 1 1 1 1	2119092-2	BOLT, ADJUSTMENT	139
- - - 1 -	3-23627-7	PIN, RETAIN, GRVD, 3/16 X .854	137
- - - 1 -	2119799-1	HOLDER, FEED FINGER, AF	136
- - REF - -	SEE NOTE 4	MEMORY CHIP, PROGRAMMED	135
- - 1 - -	1633743-1	SERVO FEED LATCH ASM	133
- 1 1 1 1	1-18028-2	WASHER, FLAT, REG M4	119
- - REF - -	2119944-1	FEED FINGER ASSEMBLY, SF	117
- 1 1 1 1	2119955-1	ASSY, LUBRICATOR, SIDE FEED	113
- 1 1 1 1	2-455888-3	SPACER, CRIMPER	82
- 1 1 1 1	5-547505-2	SPRING, COMPRESSION	77
- 1 1 1 1	854769-4	HOLDER, INS	74
- 1 1 1 1	2119956-1	DOCUMENTATION PACKAGE	71
- 1 1 1 1	2119791-5	DEPRESSOR, WIRE	70
- 1 - 1 1	2119740-1	TAG, IDENTIFICATION	67
- 2 2 2 2	2168078-1	SCREW, DRIVE, RH, RoHS	66
- 1 1 1 1	2119793-1	LIMITER, ADJUSTMENT BOLT	63
- 3 3 3 3	992763-5	SCR, SET, SOC, CONE POINT, M3 X 4.0	62
- - - 1 1	5-18022-5	SCR, HEX HD CAP, M4 X 6.0	59
- 1 1 1 1	21028-2	PIN, SLOTTED SPRING .062 X .250	58
- - - 1 1	1338685-1	PAWL, FEED	56
- 1 1 1 1	1-5018030-0	NUT, HEX, REG, RoHS, M3.5	52
- 1 1 1 1	1-1901681-0	HOLDDOWN, TERMINAL	51
- 1 1 1 1	1752354-8	STANDOFF, HOLD-DOWN	50
- - - 1 2	18023-9	SCR, SKT HD CAP M4 X 6.0	49
- - - - 1	2119652-1	FEED CAM, PRE FEED	48
- 1 1 1 1	2079383-7	SCR, BHSC, RoHS (M8 X 25)	41
- 1 1 1 1	2119645-1	DISC, NUMBERED FA WIRE ADJUSTMENT	40
- 1 1 1 1	2119957-1	APPLICATOR SHIM PACK	39
- 1 1 1 1	2119644-1	RAM WASHER, PRECISION	38
- 1 1 1 1	4-1752356-3	SUPPORT, TERMINAL	34
- 2 2 2 2	2079383-5	SCR, BHSC, RoHS (M4 X 20)	33
- 1 1 1 1	2161328-1	HEX HEAD, FLANGED, M5 X 8mm LONG	32
- 1 1 1 1	1320908-4	SPACER, STRIP GUIDE	30
- 1 1 1 1	2-1901086-0	PLATE, STRIP GUIDE	29
- 1 1 1 1	455888-3	SPACER, CRIMPER	28
- 1 1 1 1	1320928-2	STRIP GUIDE	24
- 1 1 1 1	2168083-2	SCR, SKT HD CAP, RoHS, M4 X 8.0	21
- 1 1 1 1	1-18028-2	WASHER, FLAT, REG M4	20
- 1 1 1 1	2119533-3	STRIPPER, SIDE FEED	19
- 1 1 1 1	2119806-1	INSERT, SHEAR	13
- 1 1 1 1	3-22280-3	SPRING, COMPRESSION	12
- 1 1 1 1	1-356885-4	STOP, SHEAR	11
- 1 1 1 1	2119805-1	SHEAR HOLDER, FRONT	10
- 1 1 1 1	1633861-1	SHEAR, FLOATING	9
- 1 1 1 1	1633931-1	ANVIL, COMBINATION	8
- - - -	-	-	7
- - - -	-	-	6
- 1 1 1 1	2119780-9	DEPRESSOR, SHEAR	5
- 1 1 1 1	1-238011-6	BLOCK, CRIMPER SPACER	4
- 1 1 1 1	2-1633962-4	CRIMPER, INSULATION F PREMIUM	3
- - - -	-	-	2
- 1 1 1 1	2-1633713-8	CRIMPER, WIRE PREMIUM	1
-77 -27 -25 -22 -21	PART NO	DESCRIPTION	ITEM NO

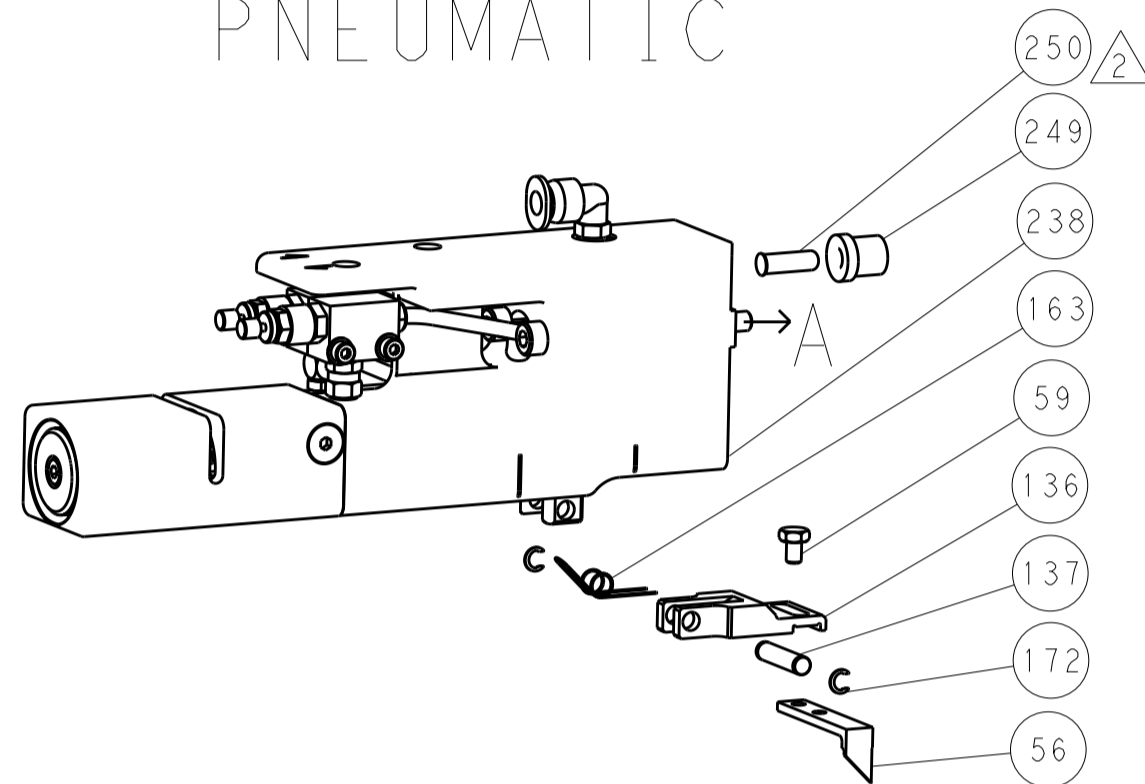
DIMENSIONS:		TOLERANCES UNLESS OTHERWISE SPECIFIED:		OWN: L. ZHANG 21MAY2012	TE Connectivity Harrisburg, PA 17105-3608
mm		0 PLC ±.5 1 PLC ±0.5 2 PLC ±0.13 3 PLC ±0.013 4 PLC ±0.001 ANGLES ±.1		CHK: L. ZHANG 21MAY2012	
MATERIAL:		FINISH:		APVD: S. XI 21MAY2012	NAME: Ocean Side Feed Applicator
				PRODUCT SPEC:	SIZE: A1
				APPLICATION SPEC:	CAGE CODE: 00779
				WEIGHT:	DRAWING NO: ©=2151672
				Customer Accessible Production Drawing	RESTRICTED TO: REV B

LOC		DIST		REVISIONS			
A	66	P	LTM	DESCRIPTION	DATE	OWN	APVD
		-	-	SEE SHEET 1	-	-	-

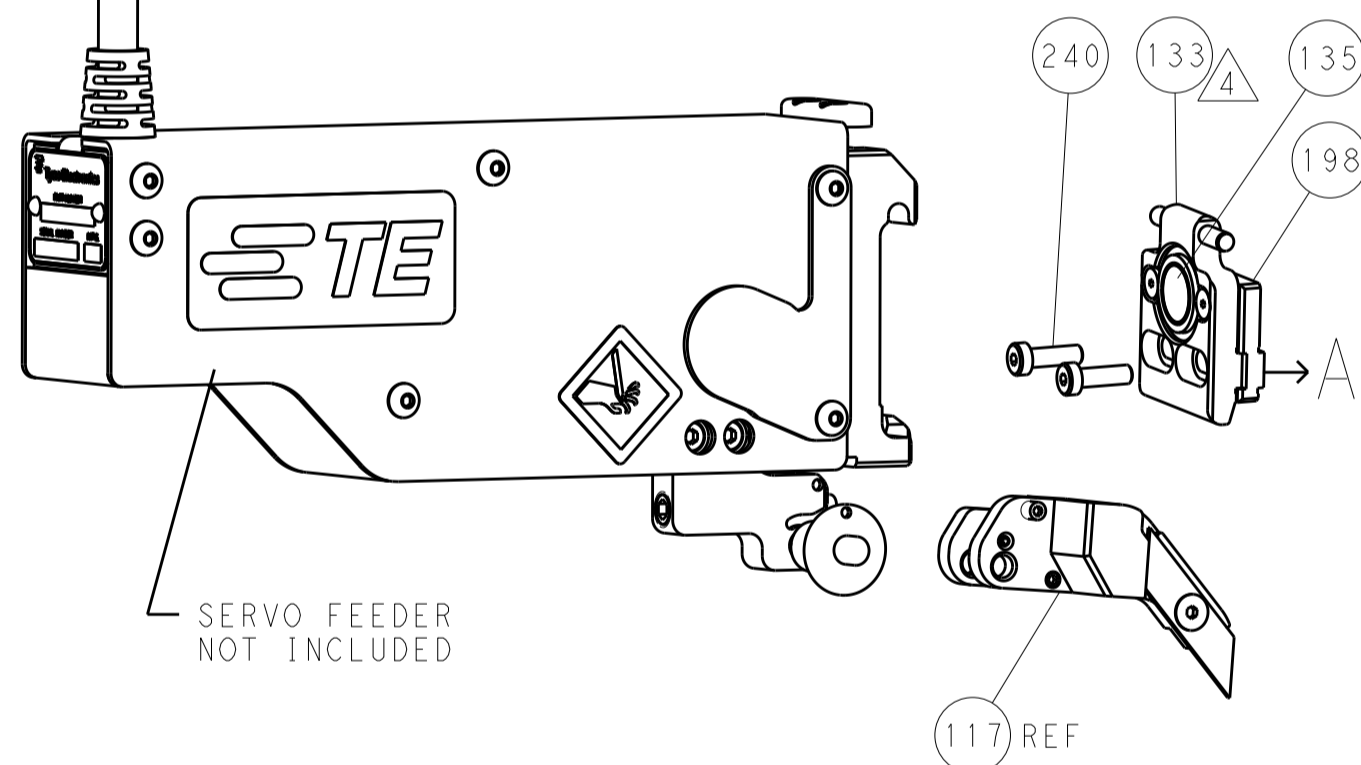
### FEED TYPE MECHANICAL



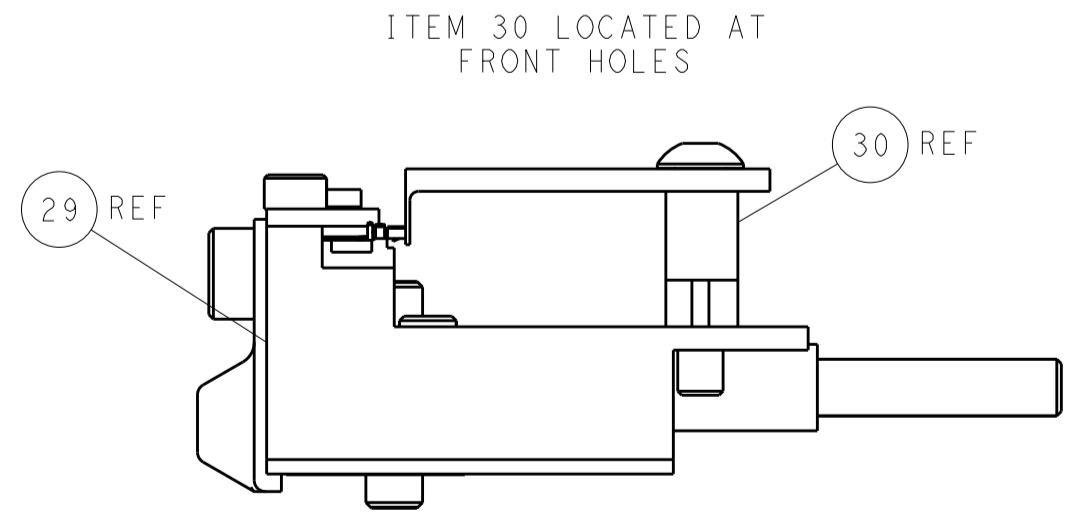
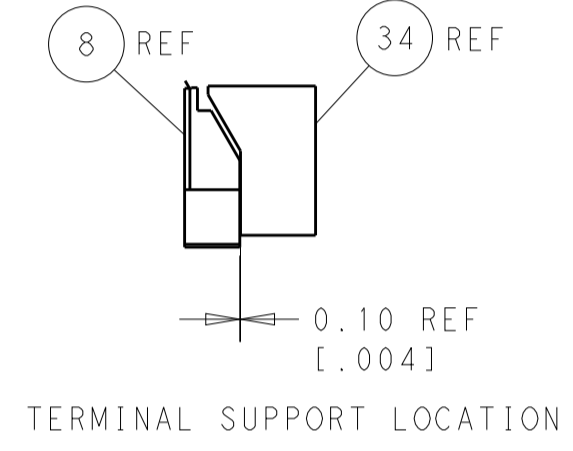
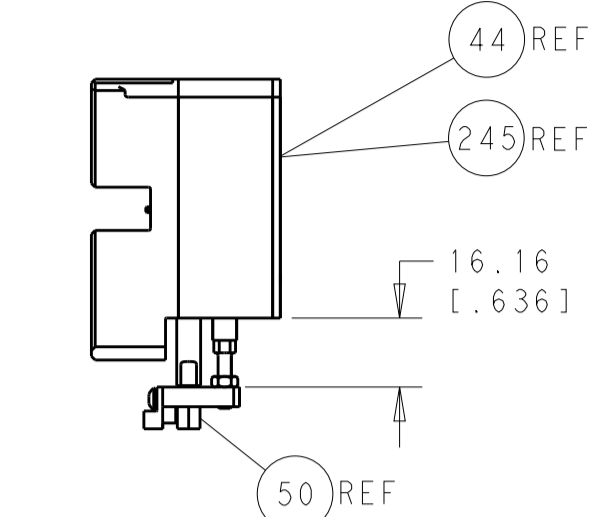
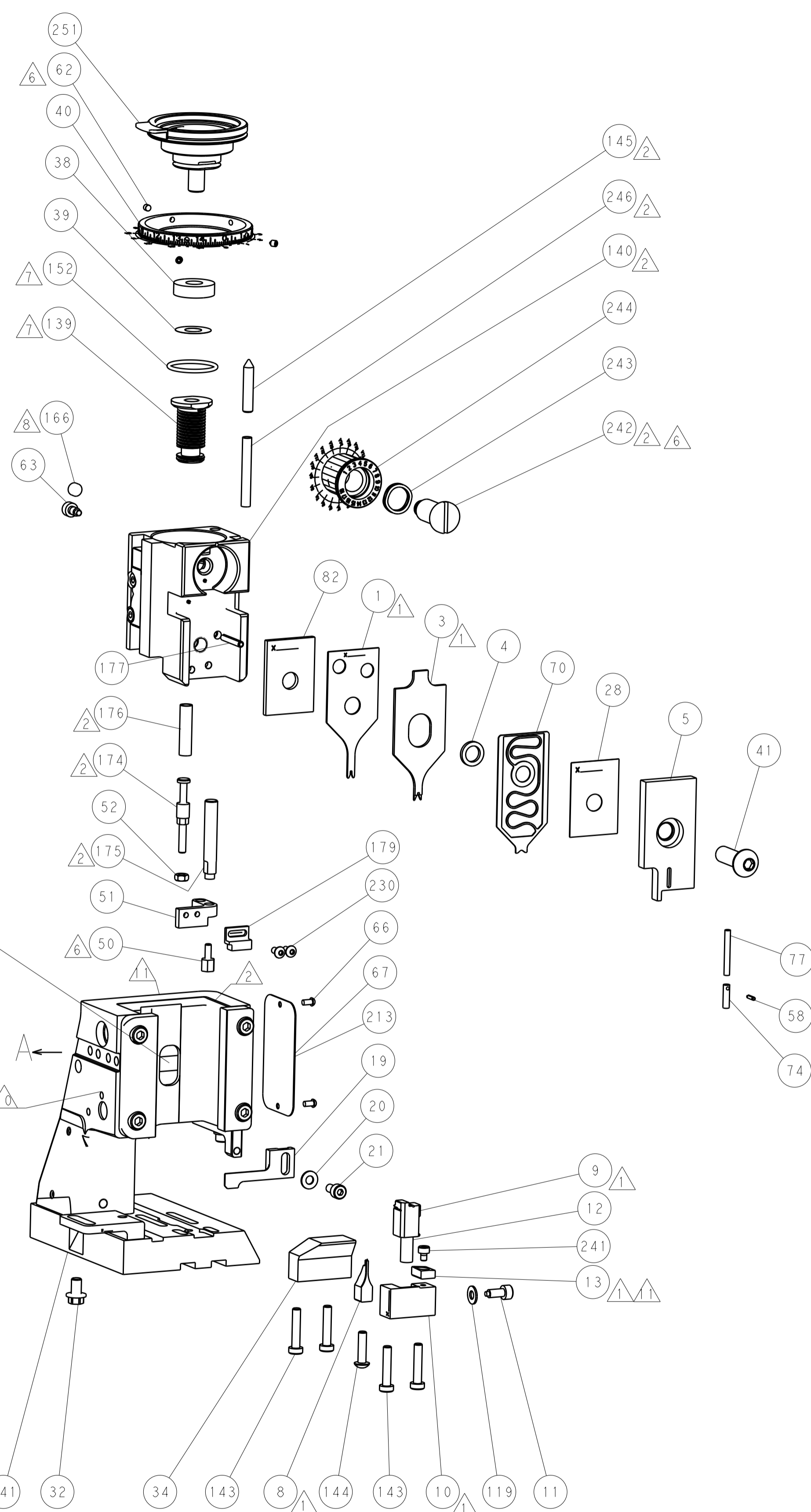
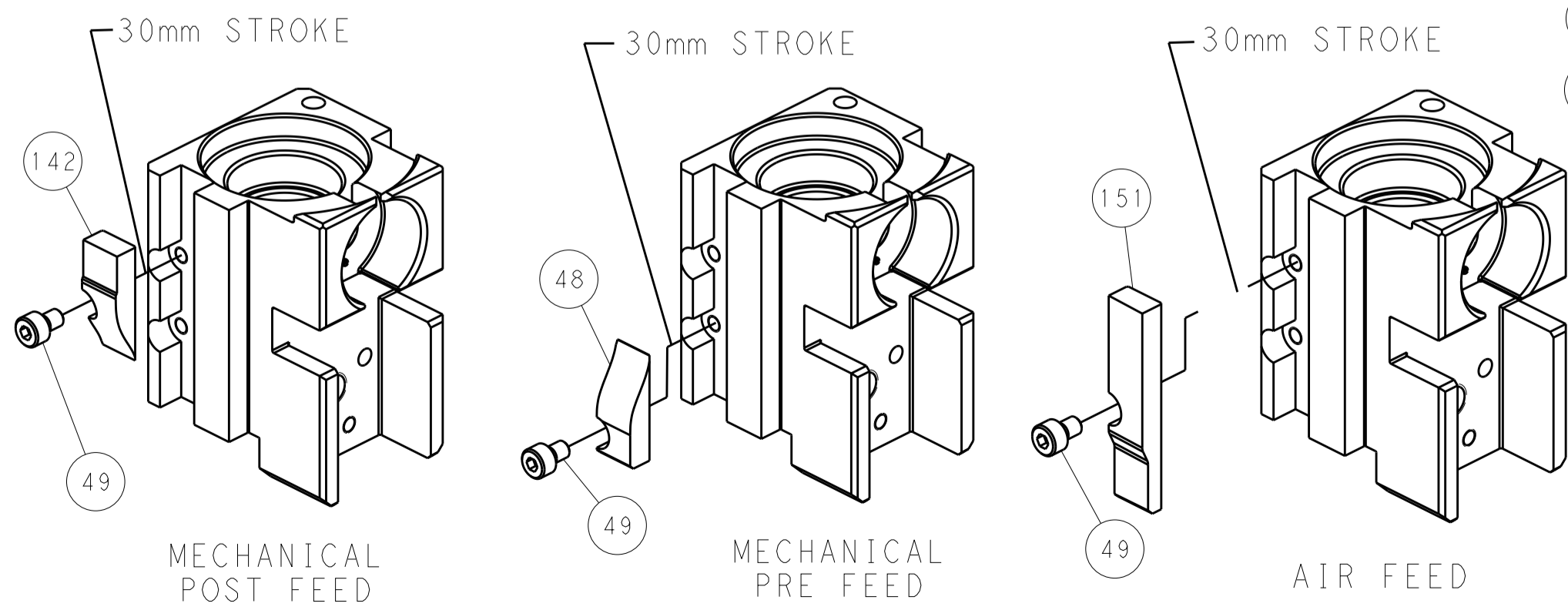
### PNEUMATIC



### SERVO LATCH PLATE



### CAM POSITIONS



**PACIFIC VERSION**  
 Shown on sheets 3 of 4 & 4 of 4  
 (Atlantic version shown on sheets 1 of 4 & 2 of 4)

DIMENSIONS: mm 		TOLERANCES UNLESS OTHERWISE SPECIFIED: 0 PLC ±.5 1 PLC ±0.13 3 PLC ±0.013 4 PLC ±0.001 ANGLES ±.1		DWN L. ZHANG 21MAY2012 CHK L. ZHANG 21MAY2012 APVD S. XI 21MAY2012		NAME Ocean Side Feed Applicator	
MATERIAL:		FINISH:		WEIGHT:		SIZE: CAGE CODE DRAWING NO. RESTRICTED TO A1 00779 C=2151672	
Customer Accessible Production Drawing				SCALE: 1:2		SHEET 4 OF 4 REV B	

DIMENSIONING AND TOLERANCING PER ASME Y14.5M-2003