

RL-9750-4HM

THRU-HOLE AC LINE FILTER

DESCRIPTION

- Thru-Hole AC Line Filter

ENVIRONMENTAL DATA

- Storage temperature range: -55°C to +130°C
- Operating temperature range: -40°C to +130°C

PACKAGING INFORMATION

- Packaging information: pg. 495

FEATURES & APPLICATIONS

- Low profile
- High self-resonant frequency
- High impedance at applicable frequency
- Dielectric withstanding voltage rated at 2500 VAC line to line
- Used in medium wattage AC-DC power supplies

Verify operation with sample in actual circuit. Order samples at www.rencousa.com.

MECHANICAL DIMENSIONS

U.S. Standard (mm)

PART NUMBER	A (MAX.)	B (MAX.)	C (TYP.)	D ±0.02 (0.50)	E (MAX.)	F ±0.02 (0.50)
RL-9750-4HM	0.99 (25.00)	0.81 (20.50)	0.20 (5.00)	0.83 (21.00)	0.98 (26.00)	0.60 (15.00)

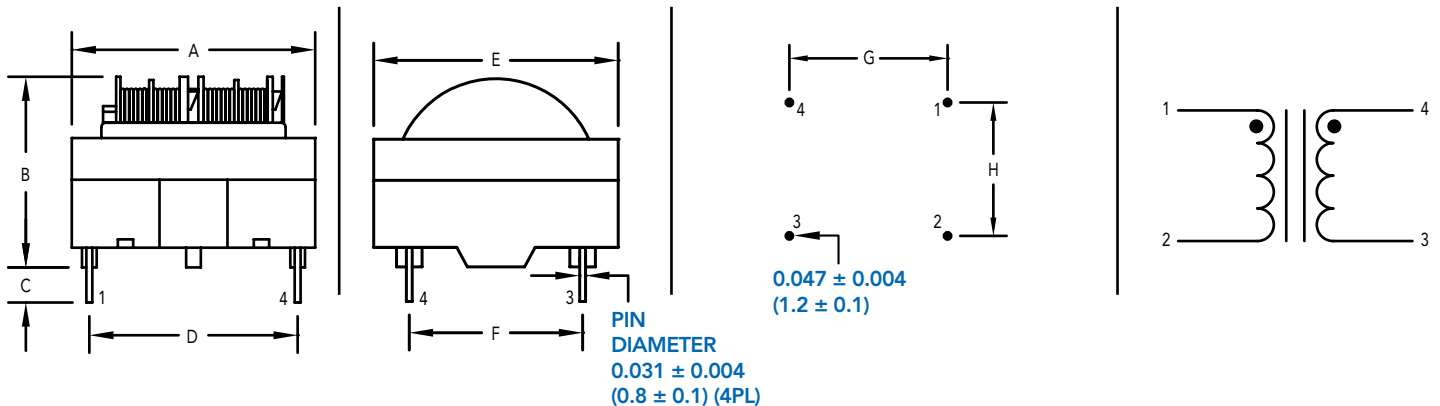
PART NUMBER	PART WEIGHT	G ±0.004 (0.10)	H ±0.002 (0.10)
RL-9750-4HM	17.0g (0.60oz)	0.83 (21.00)	0.60 (15.00)

FRONT VIEW

SIDE VIEW

RECOMMENDED LAND PATTERN

SCHEMATIC



RENCO ELECTRONICS INC.

595 International Place, Rockledge, FL 32955-4200 USA • www.rencousa.com • ISO 9001 Certified
Toll Free Engineering Hot Line: 800.645.5828 • P: 321.637.1000 • F: 321.637.1600



RL-9750-4HM

Renco Part No. RL-9750-4HM	Inductance (mH) Min.	DCR (Ohms) ± 20%	Irms (A) Max.
RL-9750-4HM-3.0	3.0	0.050	3.5
RL-9750-4HM-3.8	3.8	0.068	3.0
RL-9750-4HM-8.0	8.0	0.135	2.0
RL-9750-4HM-35.0	35.0	0.620	1.0

NOTES:

1. ELECTRICAL SPECIFICATIONS MEASURED AT 25°C
2. Irms - CURRENT THAT CAUSES THE TEMPERATURE TO RISE APPROX. 40°C ABOVE AMBIENT OF 25°C
3. INDUCTANCE TESTED AT 10 kHz, 0.1 Vrms

